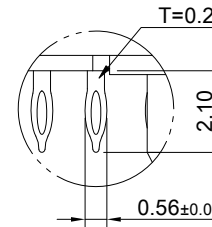
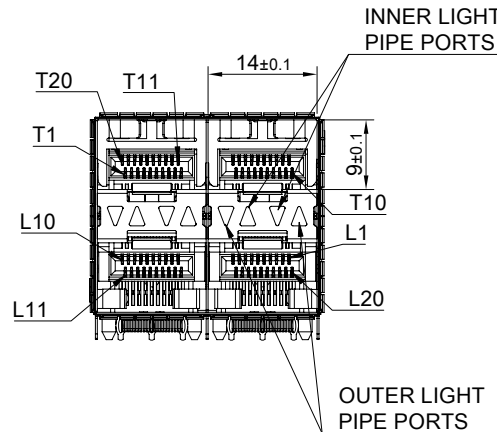
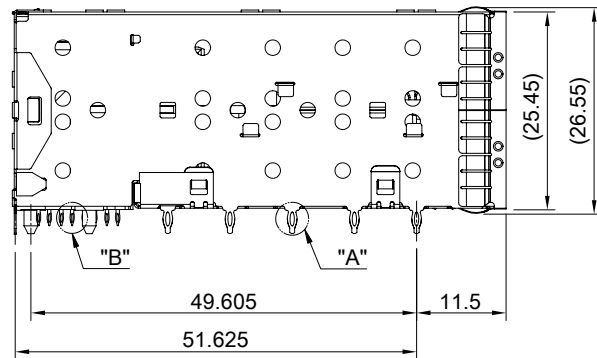
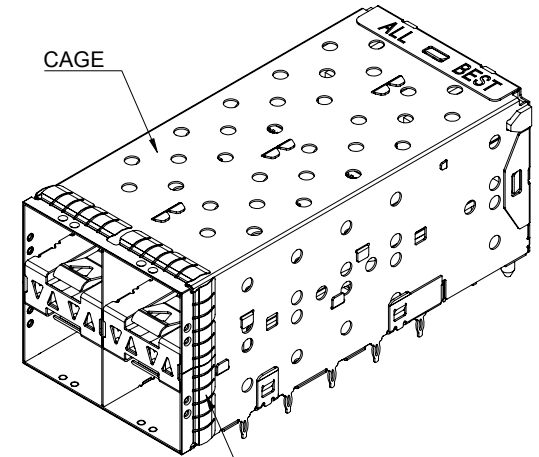


DETAIL A
SCALE 5:1



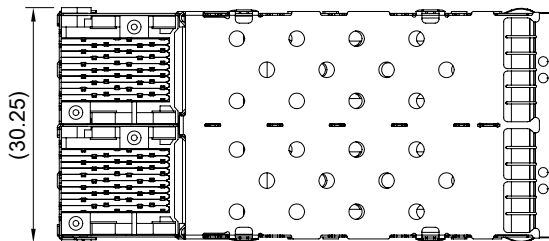
DETAIL B
SCALE 5:1



MATERIAL
 CAGE: NICKEL SILVER
 LIGHT PIPE: PC (CLEAR)
 CONNECTOR: LCP 94V-0
 COPPER ALLOY
 EMI SPRING: STAINLESS STEEL

FINISH
 CONTACT: 15µ" MIN. GOLD ON MATING END;
 30µ" MIN. MATTE TIN ON TERMINATION END;
 ALL UNDERPLATED 50µ" MIN. NICKEL

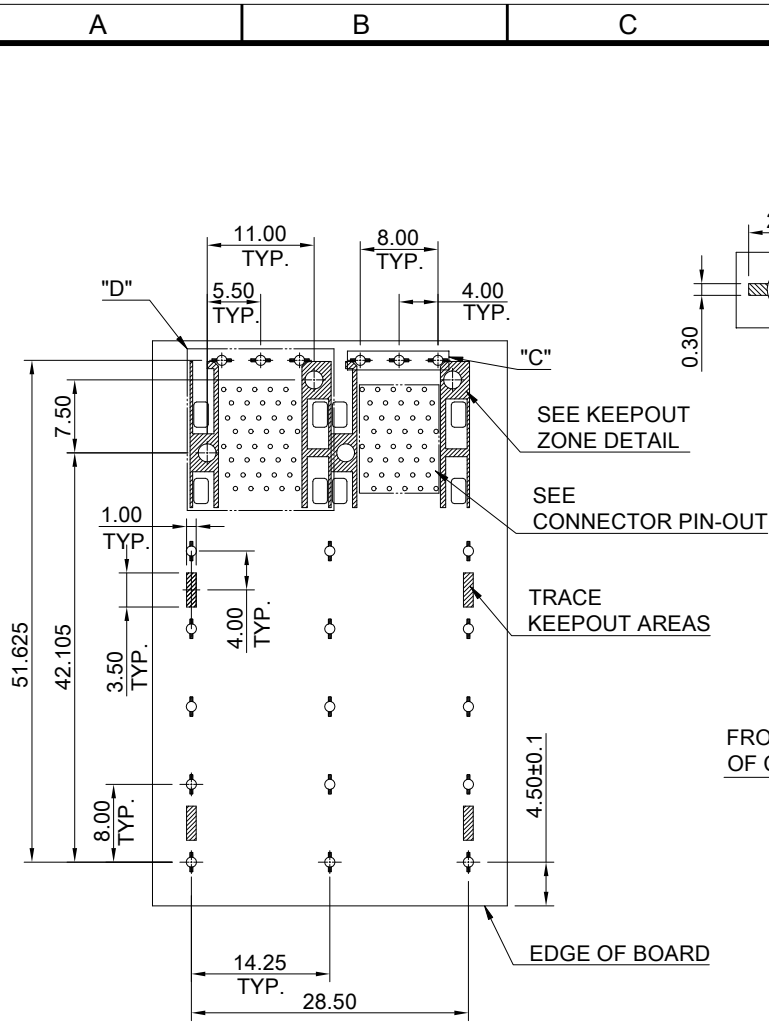
ELECTRICAL CHARACTERISTICS
 CONTACT CURRENT RATING: 0.5 AMPERE
 VOLTAGE RATING: 30 VAC
 CONTACT RESISTANCE: 80 mΩ MAX.
 DIELECTRIC WITHSTANDING VOLTAGE: 300VAC



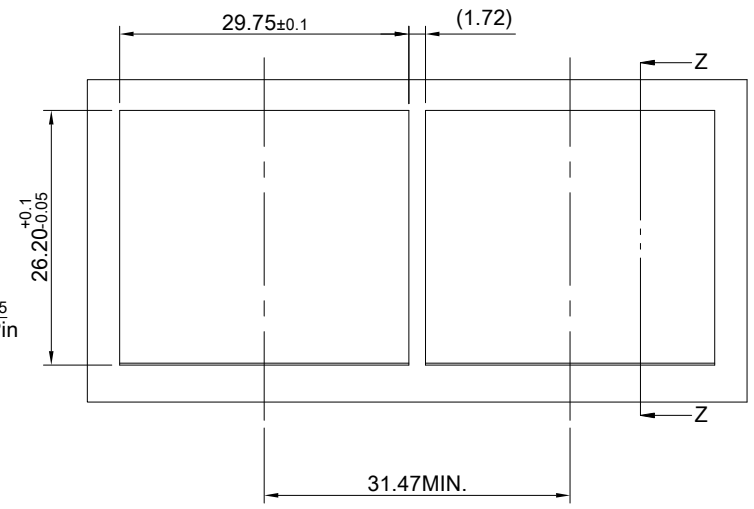
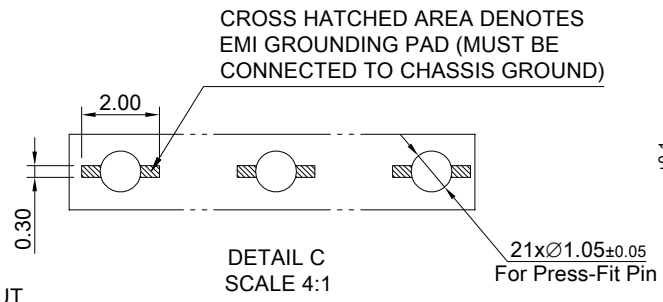
TITLE: Stacked SFP+ 2X2 ASS'Y w/ Internal Thermal Solution & Light Pipe

DWG#: R-OP-008080-7-F-N2-62

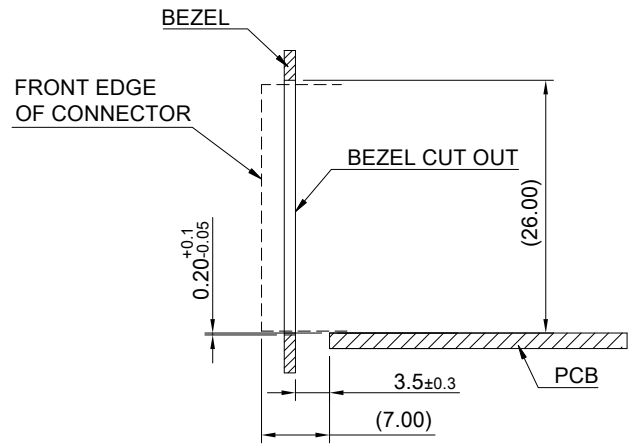
UNIT: mm	SCALE: A4 1:1	FINISH:	SHEET: 1/3	REV. D
THIRD ANGLE PROJECTION			CHECKED: <i>Gary Kang</i>	
TOLERANCE: Angle: ± 1° X ± 0.25 .X ± 0.20 .XX ± 0.15		MATERIAL: RoHS Compliant	APPROVED: <i>George Yang</i>	
DRAWN: Laura			DATE: 02/15/2022	



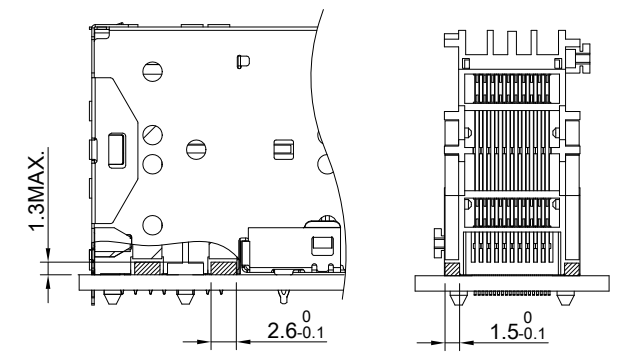
RECOMMENDED PCB LAYOUT
 TOLERANCE: ±0.05
 MINIMUM PCB THICKNESS OF 1.57MM



RECOMMENDED BEZEL CUT-OUT SPACING DETAIL
 BEZEL THICKNESS 0.8~2.6MM

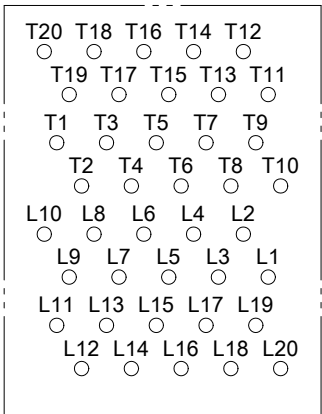
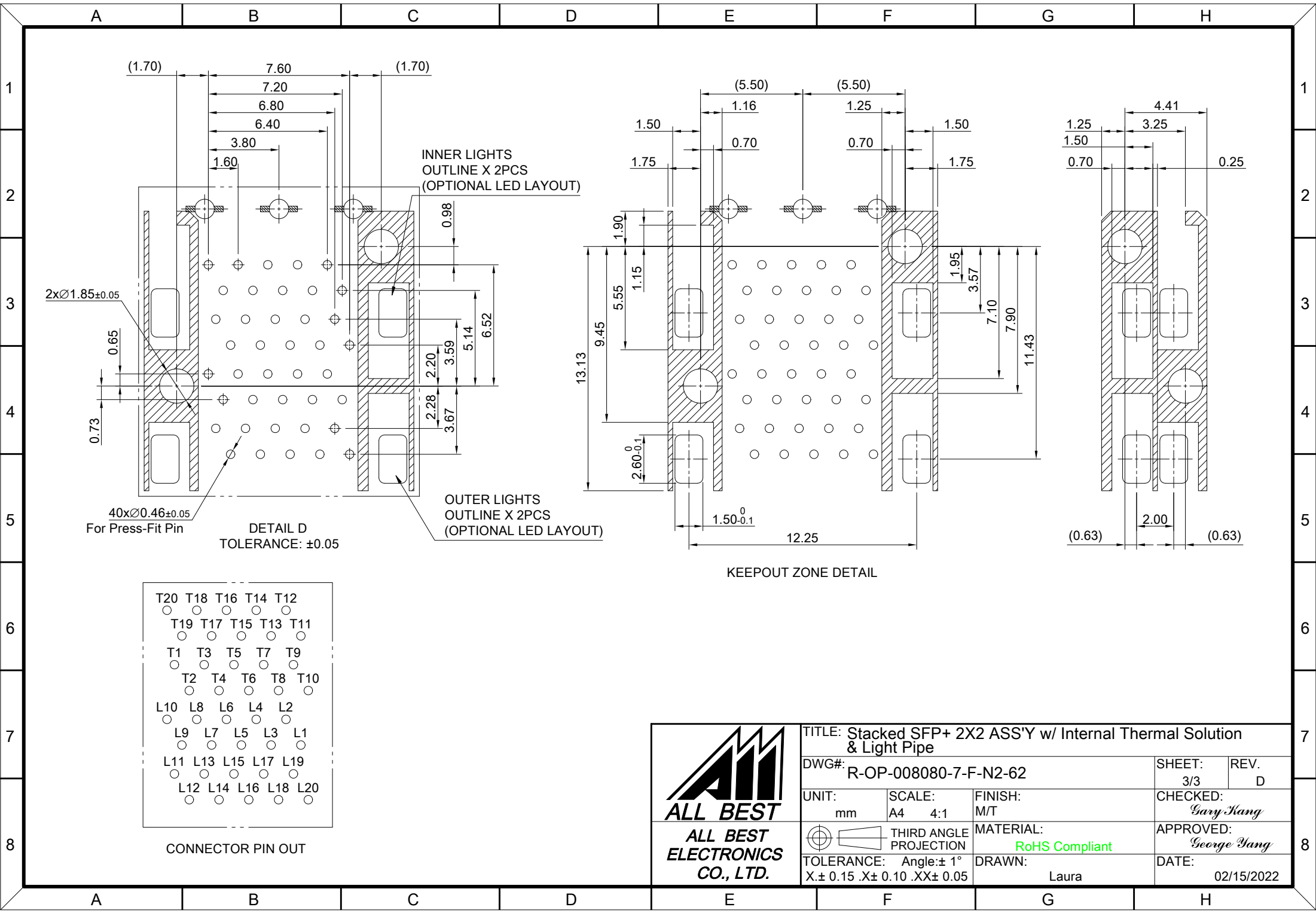


SECTION Z-Z



LED CLEARANCE REQUIREMENTS

 ALL BEST ELECTRONICS CO., LTD.	TITLE: Stacked SFP+ 2X2 ASS'Y w/ Internal Thermal Solution & Light Pipe			SHEET: 2/3		REV. D
	DWG#: R-OP-008080-7-F-N2-62			CHECKED: Gary Yang		
	UNIT: mm	SCALE: A4 5:4	FINISH:	APPROVED: George Yang		
	TOLERANCE: Angle: ±1° X: ±0.15 .X: ±0.10 .XX: ±0.05		MATERIAL: RoHS Compliant	DRAWN: Laura		DATE: 02/15/2022



TITLE: Stacked SFP+ 2X2 ASS'Y w/ Internal Thermal Solution & Light Pipe			
DWG#: R-OP-008080-7-F-N2-62		SHEET: 3/3	REV. D
UNIT: mm	SCALE: A4 4:1	FINISH: M/T	CHECKED: Gary Yang
THIRD ANGLE PROJECTION		MATERIAL: RoHS Compliant	APPROVED: George Yang
TOLERANCE: Angle: $\pm 1^\circ$ X: ± 0.15 .X: ± 0.10 .XX: ± 0.05		DRAWN: Laura	DATE: 02/15/2022