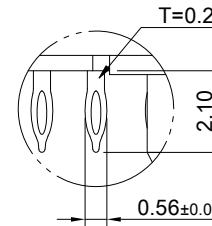
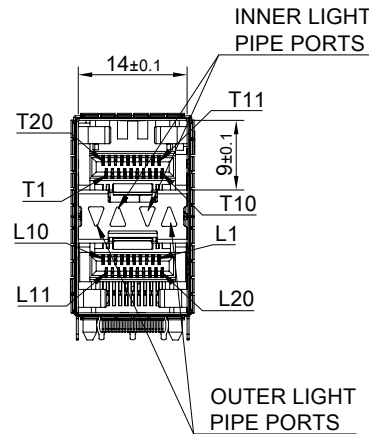
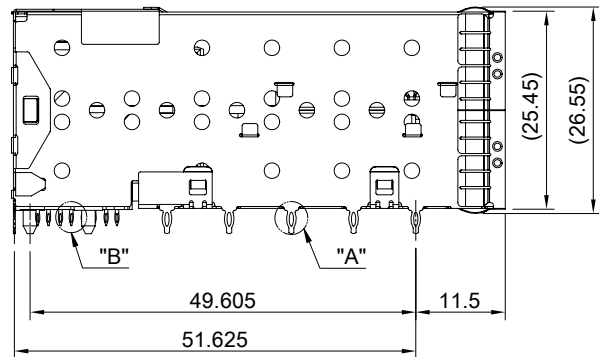
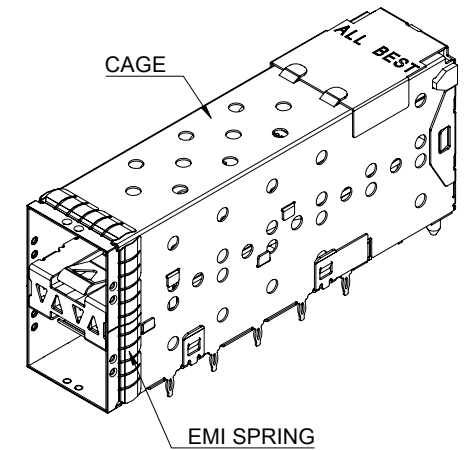


DETAIL A
SCALE 5:1



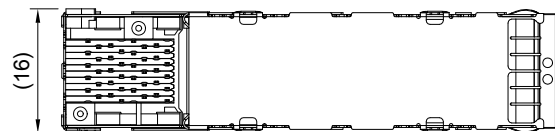
DETAIL B
SCALE 5:1



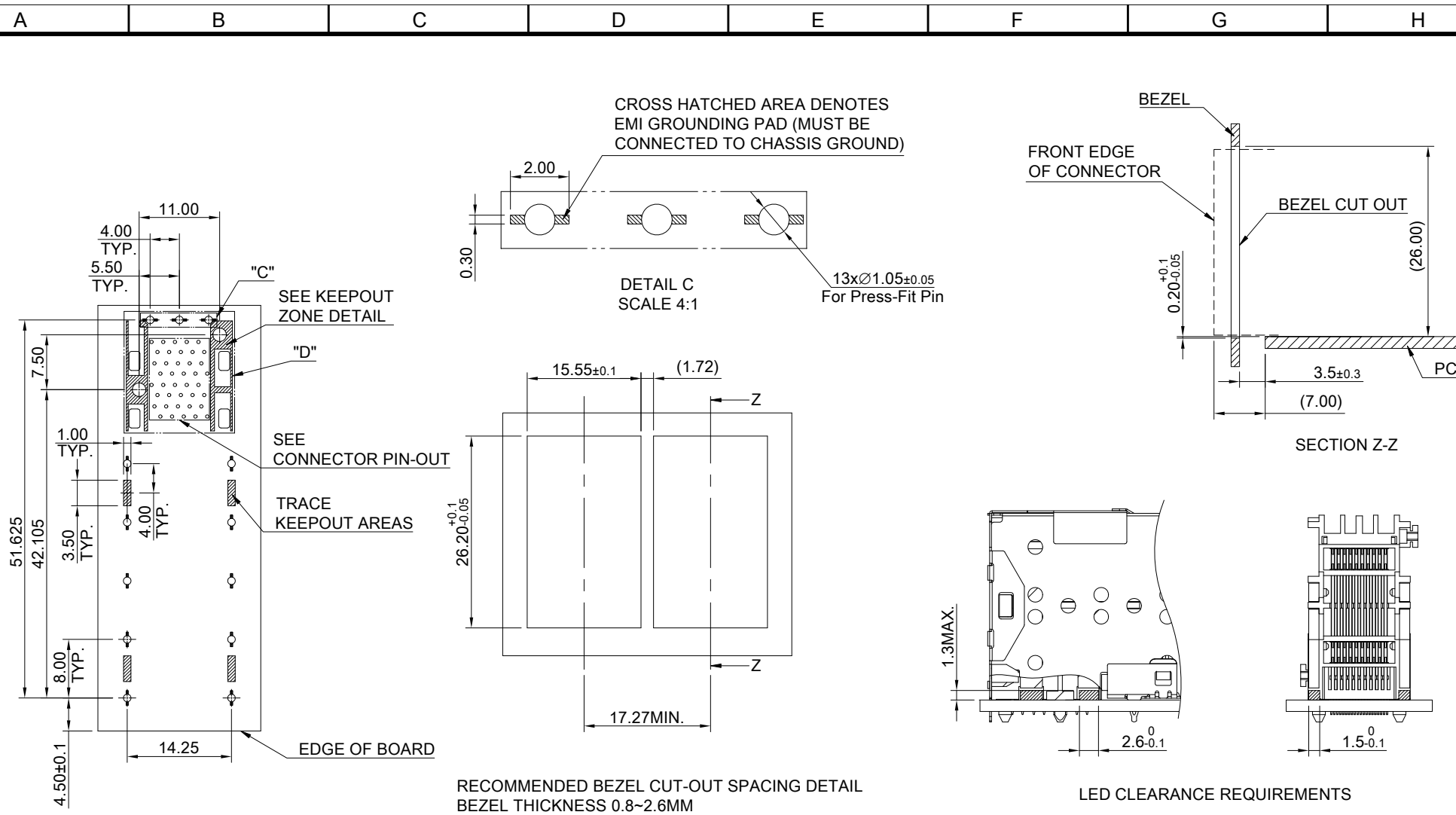
MATERIAL
 CAGE: NICKEL SILVER
 LIGHT PIPE: PC (CLEAR)
 CONNECTOR: LCP 94V-0
 COPPER ALLOY
 EMI SPRING: STAINLESS STEEL

FINISH
 CONTACT: 15µ" MIN. GOLD ON MATING END;
 30µ" MIN. MATTE TIN ON TERMINATION END;
 ALL UNDERPLATED 50µ" MIN. NICKEL

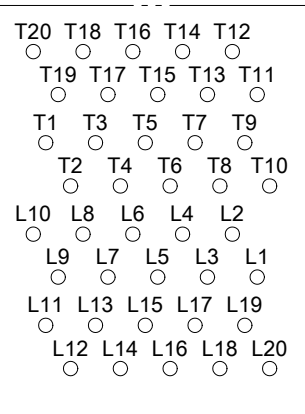
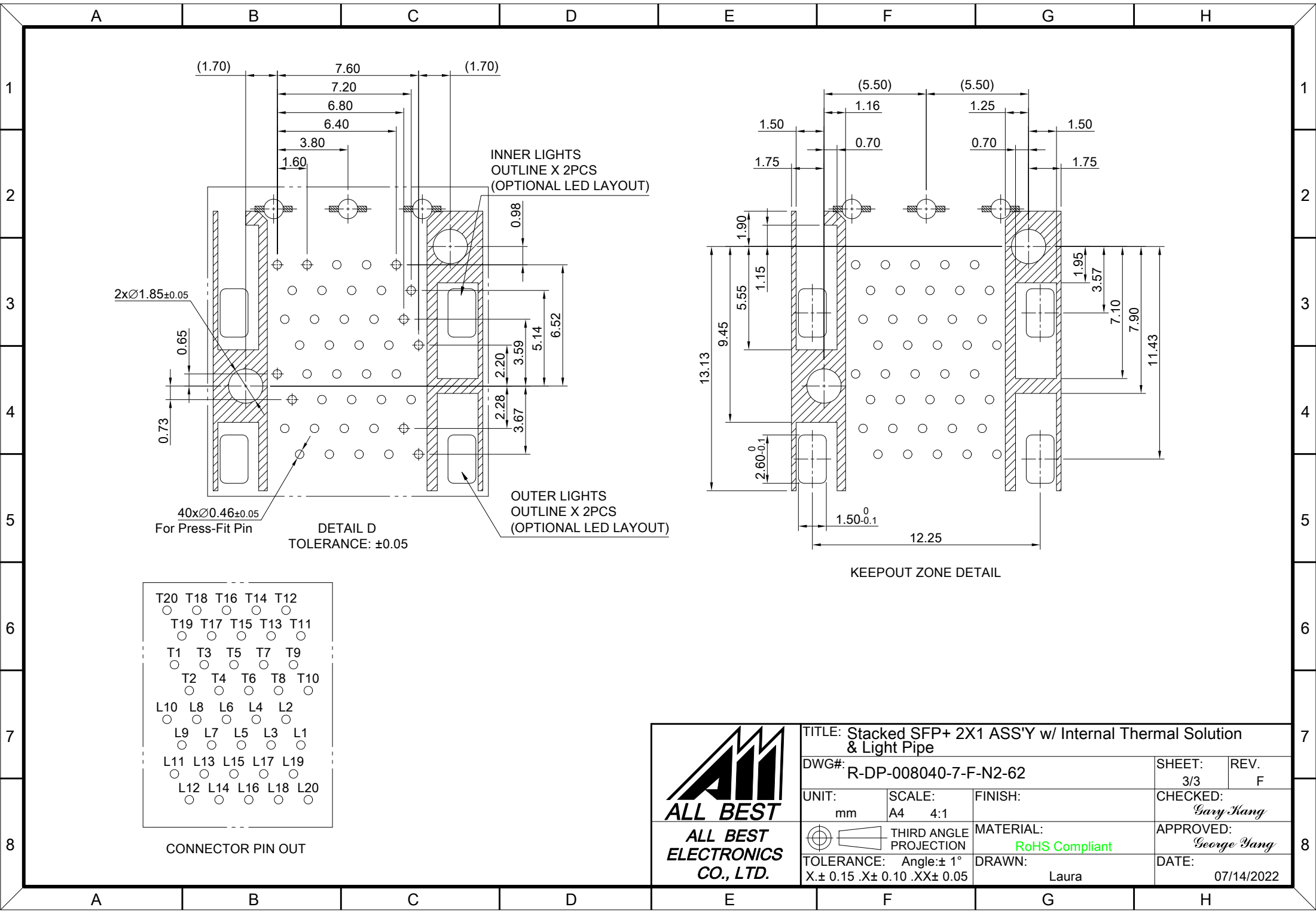
ELECTRICAL CHARACTERISTICS
 CONTACT CURRENT RATING: 0.5 AMPERE
 VOLTAGE RATING: 30 VAC
 CONTACT RESISTANCE: 80 mΩ MAX.
 DIELECTRIC WITHSTANDING VOLTAGE: 300VAC



 ALL BEST ELECTRONICS CO., LTD.	TITLE: Stacked SFP+ 2X1 ASS'Y w/ Internal Thermal Solution & Light Pipe		SHEET: 1/3		REV. F
	DWG#: R-DP-008040-7-F-N2-62		CHECKED: Gary Kang		APPROVED: George Yang
	UNIT: mm	SCALE: A4 1:1	FINISH:	MATERIAL: RoHS Compliant	
	TOLERANCE: Angle: ± 1° X.± 0.25 .X± 0.20 .XX± 0.15		THIRD ANGLE PROJECTION	DRAWN: Laura	DATE: 07/14/2022




TITLE: Stacked SFP+ 2X1 ASS'Y w/ Internal Thermal Solution & Light Pipe			
DWG#: R-DP-008040-7-F-N2-62		SHEET: 2/3	REV. F
UNIT: mm	SCALE: A4 5:4	FINISH:	CHECKED: Gary Kang
THIRD ANGLE PROJECTION		MATERIAL: RoHS Compliant	APPROVED: George Yang
TOLERANCE: Angle: ± 1° X ± 0.15 .X ± 0.10 .XX ± 0.05		DRAWN: Laura	DATE: 07/14/2022



CONNECTOR PIN OUT

DETAIL D
TOLERANCE: ±0.05

KEEPOUT ZONE DETAIL

	TITLE: Stacked SFP+ 2X1 ASS'Y w/ Internal Thermal Solution & Light Pipe			SHEET: 3/3		REV. F
	DWG#: R-DP-008040-7-F-N2-62			CHECKED: Gary Kang		
	UNIT: mm	SCALE: A4 4:1	FINISH:	APPROVED: George Yang		
	TOLERANCE: X± 0.15 .X± 0.10 .XX± 0.05			MATERIAL: RoHS Compliant	DATE: 07/14/2022	
THIRD ANGLE PROJECTION			DRAWN: Laura			