

MATERIAL  
 CAGE: NICKEL SILVER  
 CONNECTOR: LCP 94V-0  
 COPPER ALLOY  
 EMI SPRING: STAINLESS STEEL  
 LIGHT PIPE: PC (CLEAR)

FINISH  
 CONTACT: 15µ" MIN. GOLD ON MATING END;  
 30µ" MIN. MATTE TIN ON TERMINATION END;  
 ALL UNDERPLATED 50µ" MIN. NICKEL

ELECTRICAL CHARACTERISTICS  
 CONTACT CURRENT RATING: 0.5 AMPERE  
 VOLTAGE RATING: 30 VAC  
 CONTACT RESISTANCE: 80 mΩ MAX.  
 DIELECTRIC WITHSTANDING VOLTAGE: 300VAC

THIS PRINT IS  
**PRELIMINARY**  
 UNQUALIFIED PRODUCT  
 CONTACT PRODUCT ENGINEERING  
 BEFORE USING THIS PRINT



TITLE: Stacked SFP+ 2X8 ASS'Y w/ Internal Thermal Solution & Light Pipe

DWG#: R-OP-008320-7P-F-N2-61

SHEET: 1/3  
 REV. REF

UNIT: mm

SCALE: A4 2:3

FINISH:

CHECKED:

THIRD ANGLE PROJECTION

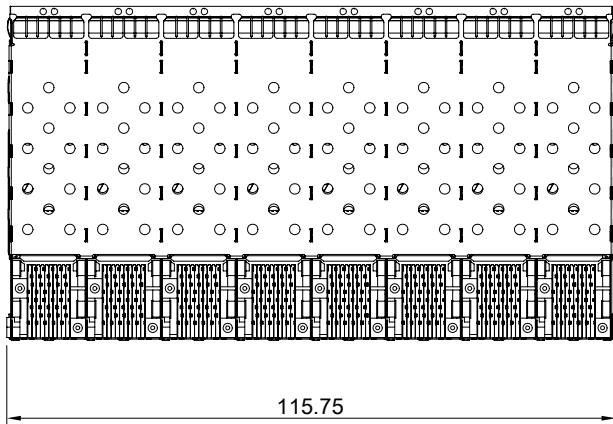
MATERIAL: RoHS Compliant

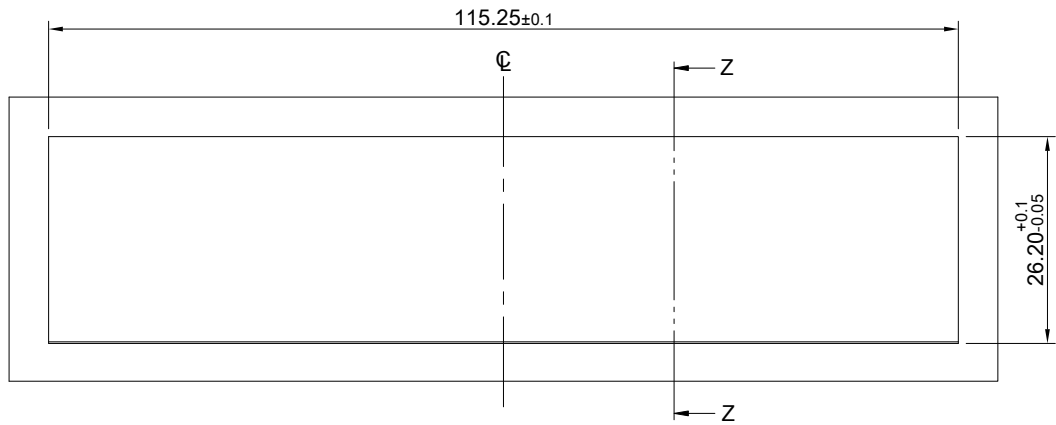
APPROVED:

TOLERANCE: Angle: ± 1°  
 X ± 0.25 .X ± 0.20 .XX ± 0.15

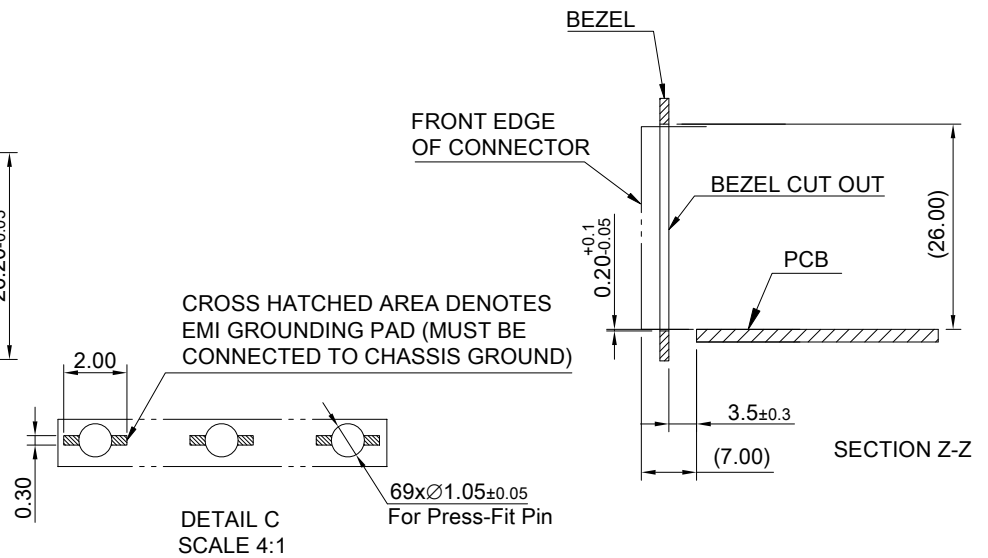
DRAWN: Laura

DATE: 03/28/2024



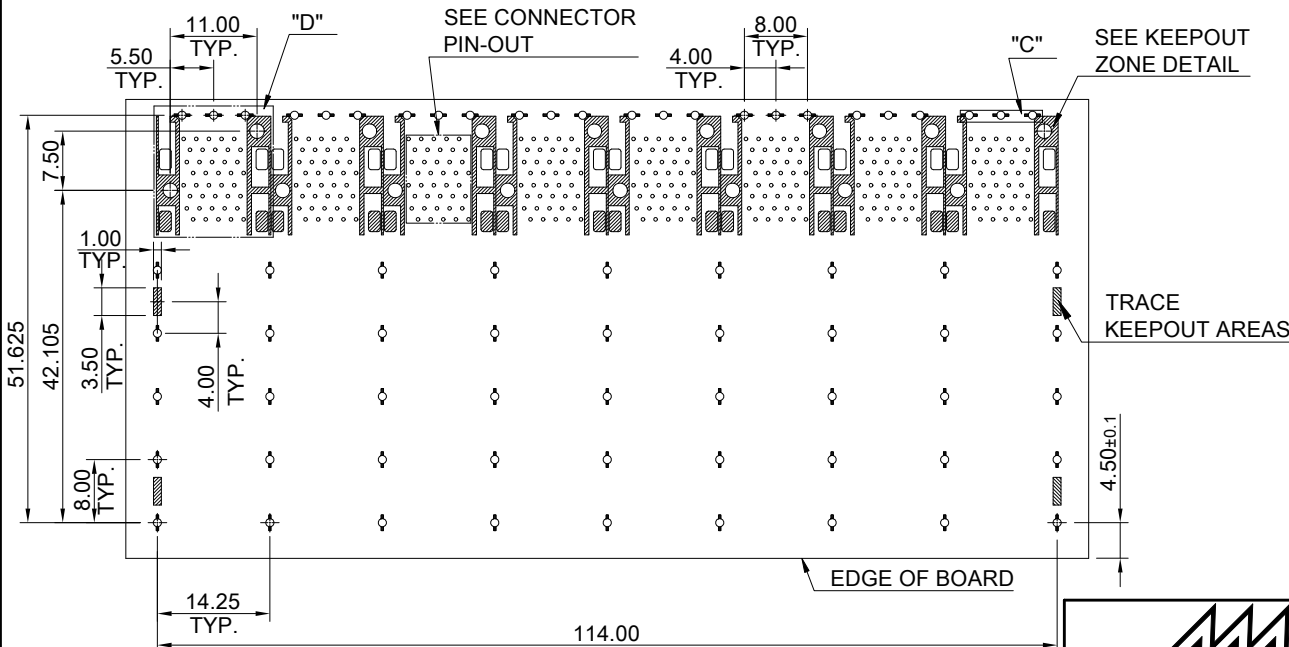


RECOMMENDED BEZEL CUT-OUT SPACING DETAIL  
BEZEL THICKNESS 0.8-2.6MM

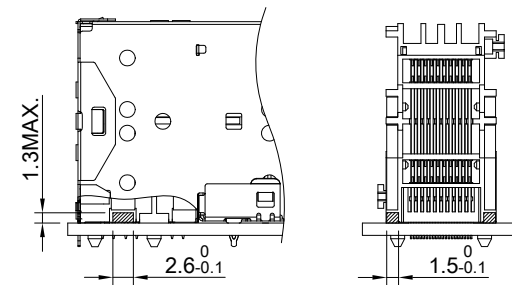


DETAIL C  
SCALE 4:1

SECTION Z-Z



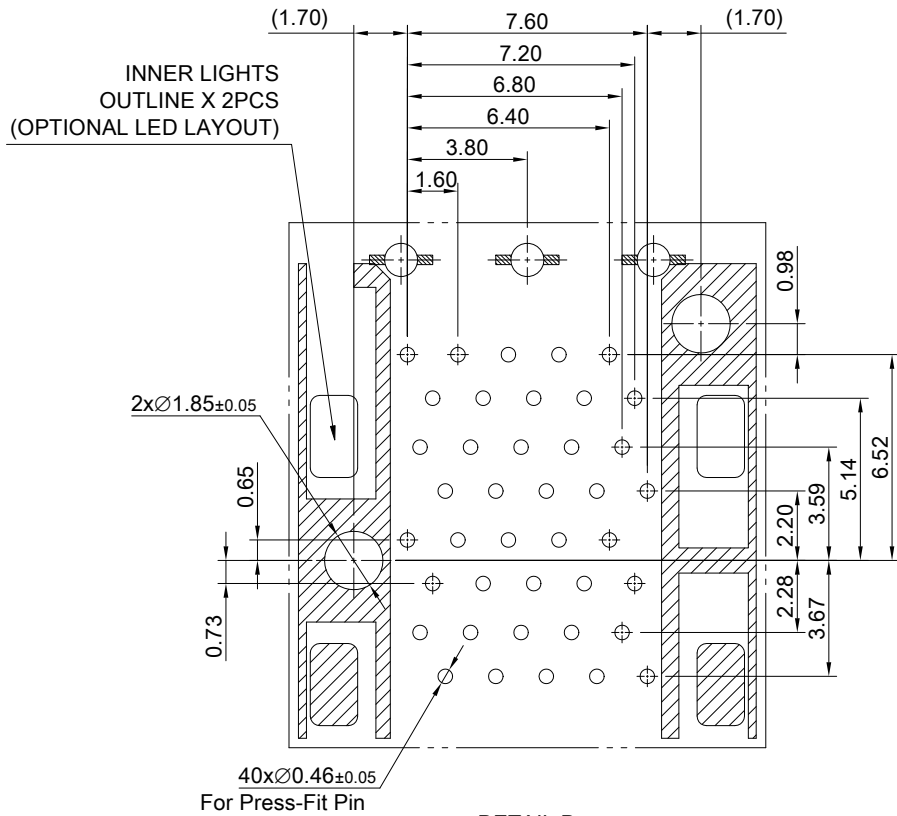
RECOMMENDED PCB LAYOUT-COMPONENT SIDE  
TOLERANCE: ±0.05  
RECOMMENDED PCB THICKNESS- 1.57 MM  
THE ENTIRE AREA OF THE KEEPOUT AREA FOR  
COMPONENTS  
(OTHER THAN LIGHT PIPE LED'S)  
THIS AREA IS INDICATED BY THE DASHED LINE



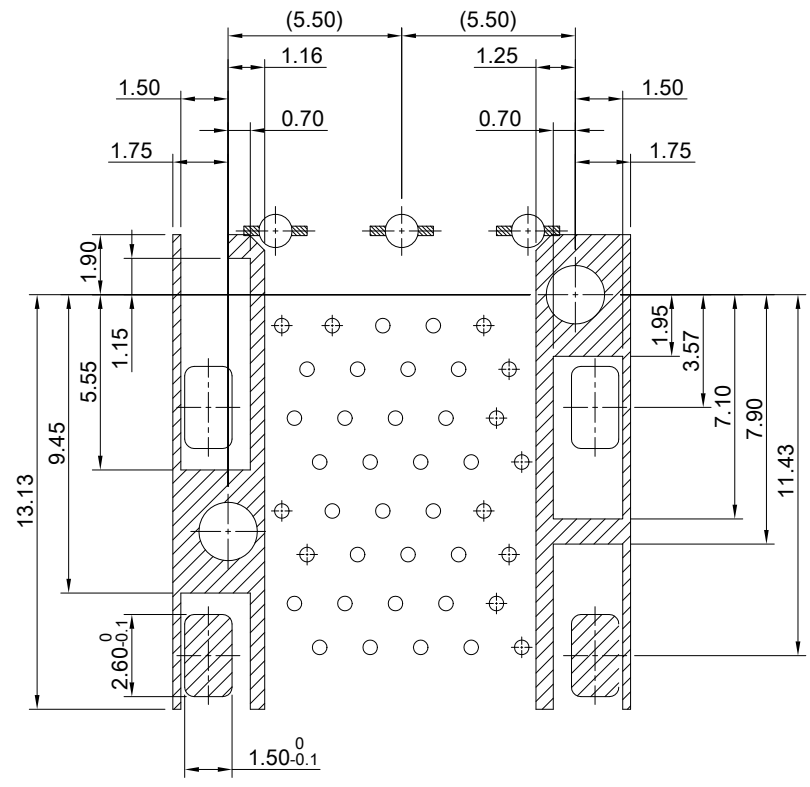
LED CLEARANCE REQUIREMENTS

THIS PRINT IS  
**PRELIMINARY**  
UNQUALIFIED PRODUCT  
CONTACT PRODUCT ENGINEERING  
BEFORE USING THIS PRINT

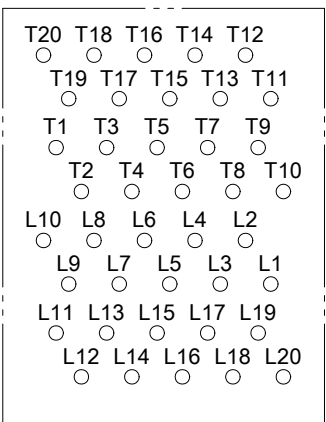
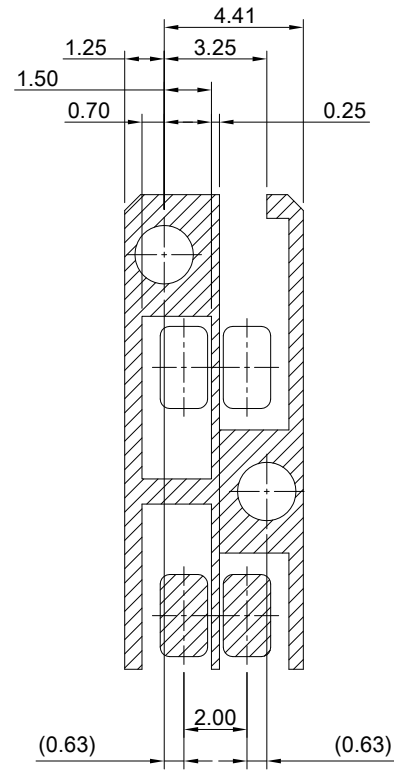
		TITLE: Stacked SFP+ 2X8 ASS'Y w/ Internal Thermal Solution & Light Pipe	
		DWG#: R-OP-008320-7P-F-N2-61	
UNIT: mm	SCALE: A4 1:1	FINISH:	SHEET: 2/3
TOLERANCE: Angle:± 1° X± 0.15 .X± 0.10 .XX± 0.05		MATERIAL: RoHS Compliant	REV. REF
THIRD ANGLE PROJECTION		CHECKED:	APPROVED:
DRAWN: Laura		DATE: 03/28/2024	



DETAIL D  
TOLERANCE: ±0.05



KEEPOUT ZONE DETAIL



CONNECTOR PIN OUT

THIS PRINT IS  
**PRELIMINARY**  
UNQUALIFIED PRODUCT  
CONTACT PRODUCT ENGINEERING  
BEFORE USING THIS PRINT



TITLE: Stacked SFP+ 2X8 ASS'Y w/ Internal Thermal Solution & Light Pipe			
DWG#: R-OP-008320-7P-F-N2-61		SHEET: 3/3	REV. REF
UNIT: mm	SCALE: A4 4:1	FINISH:	CHECKED:
TOLERANCE: Angle: ± 1° X.± 0.15 .X± 0.10 .XX± 0.05		MATERIAL: RoHS Compliant	APPROVED:
THIRD ANGLE PROJECTION		DRAWN: Larua	DATE: 03/28/2024