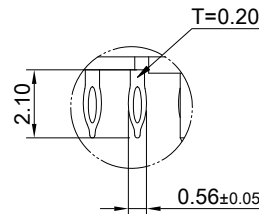
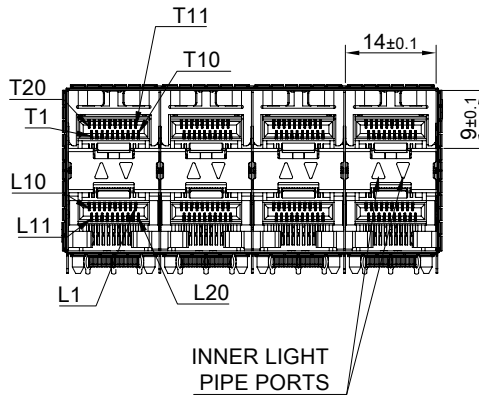
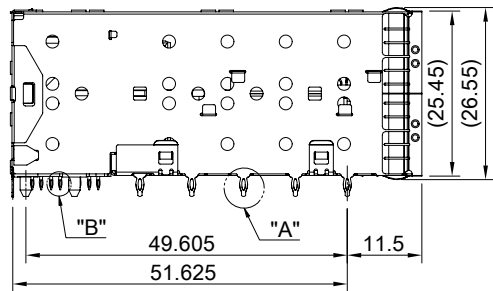
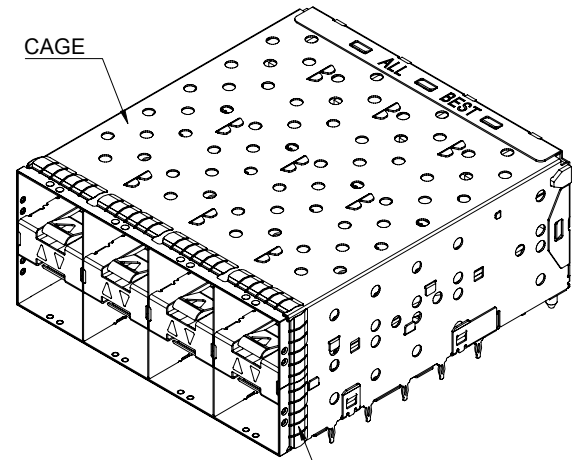


DETAIL A
SCALE 5:1



DETAIL B
SCALE 5:1

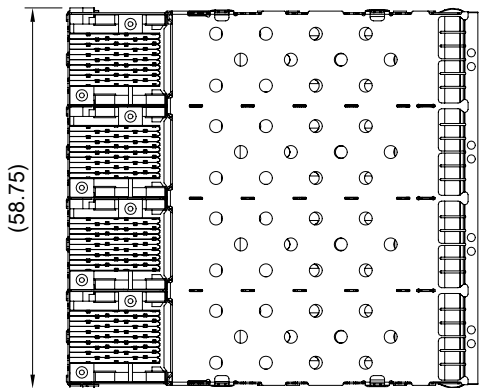


INNER LIGHT
PIPE PORTS

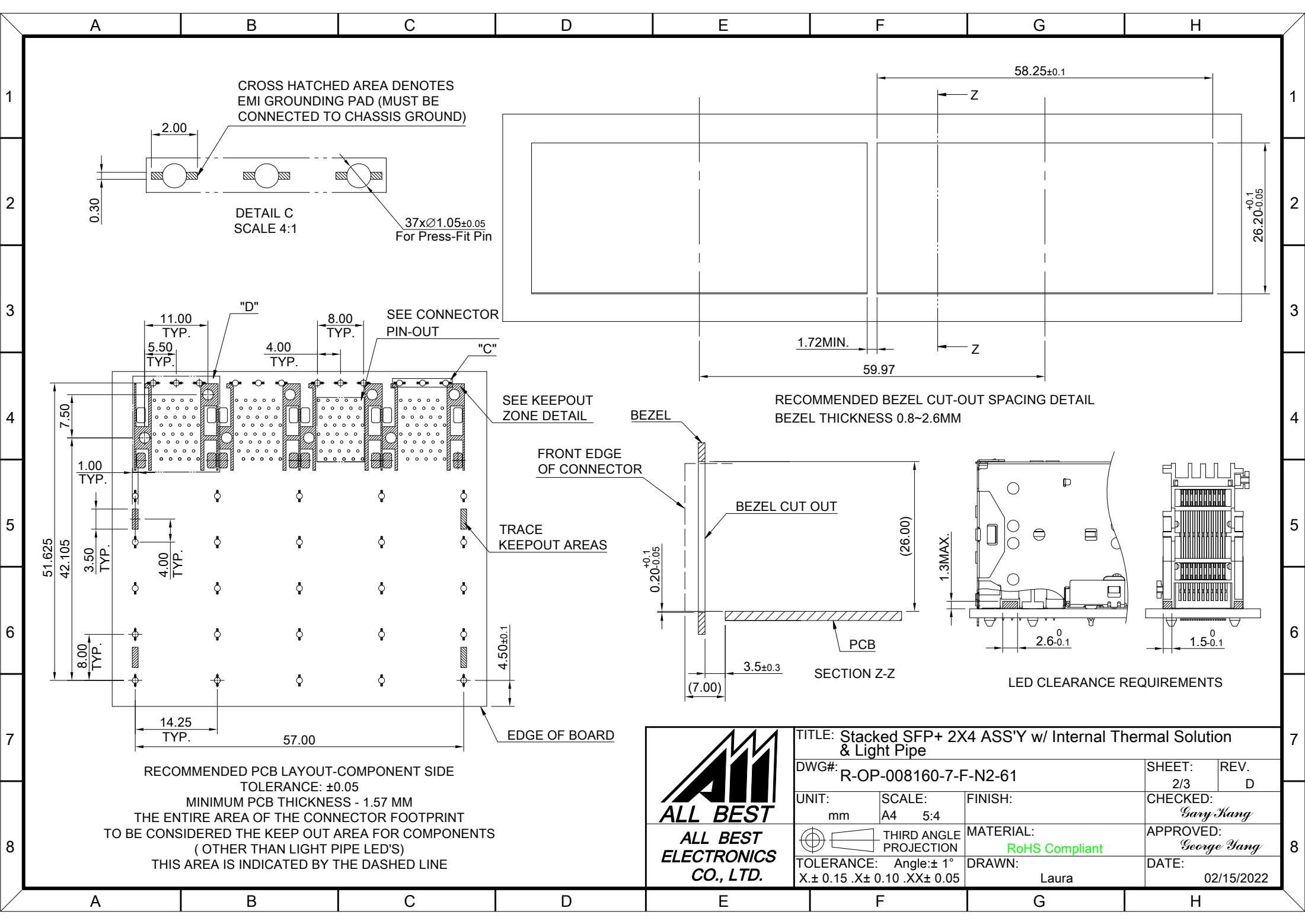
MATERIAL
CAGE: NICKEL SILVER
LIGHT PIPE: PC (CLEAR)
CONNECTOR: LCP 94V-0
COPPER ALLOY
EMI SPRING: STAINLESS STEEL

FINISH
CONTACT: 15μ" MIN. GOLD ON MATING END;
30μ" MIN. MATTE TIN ON TERMINATION END;
ALL UNDERPLATED 50μ" MIN. NICKEL

ELECTRICAL CHARACTERISTICS
CONTACT CURRENT RATING: 0.5 AMPERE
VOLTAGE RATING: 30 VAC
CONTACT RESISTANCE: 80 mΩ MAX.
DIELECTRIC WITHSTANDING VOLTAGE: 300VAC



	TITLE: Stacked SFP+ 2X4 ASS'Y w/ Internal Thermal Solution & Light Pipe		SHEET: 1/3		REV. D
	DWG#: R-OP-008160-7-F-N2-61		CHECKED: Gary Yang		APPROVED: George Yang
	UNIT: mm	SCALE: A4 1:1	FINISH:	MATERIAL: RoHS Compliant	
	TOLERANCE: X±0.25 .X±0.20 .XX±0.15		THIRD ANGLE PROJECTION	DRAWN: Laura	DATE: 02/15/2022



CROSS HATCHED AREA DENOTES EMI GROUNDING PAD (MUST BE CONNECTED TO CHASSIS GROUND)

DETAIL C SCALE 4:1

37xØ1.05±0.05 For Press-Fit Pin

SEE CONNECTOR PIN-OUT

RECOMMENDED BEZEL CUT-OUT SPACING DETAIL BEZEL THICKNESS 0.8~2.6MM

SEE KEEPOUT ZONE DETAIL

FRONT EDGE OF CONNECTOR

TRACE KEEPOUT AREAS

EDGE OF BOARD

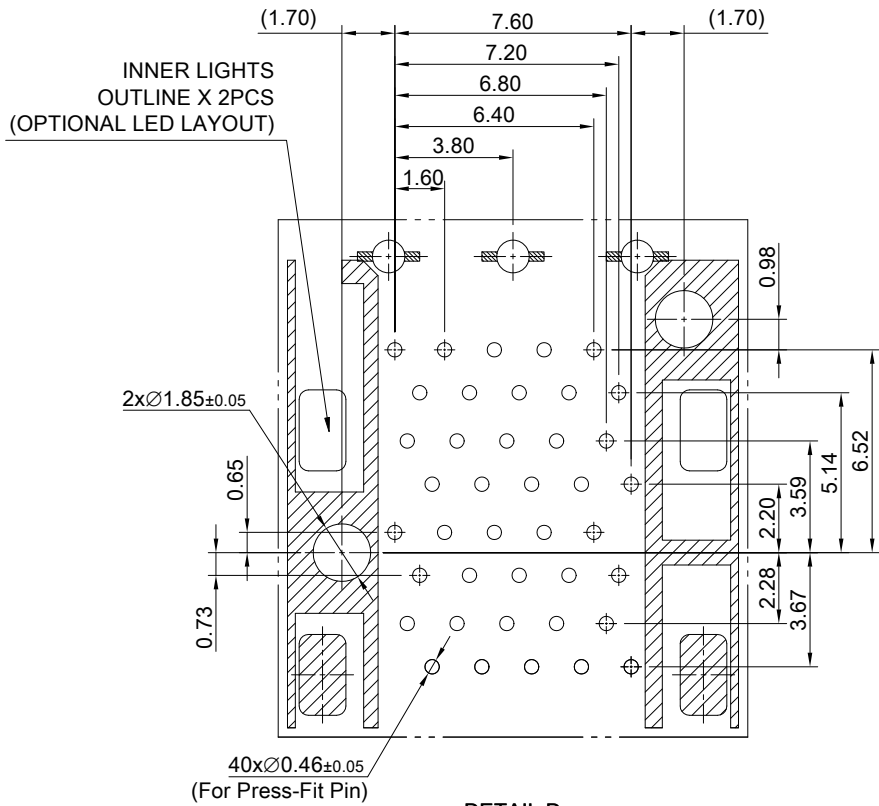
SECTION Z-Z

LED CLEARANCE REQUIREMENTS

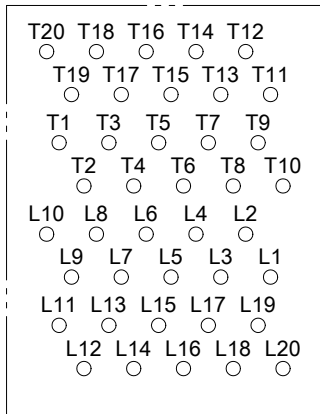
RECOMMENDED PCB LAYOUT-COMPONENT SIDE TOLERANCE: ±0.05
 MINIMUM PCB THICKNESS - 1.57 MM
 THE ENTIRE AREA OF THE CONNECTOR FOOTPRINT TO BE CONSIDERED THE KEEP OUT AREA FOR COMPONENTS (OTHER THAN LIGHT PIPE LED'S)
 THIS AREA IS INDICATED BY THE DASHED LINE



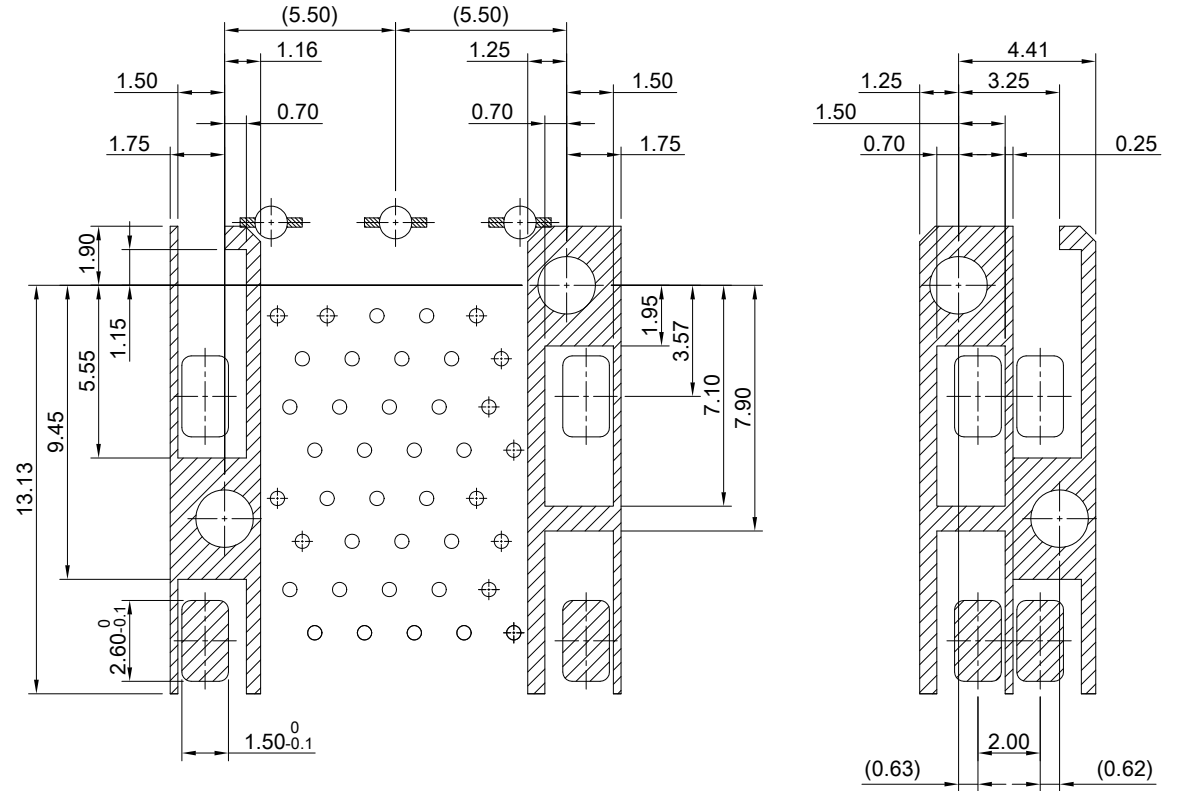
TITLE: Stacked SFP+ 2X4 ASS'Y w/ Internal Thermal Solution & Light Pipe			
DWG#: R-OP-008160-7-F-N2-61		SHEET: 2/3	REV. D
UNIT: mm	SCALE: A4 5:4	CHECKED: Gary Yang	
THIRD ANGLE PROJECTION		MATERIAL: RoHS Compliant	APPROVED: George Yang
TOLERANCE: Angle: ±1° X: ±0.15 .X: ±0.10 .XX: ±0.05		DRAWN: Laura	DATE: 02/15/2022



DETAIL D
TOLERANCE: ± 0.05



CONNECTOR PIN OUT



TITLE: Stacked SFP+ 2X4 ASS'Y w/ Internal Thermal Solution & Light Pipe

DWG#: R-OP-008160-7-F-N2-61

UNIT: mm

SCALE: A4 4:1

FINISH:

SHEET: 3/3
REV. D

THIRD ANGLE PROJECTION

MATERIAL: RoHS Compliant

CHECKED: Gary Yang

APPROVED: George Yang

TOLERANCE: Angle: $\pm 1^\circ$
X: ± 0.15 .X: ± 0.10 .XX: ± 0.05

DRAWN: Laura

DATE: 02/15/2022