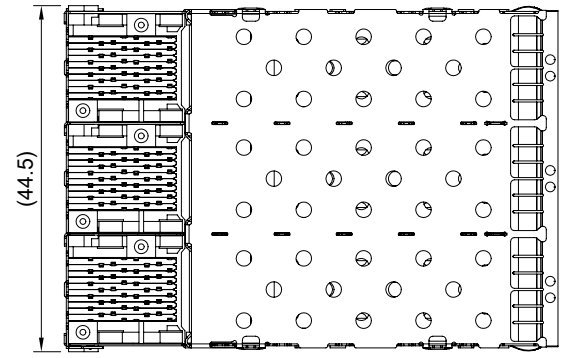


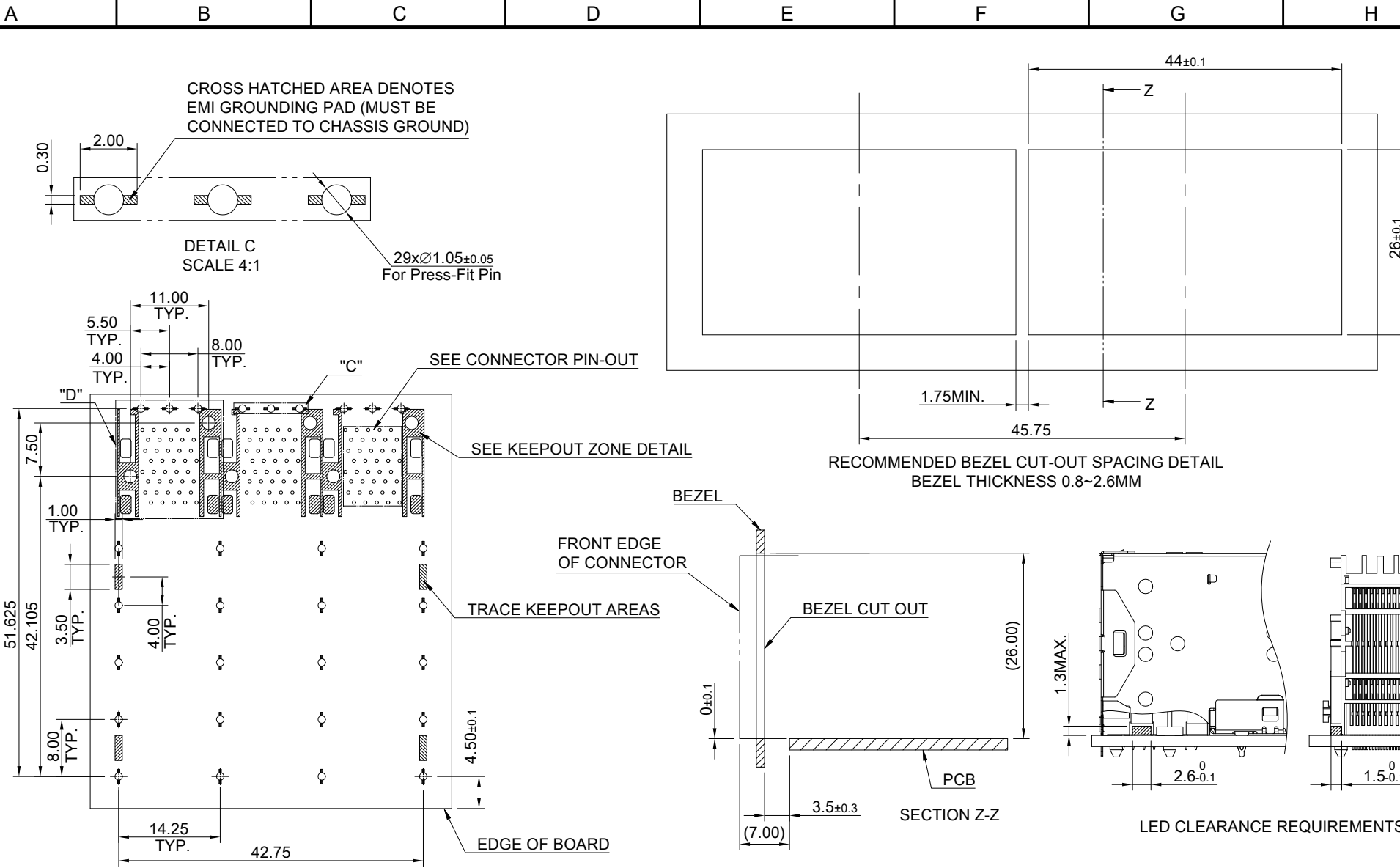
MATERIAL  
 CAGE: NICKEL SILVER  
 LIGHT PIPE: PC (CLEAR)  
 CONNECTOR: LCP 94V-0  
 COPPER ALLOY  
 EMI SPRING: STAINLESS STEEL

FINISH  
 CONTACT: 15µ" MIN. GOLD ON MATING END;  
 120µ" MIN. MATTE TIN ON TERMINATION END;  
 ALL UNDERPLATED 50µ" MIN. NICKEL

ELECTRICAL CHARACTERISTICS  
 CONTACT CURRENT RATING: 0.5 AMPERE  
 VOLTAGE RATING: 30 VAC  
 CONTACT RESISTANCE: 80 mΩ MAX.  
 DIELECTRIC WITHSTANDING VOLTAGE: 300 VAC



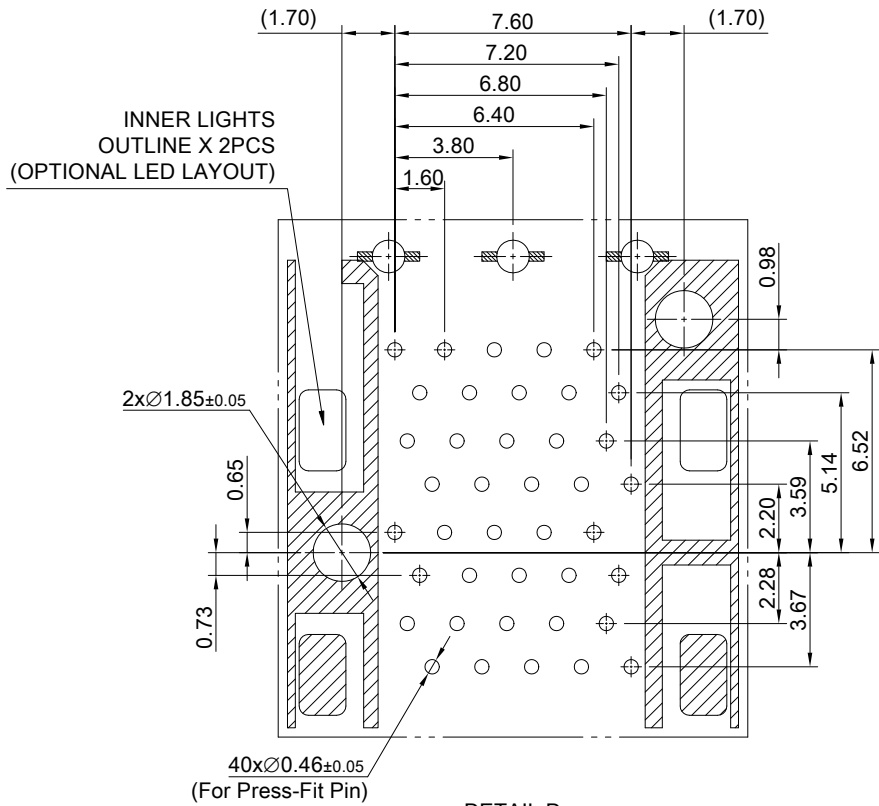
	TITLE: Stacked SFP+ 2X3 ASS'Y w/ Thermal Solution & Light Pipe		
	DWG#: R-OP-008120-7-F-N2-61		SHEET: 1/3
	UNIT: mm	SCALE: A4 1:1	REV. A
	THIRD ANGLE PROJECTION		CHECKED: Gary Kang
TOLERANCE: Angle: ± 1°		MATERIAL: RoHS Compliant	APPROVED: George Yang
X: ± 0.25 .X: ± 0.20 .XX: ± 0.15		DRAWN: Boris	DATE: 06/03/2020



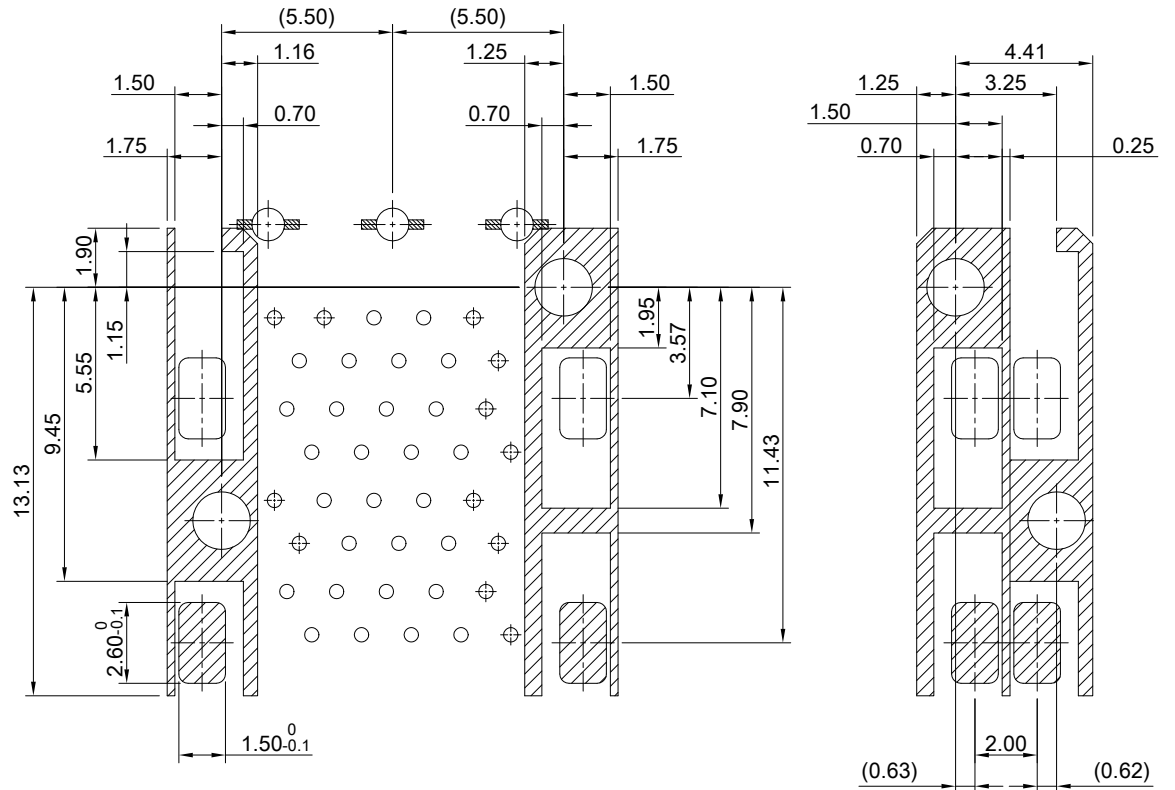
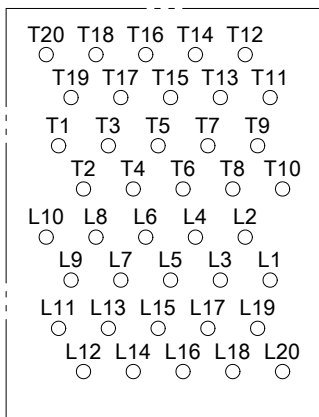
RECOMMENDED PCB LAYOUT-COMPONENT SIDE  
TOLERANCE: ±0.05  
MINIMUM PCB THICKNESS - 1.57 MM  
THE ENTIRE AREA OF THE CONNECTOR FOOTPRINT  
TO BE CONSIDERED THE KEEP OUT AREA FOR COMPONENTS  
( OTHER THAN LIGHT PIPE LED'S)  
THIS AREA IS INDICATED BY THE DASHED LINE



TITLE: Stacked SFP+ 2X3 ASS'Y w/ Thermal Solution & Light Pipe			
DWG#: R-OP-008120-7-F-N2-61		SHEET: 2/3	REV. A
UNIT: mm	SCALE: A4 5:4	FINISH:	CHECKED: Gary Kang
TOLERANCE: X± 0.15 .X± 0.10 .XX± 0.05		MATERIAL: RoHS Compliant	APPROVED: George Yang
THIRD ANGLE PROJECTION		DRAWN: Boris	DATE: 06/03/2020



DETAIL D  
TOLERANCE:  $\pm 0.05$



KEEPOUT ZONE DETAIL



TITLE: Stacked SFP+ 2X3 ASS'Y w/ Thermal Solution & Light Pipe			
DWG#: R-OP-008120-7-F-N2-61		SHEET: 3/3	REV. A
UNIT: mm	SCALE: A4 4:1	FINISH:	CHECKED: Gary Kang
THIRD ANGLE PROJECTION		MATERIAL: RoHS Compliant	APPROVED: George Yang
TOLERANCE: Angle: $\pm 1^\circ$ X: $\pm 0.15$ .X: $\pm 0.10$ .XX: $\pm 0.05$		DRAWN: Boris	DATE: 06/03/2020