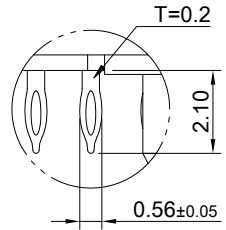
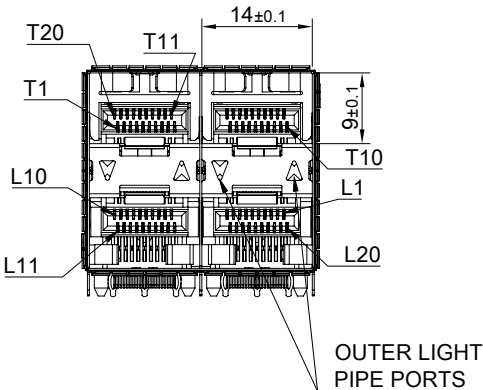
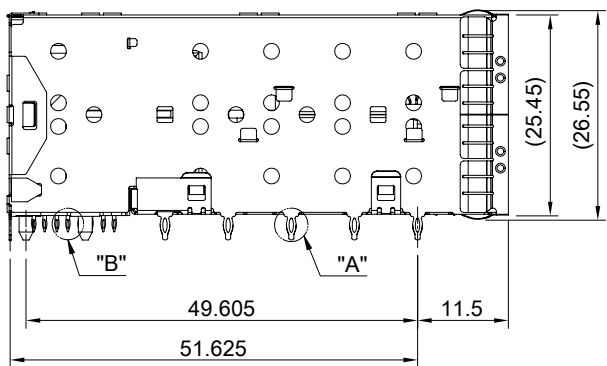
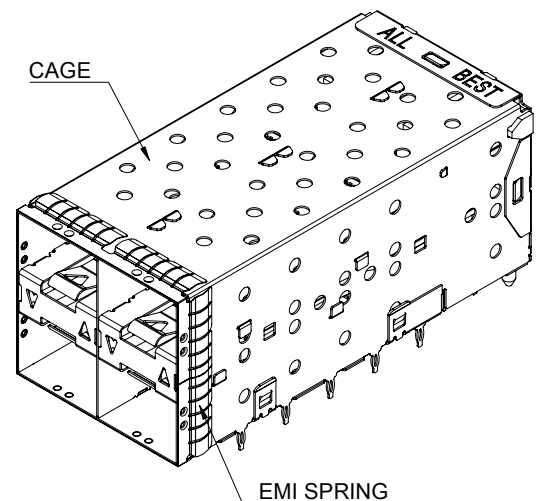


DETAIL A
SCALE 5:1



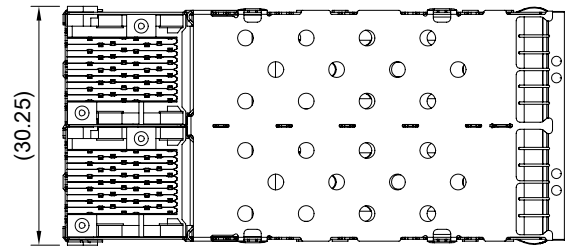
DETAIL B
SCALE 5:1



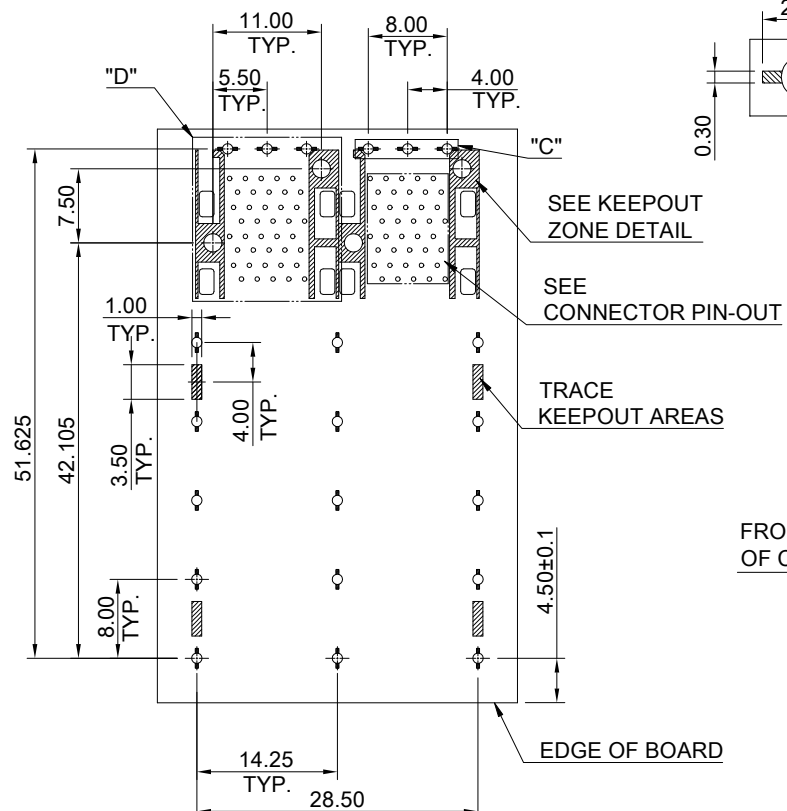
MATERIAL
 CAGE: NICKEL SILVER
 LIGHT PIPE: PC (CLEAR)
 CONNECTOR: LCP 94V-0
 COPPER ALLOY
 EMI SPRING: STAINLESS STEEL

FINISH
 CONTACT: 15μ" MIN. GOLD ON MATING END;
 30μ" MIN. MATTE TIN ON TERMINATION END;
 ALL UNDERPLATED 50μ" MIN. NICKEL

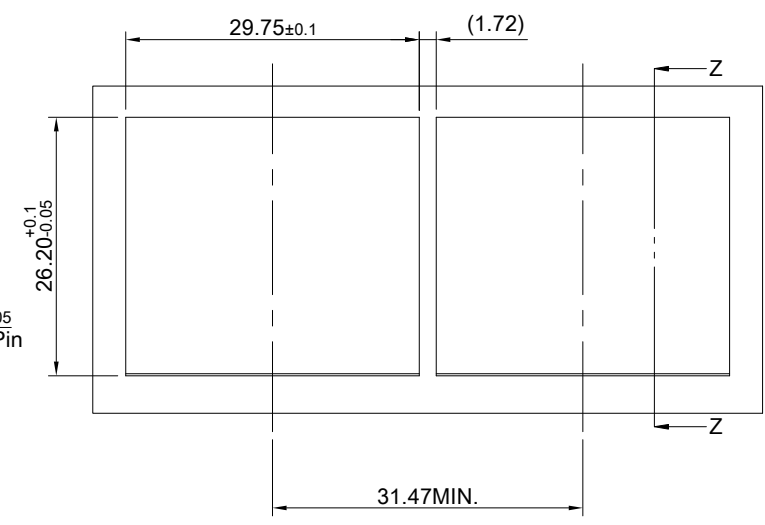
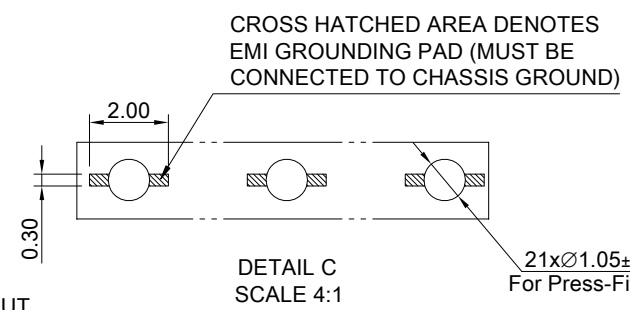
ELECTRICAL CHARACTERISTICS
 CONTACT CURRENT RATING: 0.5 AMPERE
 VOLTAGE RATING: 30 VAC
 CONTACT RESISTANCE: 80 mΩ MAX.
 DIELECTRIC WITHSTANDING VOLTAGE: 300VAC



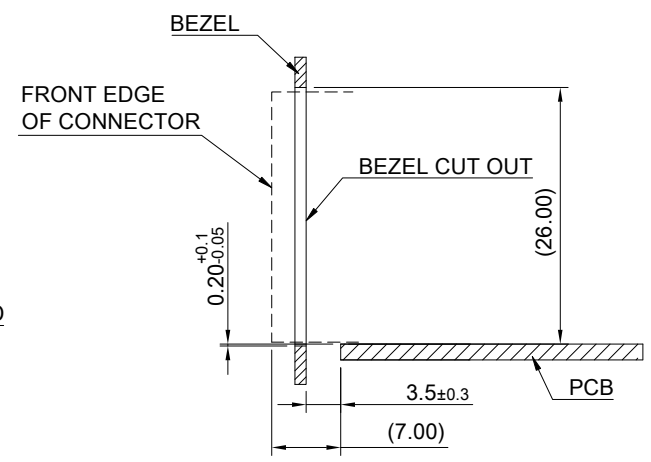
 ALL BEST ELECTRONICS CO., LTD.	TITLE: Stacked SFP+ 2X2 ASS'Y w/ Internal Thermal Solution & Light Pipe		SHEET: 1/3	REV. D
	DWG#: R-OP-008080-7-F-N2-58		CHECKED: Gary Kang	
	UNIT: mm	SCALE: A4 1:1	FINISH:	APPROVED: George Yang
	TOLERANCE: Angle: ± 1° X.± 0.25 .X± 0.20 .XX± 0.15		MATERIAL: RoHS Compliant	DATE: 02/15/2022
		THIRD ANGLE PROJECTION	MATERIAL: RoHS Compliant	
		DRAWN: Laura		



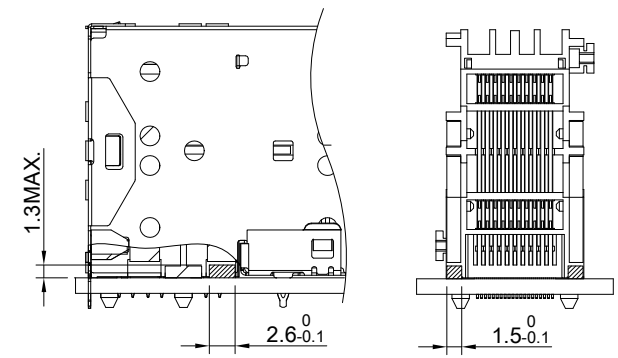
RECOMMENDED PCB LAYOUT
 TOLERANCE: ±0.05
 MINIMUM PCB THICKNESS OF 1.57MM



RECOMMENDED BEZEL CUT-OUT SPACING DETAIL
 BEZEL THICKNESS 0.8~2.6MM

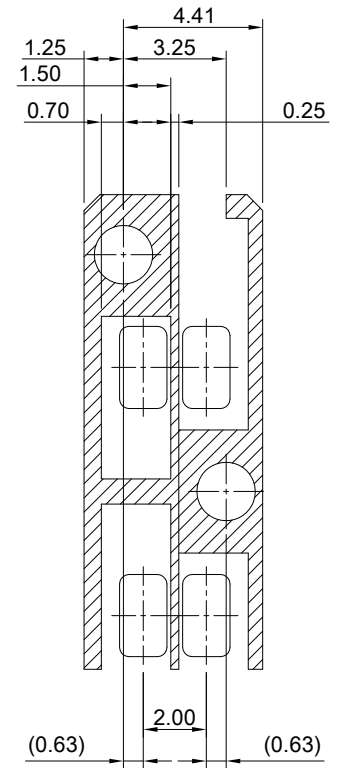
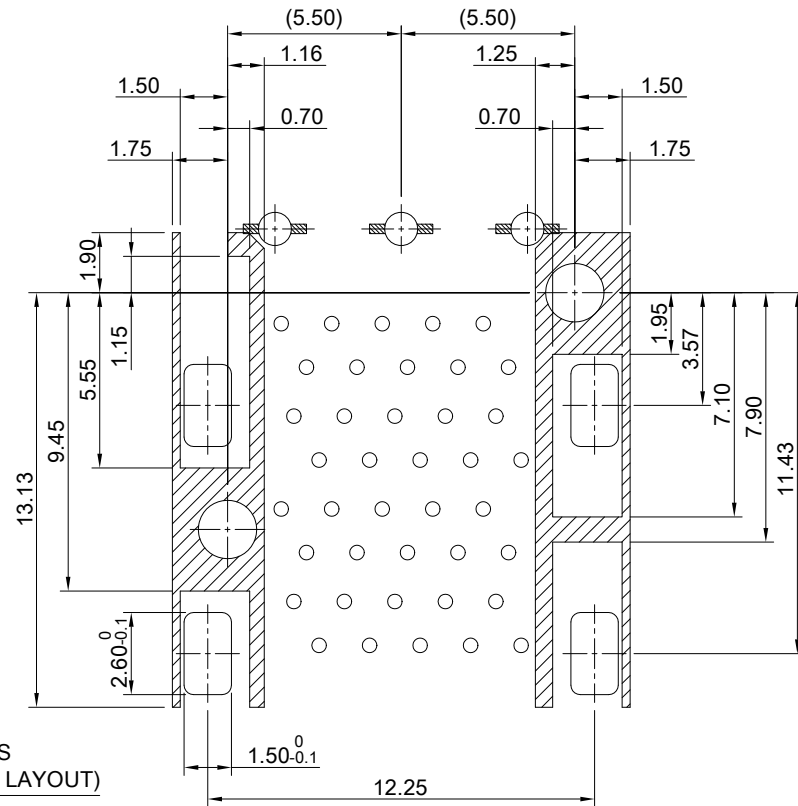
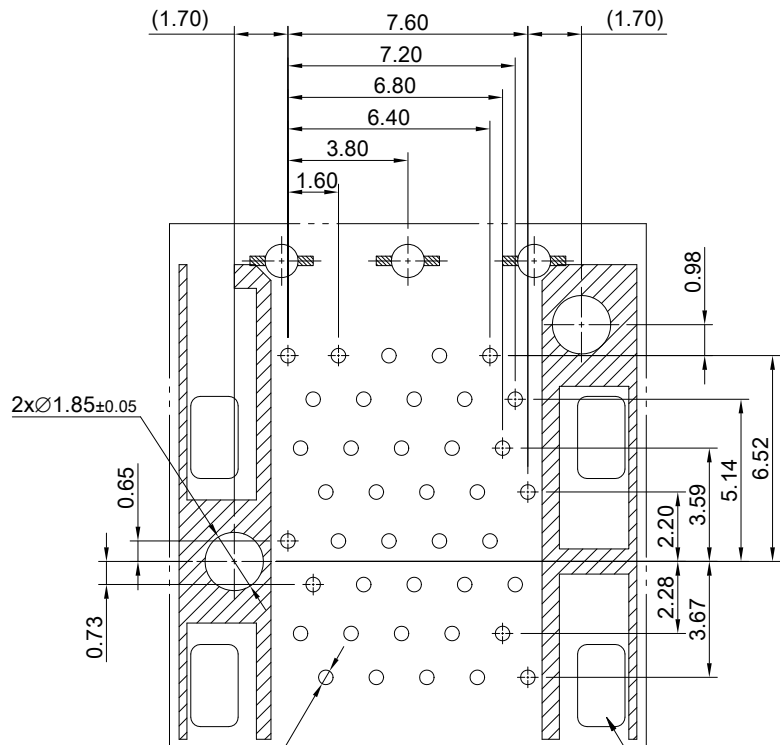


SECTION Z-Z



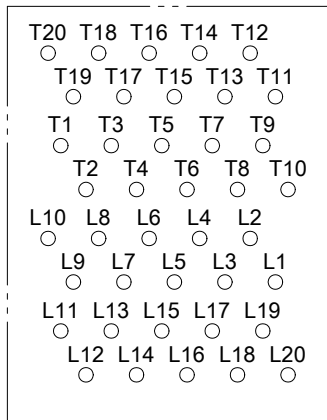
LED CLEARANCE REQUIREMENTS

 ALL BEST ELECTRONICS CO., LTD.	TITLE: Stacked SFP+ 2X2 ASS'Y w/ Internal Thermal Solution & Light Pipe		SHEET: 2/3	REV. D
	DWG#: R-OP-008080-7-F-N2-58		CHECKED: Gary Kang	
	UNIT: mm	SCALE: A4 5:4	FINISH:	APPROVED: George Yang
	TOLERANCE: Angle: ± 1° X. ± 0.15 .X ± 0.10 .XX ± 0.05		MATERIAL: RoHS Compliant	DATE: 02/15/2022
		THIRD ANGLE PROJECTION	DRAWN: Laura	



40xØ0.46±0.05
For Press-Fit Pin
DETAIL D
TOLERANCE: ±0.05
OUTER LIGHTS
OUTLINE X 2PCS
(OPTIONAL LED LAYOUT)

KEEPOUT ZONE DETAIL



CONNECTOR PIN OUT



TITLE: Stacked SFP+ 2X2 ASS'Y w/ Internal Thermal Solution & Light Pipe

DWG#: R-OP-008080-7-F-N2-58

SHEET: 3/3
REV: D

UNIT: mm

SCALE: A4 4:1

FINISH: M/T

CHECKED: Gary Kang

THIRD ANGLE PROJECTION

MATERIAL: RoHS Compliant

APPROVED: George Yang

TOLERANCE: Angle: ± 1°
X: ± 0.15 .X: ± 0.10 .XX: ± 0.05

DRAWN: Laura

DATE: 02/15/2022