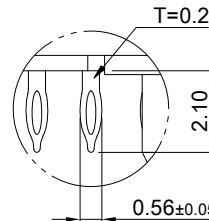
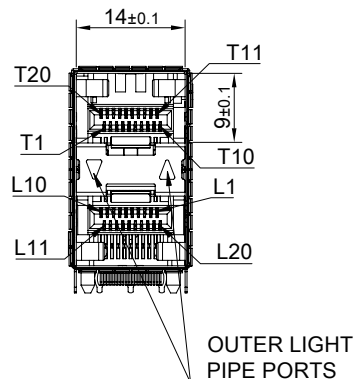
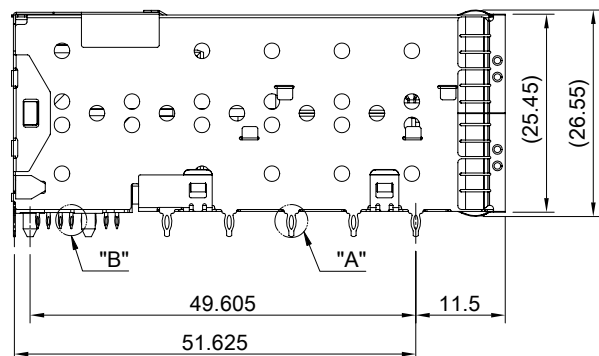
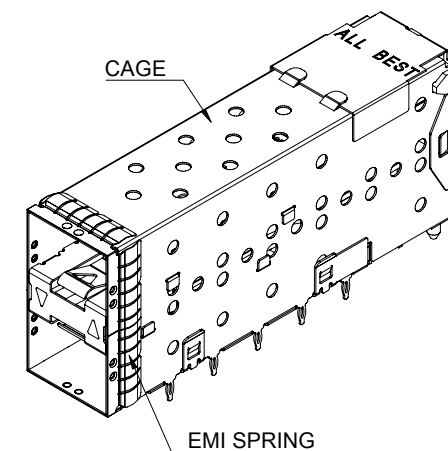


DETAIL A
SCALE 5:1



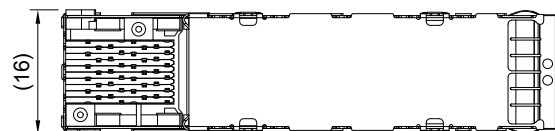
DETAIL B
SCALE 5:1



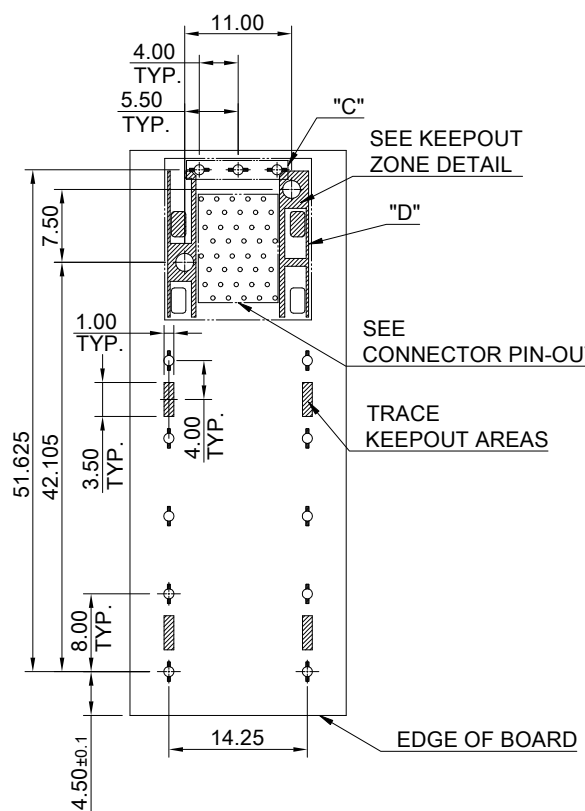
MATERIAL
 CAGE: NICKEL SILVER
 LIGHT PIPE: PC (CLEAR)
 CONNECTOR: LCP 94V-0
 COPPER ALLOY
 EMI SPRING: STAINLESS STEEL

FINISH
 CONTACT: 15µ" MIN. GOLD ON MATING END;
 30µ" MIN. MATTE TIN ON TERMINATION END;
 ALL UNDERPLATED 50µ" MIN. NICKEL

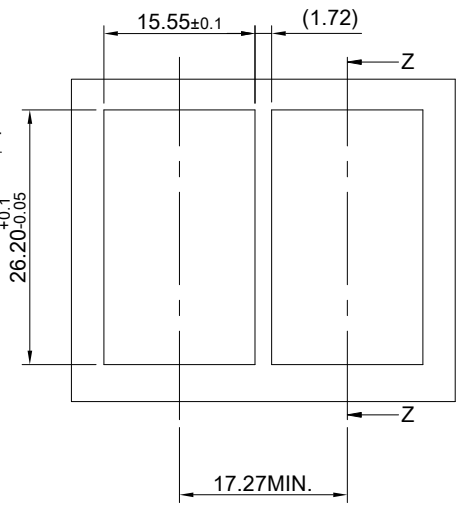
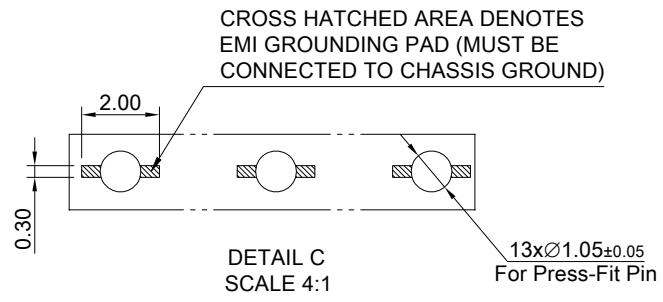
ELECTRICAL CHARACTERISTICS
 CONTACT CURRENT RATING: 0.5 AMPERE
 VOLTAGE RATING: 30 VAC
 CONTACT RESISTANCE: 80 mΩ MAX.
 DIELECTRIC WITHSTANDING VOLTAGE: 300VAC



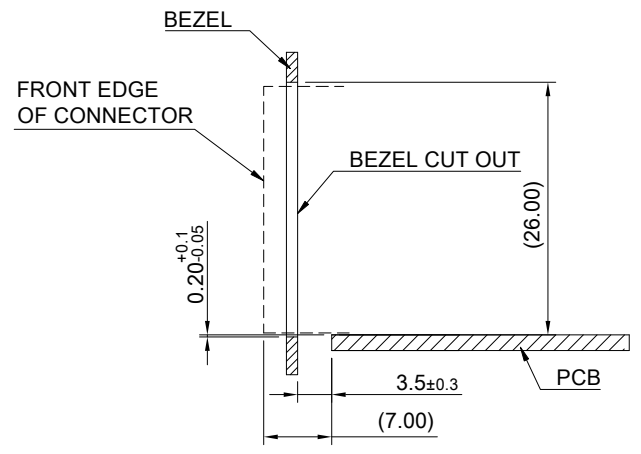
	TITLE: Stacked SFP+ 2X1 Assembly w/ Internal Thermal Solution & Light Pipe			SHEET: 1/3		REV. E	
	DWG#: R-DP-008040-7-F-N2-58			CHECKED: Gary Kang		APPROVED: George Yang	
	UNIT: mm	SCALE: A4 1:1	FINISH:	MATERIAL: RoHS Compliant		DATE: 07/14/2022	
	TOLERANCE: X.± 0.25 .X± 0.20 .XX± 0.15			DRAWN: Laura			



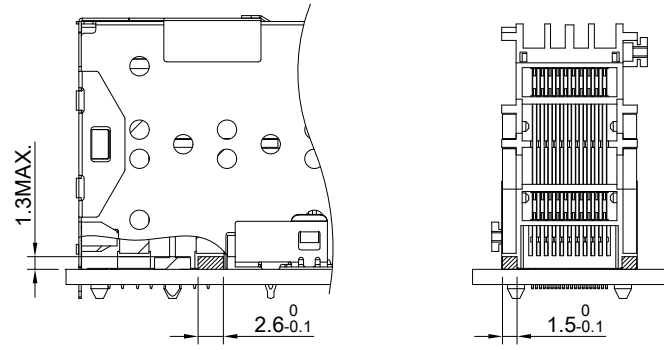
RECOMMENDED PCB LAYOUT
 TOLERANCE: ±0.05
 MINIMUM PCB THICKNESS OF 1.57MM



RECOMMENDED BEZEL CUT-OUT SPACING DETAIL
 BEZEL THICKNESS 0.8~2.6MM



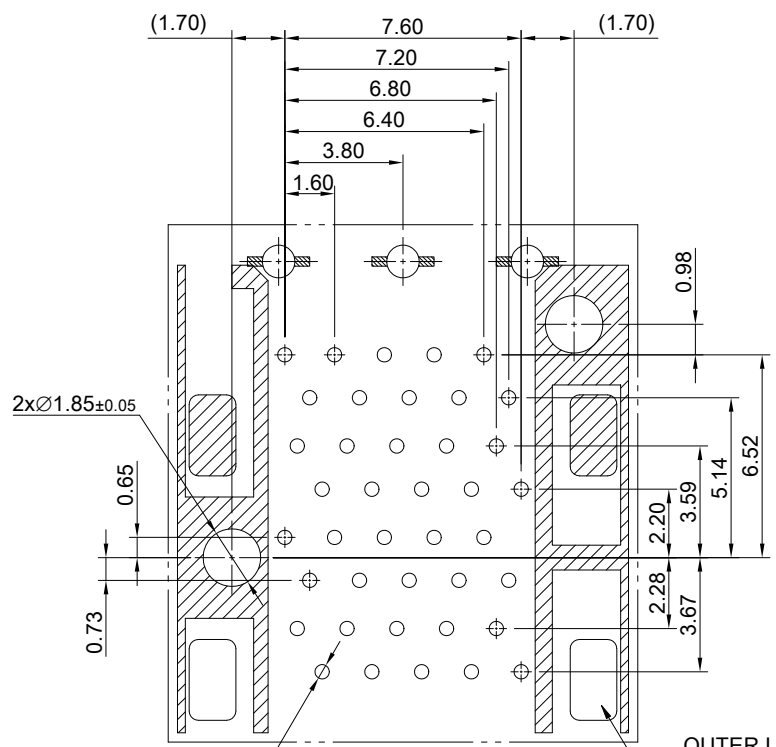
SECTION Z-Z



LED CLEARANCE REQUIREMENTS

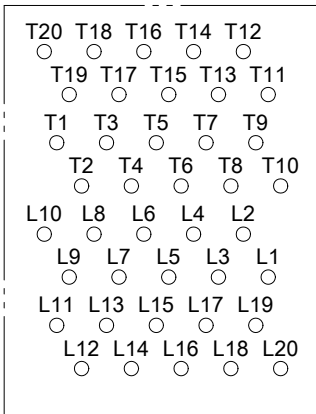


TITLE: Stacked SFP+ 2X1 Assembly w/ Internal Thermal Solution & Light Pipe			
DWG#: R-DP-008040-7-F-N2-58		SHEET: 2/3	REV. E
UNIT: mm	SCALE: A4 5:4	FINISH:	CHECKED: Gary Kang
THIRD ANGLE PROJECTION		MATERIAL: RoHS Compliant	APPROVED: George Yang
TOLERANCE: Angle: ± 1° X: ± 0.15 .X: ± 0.10 .XX: ± 0.05		DRAWN: Laura	DATE: 07/14/2022

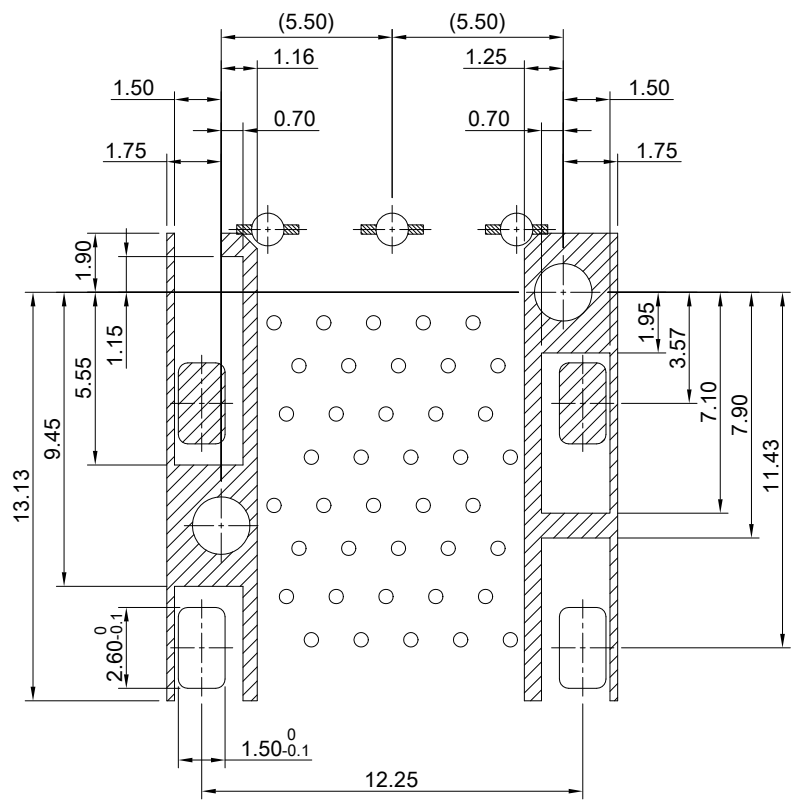


DETAIL D
TOLERANCE: \pm 0.05

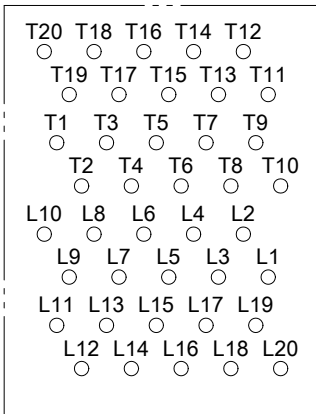
OUTER LIGHTS
OUTLINE X 2PCS
(OPTIONAL LED LAYOUT)



CONNECTOR PIN OUT



KEEPOUT ZONE DETAIL



CONNECTOR PIN OUT



TITLE: Stacked SFP+ 2X1 Assembly w/ Internal Thermal Solution & Light Pipe			
DWG#: R-DP-008040-7-F-N2-58		SHEET: 3/3	REV. E
UNIT: mm	SCALE: A4 4:1	FINISH:	CHECKED: Gary Kang
THIRD ANGLE PROJECTION		MATERIAL: RoHS Compliant	APPROVED: George Yang
TOLERANCE: Angle: \pm 1° X: \pm 0.15 .X: \pm 0.10 .XX: \pm 0.05		DRAWN: Laura	DATE: 07/14/2022