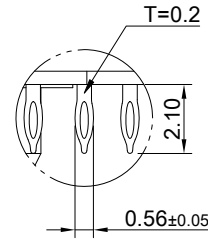
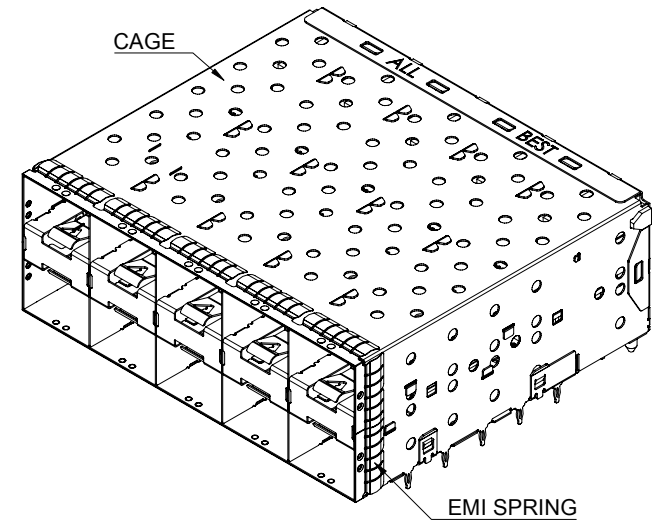


DETAIL A
SCALE 5:1



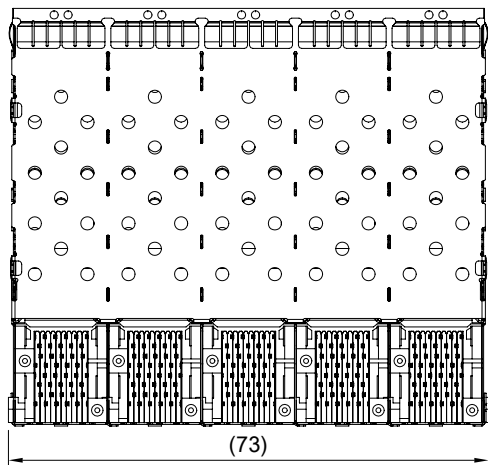
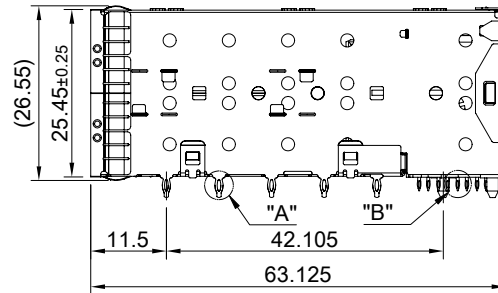
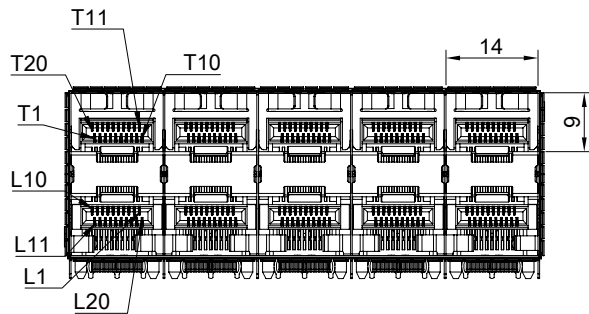
DETAIL B
SCALE 5:1



MATERIAL
 CAGE: NICKEL SILVER
 CONNECTOR: LCP 94V-0
 COPPER ALLOY
 EMI SPRING: STAINLESS STEEL

FINISH
 CONTACT: 15µ" MIN. GOLD ON MATING END;
 30µ" MIN. MATTE TIN ON TERMINATION END;
 ALL UNDERPLATED 50µ" MIN. NICKEL

ELECTRICAL CHARACTERISTICS
 CONTACT CURRENT RATING: 0.5 AMPERE
 VOLTAGE RATING: 30 VAC
 CONTACT RESISTANCE: 80 mΩ MAX.
 DIELECTRIC WITHSTANDING VOLTAGE: 300 VAC



THIS PRINT IS
PRELIMINARY
 UNQUALIFIED PRODUCT
 CONTACT PRODUCT ENGINEERING
 BEFORE USING THIS PRINT



TITLE: Stacked SFP+ 2X5 ASS'Y w/ Internal Thermal Solution

DWG#: R-OP-008200-6-F-N2-26

SHEET: 1/3
 REV. REF

UNIT: mm
 SCALE: A4 5:6

FINISH:

CHECKED:

THIRD ANGLE PROJECTION

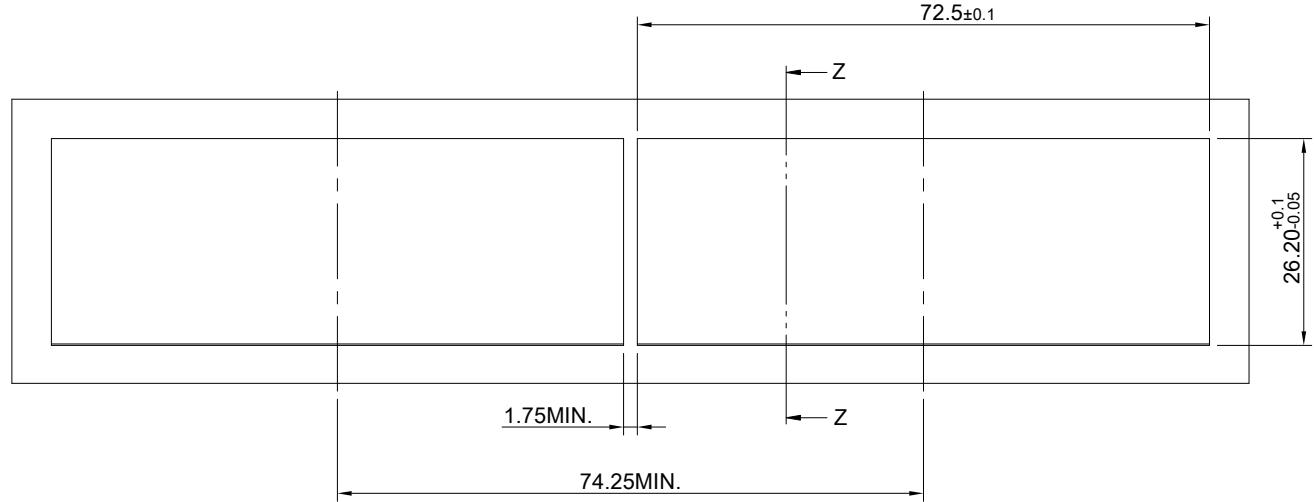
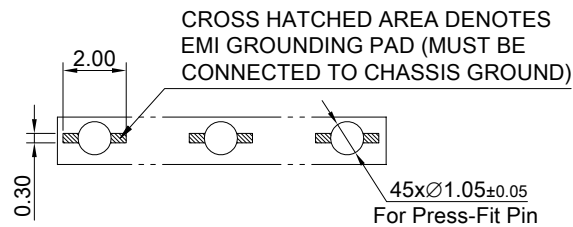
MATERIAL: **RoHS Compliant**

APPROVED:

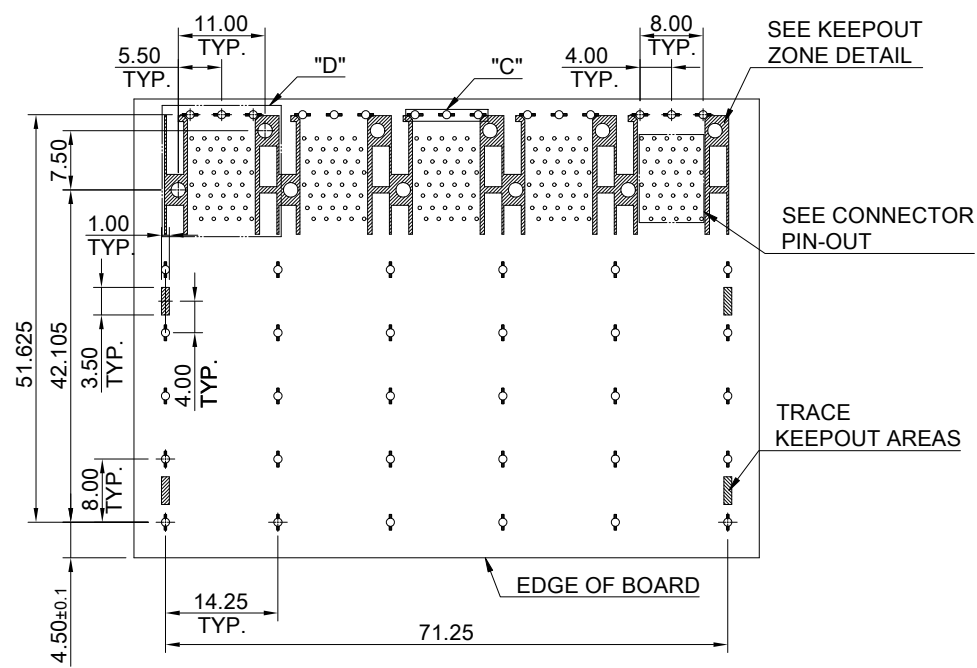
TOLERANCE: Angle: ± 1°
 X ± 0.25 .X ± 0.20 .XX ± 0.15

DRAWN: Laura

DATE: 03/14/2024

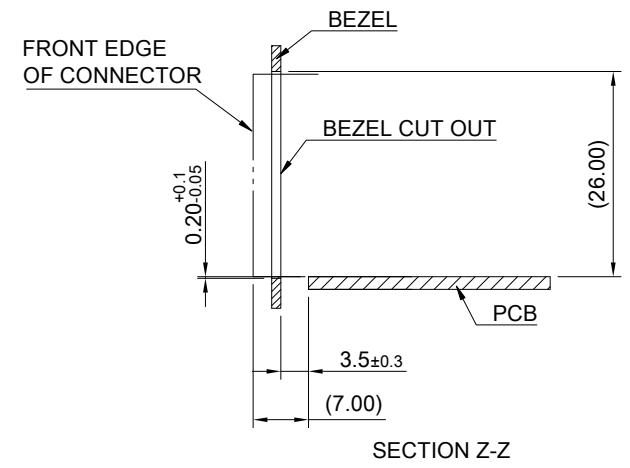


RECOMMENDED BEZEL CUT-OUT SPACING DETAIL
BEZEL THICKNESS 0.8~2.6MM

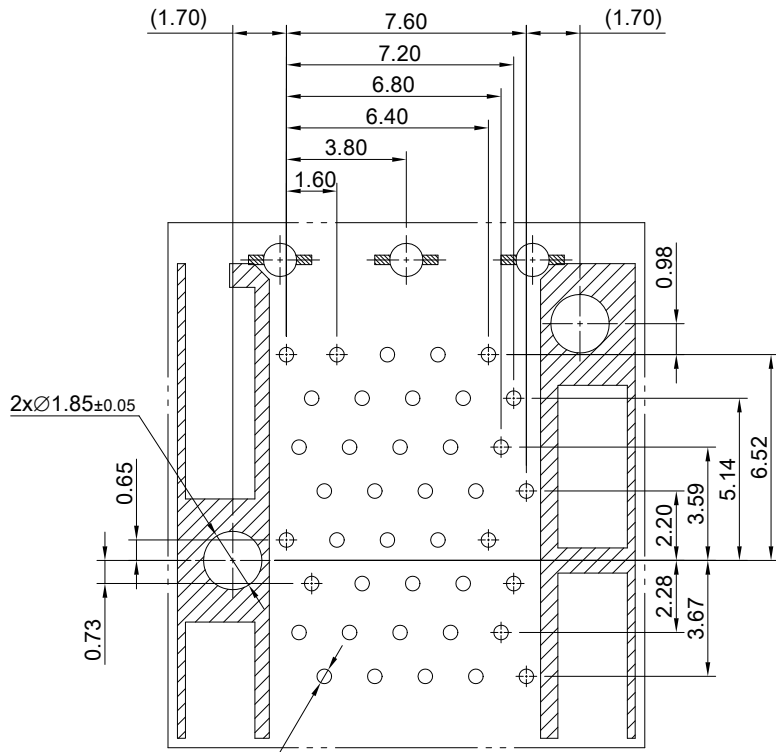


RECOMMENDED PCB LAYOUT
TOLERANCE: ±0.05
MINIMUM PCB THICKNESS OF 1.57mm

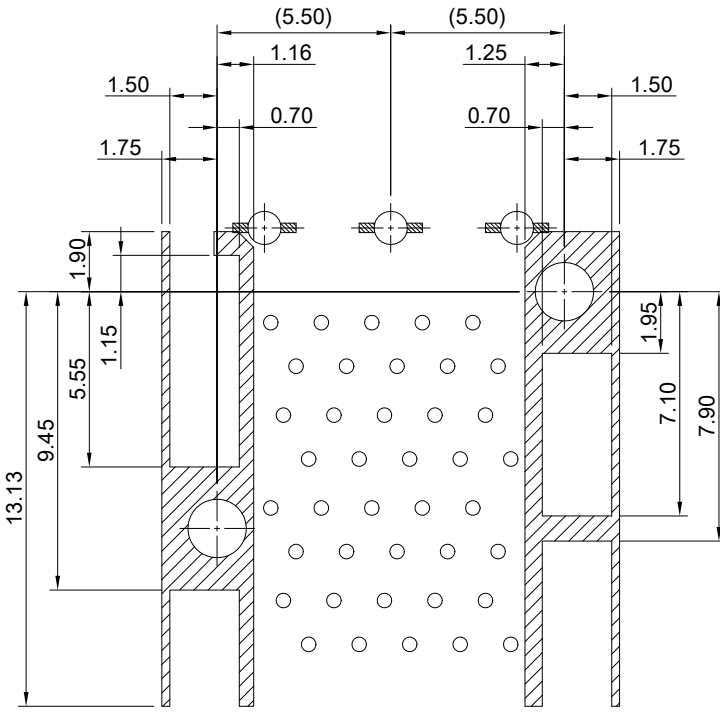
THIS PRINT IS
PRELIMINARY
UNQUALIFIED PRODUCT
CONTACT PRODUCT ENGINEERING
BEFORE USING THIS PRINT



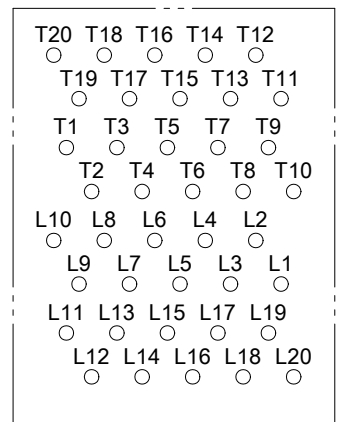
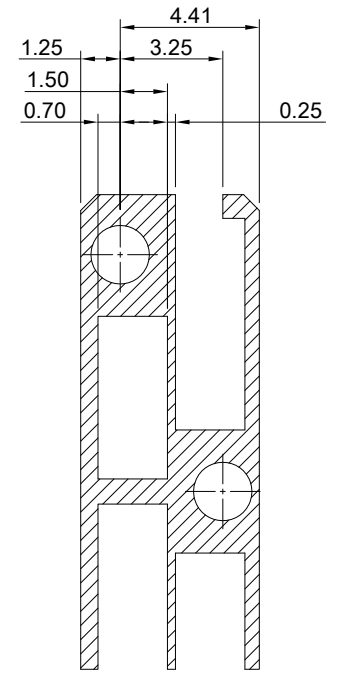
	TITLE: Stacked SFP+ 2X5 ASS'Y w/ Internal Thermal Solution		
	DWG#: R-OP-008200-6-F-N2-26		SHEET: 2/3
UNIT: mm	SCALE: A4 1:1	FINISH:	CHECKED:
	THIRD ANGLE PROJECTION	MATERIAL: RoHS Compliant	APPROVED:
	TOLERANCE: Angle: ± 1° X ± 0.15 .X ± 0.10 .XX ± 0.05	DRAWN: Laura	DATE: 03/14/2024



DETAIL D
TOLERANCE: ±0.05



KEEPOUT ZONE DETAIL



CONNECTOR PIN OUT

THIS PRINT IS
PRELIMINARY
UNQUALIFIED PRODUCT
CONTACT PRODUCT ENGINEERING
BEFORE USING THIS PRINT



TITLE: Stacked SFP+ 2X5 ASS'Y w/ Internal Thermal Solution			
DWG#: R-OP-008200-6-F-N2-26		SHEET: 3/3	REV. REF
UNIT: mm	SCALE: A4 4:1	FINISH:	CHECKED:
TOLERANCE: Angle: ± 1° X.± 0.15 .X± 0.10 .XX± 0.05		MATERIAL: RoHS Compliant	APPROVED:
THIRD ANGLE PROJECTION		DRAWN: Laura	DATE: 03/14/2024