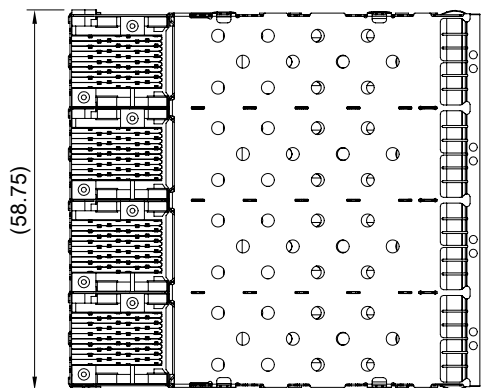


MATERIAL  
CAGE: NICKEL SILVER  
CONNECTOR: LCP 94V-0  
COPPER ALLOY  
EMI SPRING: STAINLESS STEEL

FINISH  
CONTACT: 15µ" MIN. GOLD ON MATING END;  
30µ" MIN. MATTE TIN ON TERMINATION END;  
ALL UNDERPLATED 50µ" MIN. NICKEL

ELECTRICAL CHARACTERISTICS  
CONTACT CURRENT RATING: 0.5 AMPERE  
VOLTAGE RATING: 30 VAC  
CONTACT RESISTANCE: 80 mΩ MAX.  
DIELECTRIC WITHSTANDING VOLTAGE: 300VAC



TITLE: Stacked SFP+ 2X4 ASS'Y w/ Internal Thermal Solution

DWG#: R-OP-008160-6-F-N2-26

UNIT: mm

SCALE: A4 1:1

FINISH:

SHEET: 1/3  
REV. D

CHECKED: Gary Yang

THIRD ANGLE PROJECTION

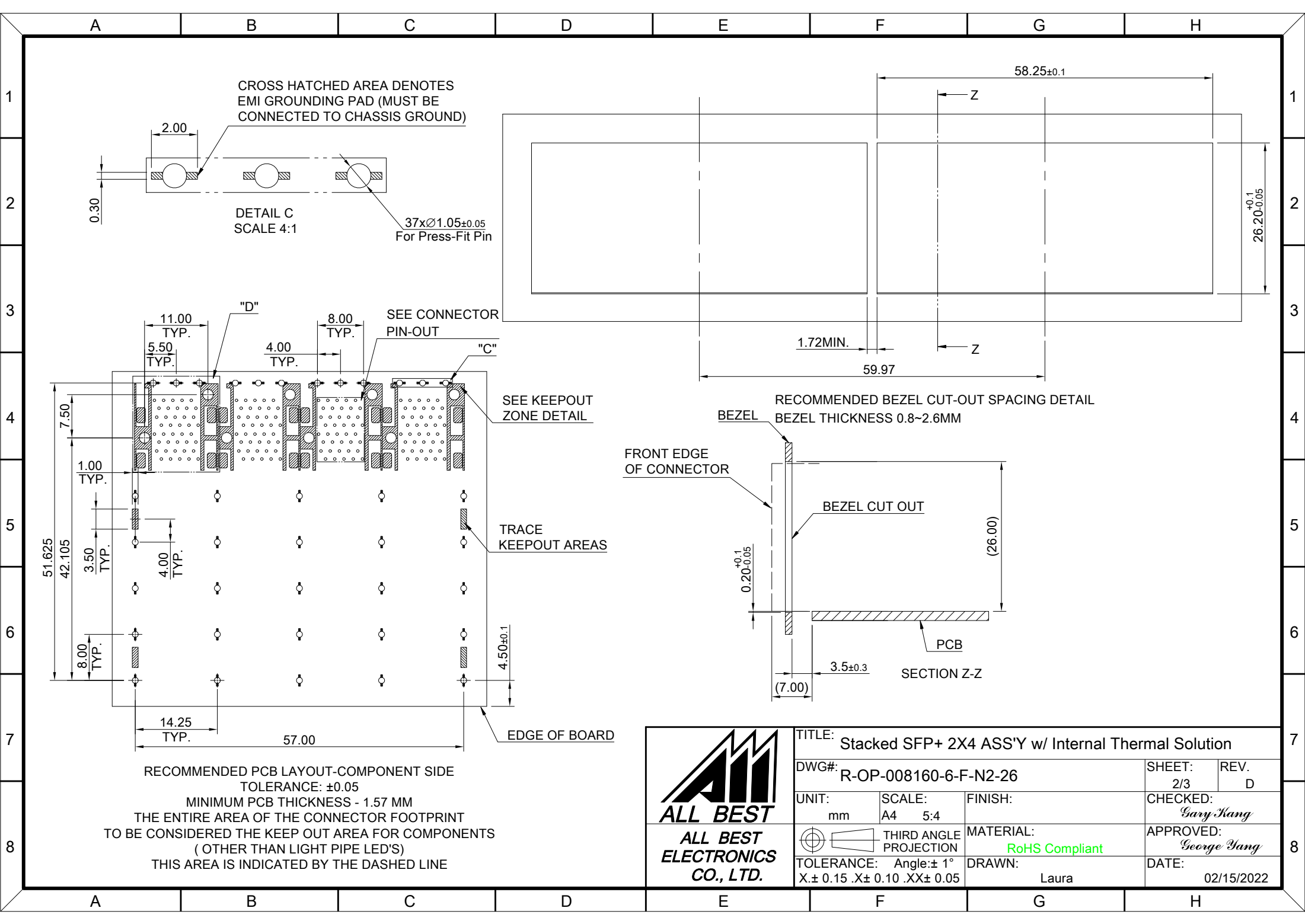
MATERIAL: RoHS Compliant

APPROVED: George Yang

TOLERANCE: Angle: ± 1°  
X ± 0.25 .X ± 0.20 .XX ± 0.15

DRAWN: Laura

DATE: 02/15/2022



CROSS HATCHED AREA DENOTES EMI GROUNDING PAD (MUST BE CONNECTED TO CHASSIS GROUND)

DETAIL C SCALE 4:1

37xØ1.05±0.05 For Press-Fit Pin

"D" 11.00 TYP. 8.00 TYP. SEE CONNECTOR PIN-OUT "C" 4.00 TYP.

SEE KEEPOUT ZONE DETAIL

TRACE KEEPOUT AREAS

EDGE OF BOARD

RECOMMENDED PCB LAYOUT-COMPONENT SIDE TOLERANCE: ±0.05

MINIMUM PCB THICKNESS - 1.57 MM

THE ENTIRE AREA OF THE CONNECTOR FOOTPRINT TO BE CONSIDERED THE KEEP OUT AREA FOR COMPONENTS (OTHER THAN LIGHT PIPE LED'S)

THIS AREA IS INDICATED BY THE DASHED LINE

RECOMMENDED BEZEL CUT-OUT SPACING DETAIL BEZEL THICKNESS 0.8~2.6MM

FRONT EDGE OF CONNECTOR

BEZEL CUT OUT

SECTION Z-Z

3.5±0.3

0.20±0.05

(26.00)

PCB

(7.00)

1.72MIN.

59.97

Z

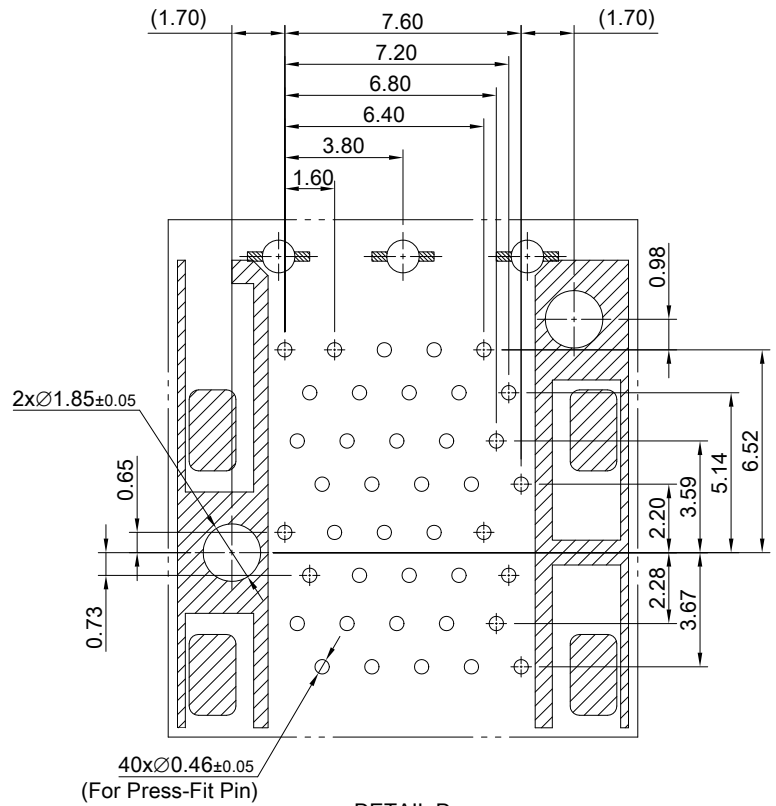
Z

58.25±0.1

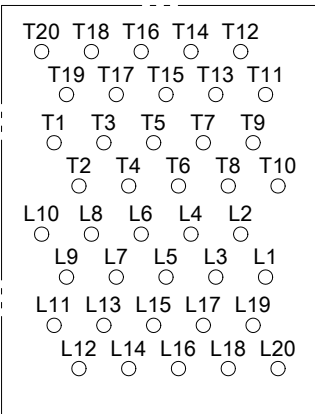
±0.1  
26.20±0.05



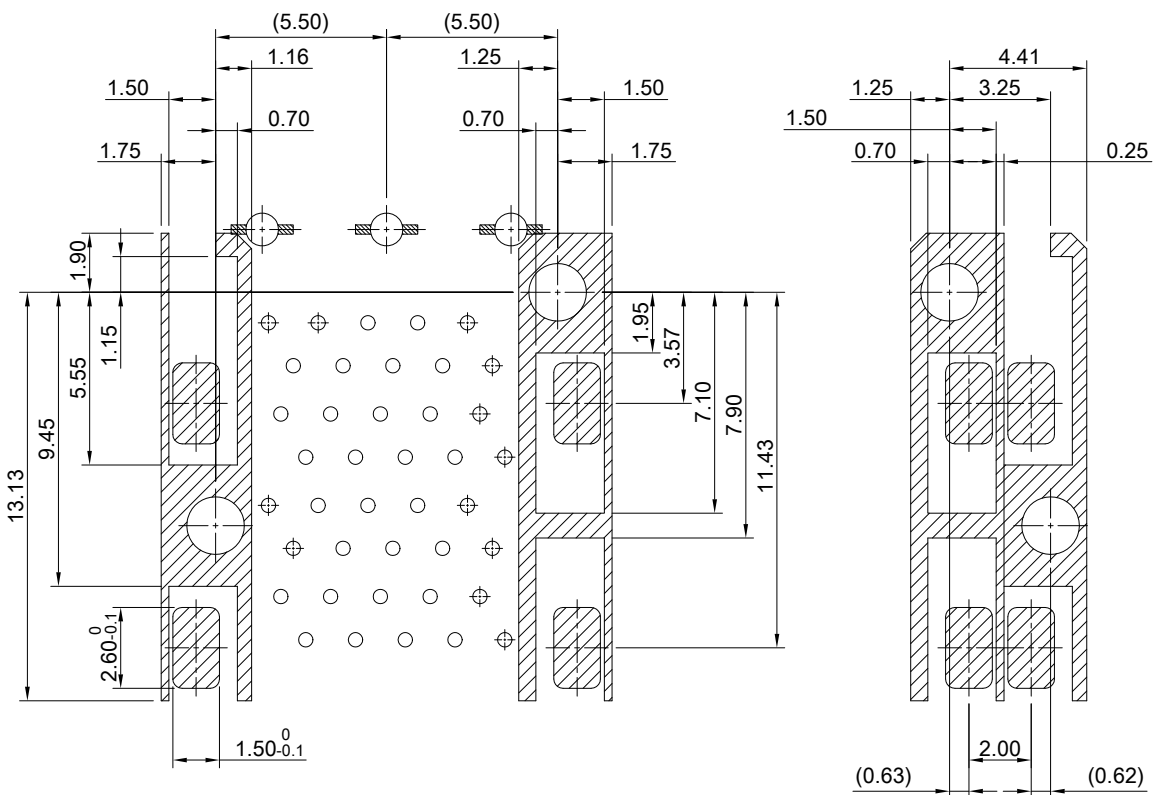
TITLE: Stacked SFP+ 2X4 ASS'Y w/ Internal Thermal Solution			
DWG#: R-OP-008160-6-F-N2-26		SHEET: 2/3	REV. D
UNIT: mm	SCALE: A4 5:4	FINISH:	CHECKED: Gary Yang
THIRD ANGLE PROJECTION		MATERIAL: RoHS Compliant	APPROVED: George Yang
TOLERANCE: Angle: ±1° X: ±0.15 .X: ±0.10 .XX: ±0.05		DRAWN: Laura	DATE: 02/15/2022



DETAIL D  
TOLERANCE: ±0.05



CONNECTOR PIN OUT



KEEPOUT ZONE DETAIL



TITLE: Stacked SFP+ 2X4 ASS'Y w/ Internal Thermal Solution			
DWG#: R-OP-008160-6-F-N2-26		SHEET: 3/3	REV. D
UNIT: mm	SCALE: A4 4:1	FINISH:	CHECKED: Gary Yang
THIRD ANGLE PROJECTION		MATERIAL: RoHS Compliant	APPROVED: George Yang
TOLERANCE: Angle: ± 1° X: ± 0.15 .X ± 0.10 .XX ± 0.05		DRAWN: Laura	DATE: 02/15/2022