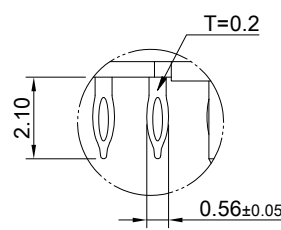
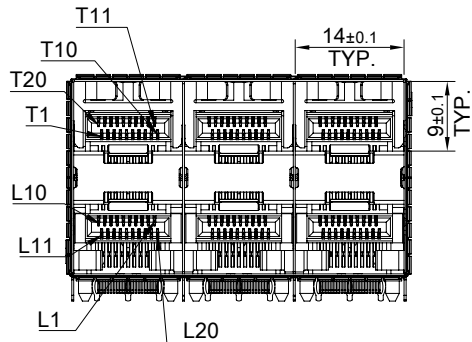
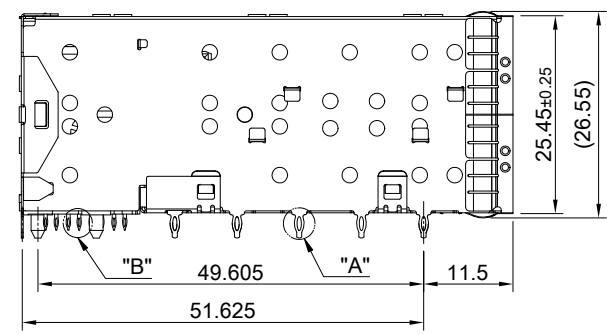
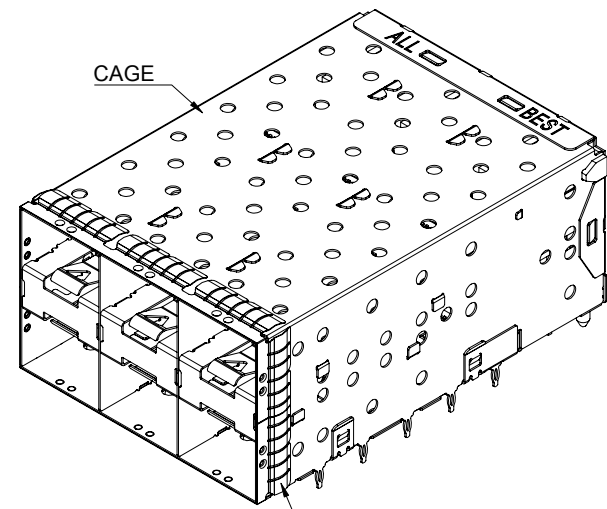


DETAIL A  
SCALE 5:1



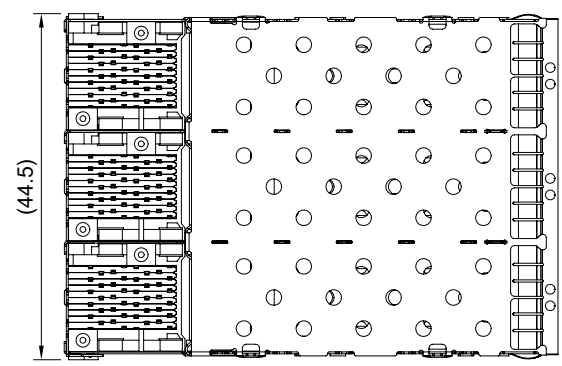
DETAIL B  
SCALE 5:1



MATERIAL  
 CAGE: NICKEL SILVER  
 CONNECTOR: LCP 94V-0  
                   COPPER ALLOY  
 EMI SPRING: STAINLESS STEEL

FINISH  
 CONTACT: 15µ" MIN. GOLD ON MATING END;  
 120µ" MIN. MATTE TIN ON TERMINATION END;  
 ALL UNDERPLATED 50µ" MIN. NICKEL

ELECTRICAL CHARACTERISTICS  
 CONTACT CURRENT RATING: 0.5 AMPERE  
 VOLTAGE RATING: 30 VAC  
 CONTACT RESISTANCE: 80 mΩ MAX.  
 DIELECTRIC WITHSTANDING VOLTAGE: 300 VAC

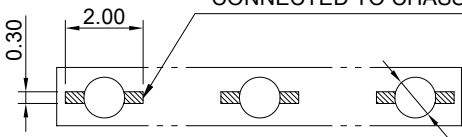


	TITLE: Stacked SFP+ 2X3 ASS'Y w/ Thermal Solution			SHEET: 1/3	REV. A
	DWG#: R-OP-008120-6-F-N2-26			CHECKED: Gary Kang	
	UNIT: mm	SCALE: A4 1:1	FINISH:	APPROVED: George Yang	
	TOLERANCE: X±0.25 .X±0.20 .XX±0.15		MATERIAL: RoHS Compliant	DATE: 06/03/2020	
THIRD ANGLE PROJECTION		DRAWN: Boris			

A B C D E F G H

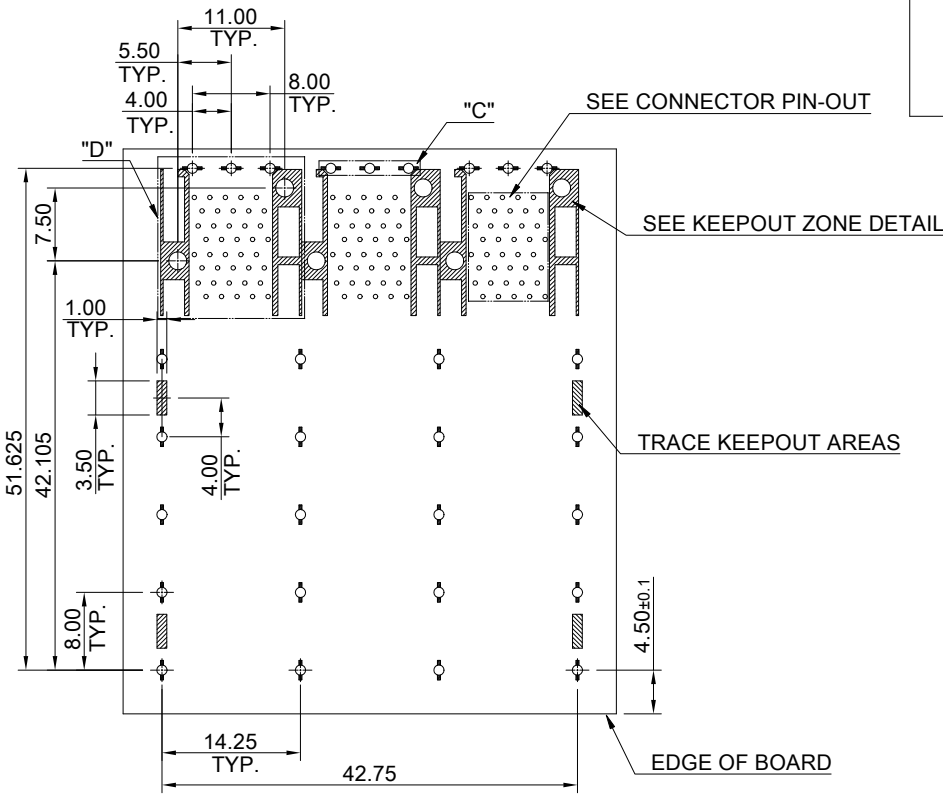
1  
2  
3  
4  
5  
6  
7  
8

CROSS HATCHED AREA DENOTES  
EMI GROUNDING PAD (MUST BE  
CONNECTED TO CHASSIS GROUND)

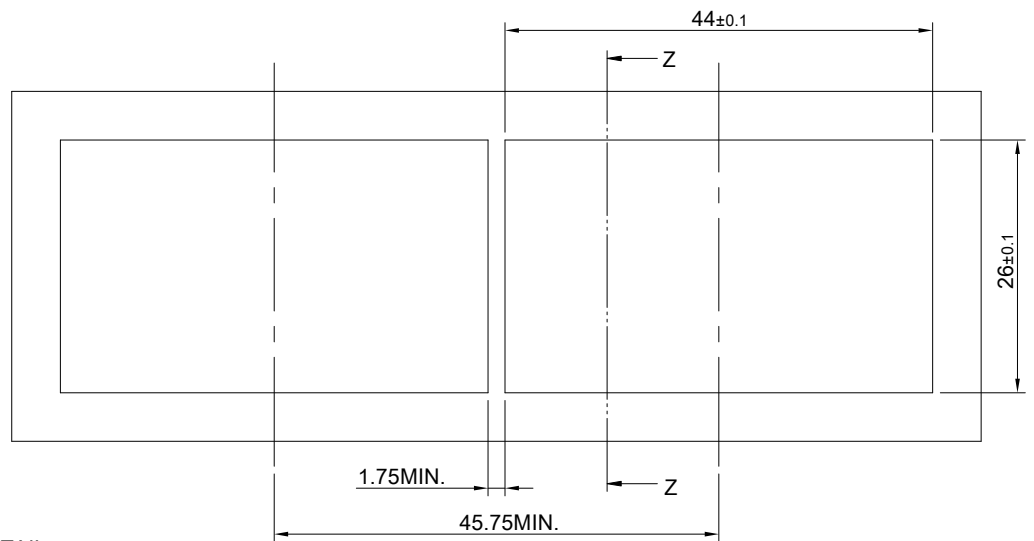


DETAIL C  
SCALE 4:1

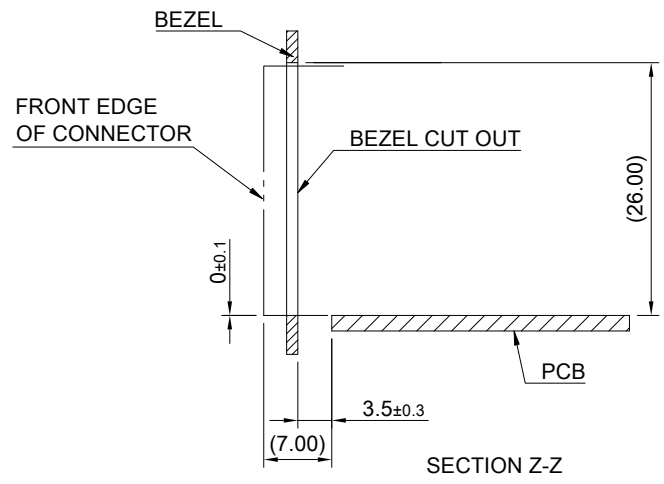
29xØ1.05±0.05  
For Press-Fit Pin



RECOMMENDED PCB LAYOUT-COMPONENT SIDE  
TOLERANCE: ±0.05  
MINIMUM PCB THICKNESS - 1.57 MM  
THE ENTIRE AREA OF THE CONNECTOR FOOTPRINT  
TO BE CONSIDERED THE KEEP OUT AREA FOR COMPONENTS  
( OTHER THAN LIGHT PIPE LED'S)  
THIS AREA IS INDICATED BY THE DASHED LINE



RECOMMENDED BEZEL CUT-OUT SPACING DETAIL  
BEZEL THICKNESS 0.8~2.6MM

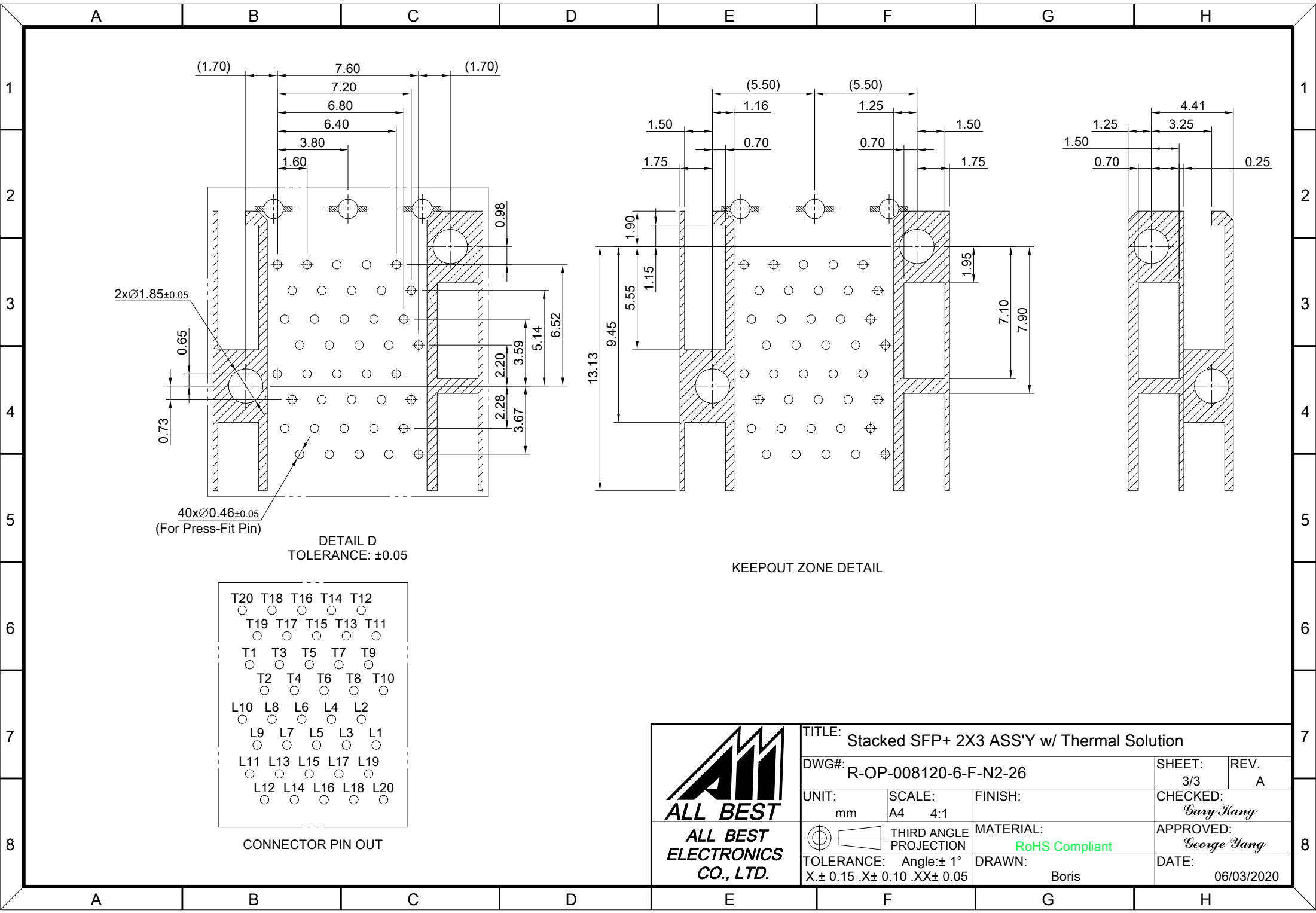


SECTION Z-Z



TITLE: Stacked SFP+ 2X3 ASS'Y w/ Thermal Solution			
DWG#: R-OP-008120-6-F-N2-26		SHEET: 2/3	REV. A
UNIT: mm	SCALE: A4 5:4	FINISH:	CHECKED: Gary Kang
THIRD ANGLE PROJECTION		MATERIAL: RoHS Compliant	APPROVED: George Yang
TOLERANCE: X± 0.15 .X± 0.10 .XX± 0.05		DRAWN: Boris	DATE: 06/03/2020

A B C D E F G H

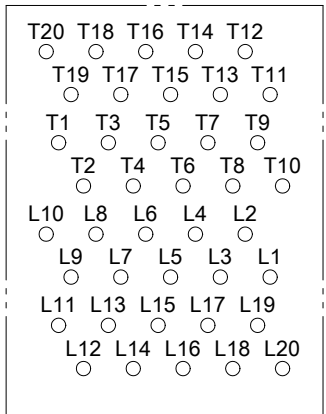


2x $\varnothing$ 1.85 $\pm$ 0.05

40x $\varnothing$ 0.46 $\pm$ 0.05  
(For Press-Fit Pin)

DETAIL D  
TOLERANCE:  $\pm$ 0.05

KEEPOUT ZONE DETAIL



CONNECTOR PIN OUT



TITLE: Stacked SFP+ 2X3 ASS'Y w/ Thermal Solution			
DWG#: R-OP-008120-6-F-N2-26		SHEET: 3/3	REV. A
UNIT: mm	SCALE: A4 4:1	FINISH:	CHECKED: Gary Kang
THIRD ANGLE PROJECTION		MATERIAL: RoHS Compliant	APPROVED: George Yang
TOLERANCE: Angle: $\pm$ 1° X: $\pm$ 0.15 .X: $\pm$ 0.10 .XX: $\pm$ 0.05		DRAWN: Boris	DATE: 06/03/2020