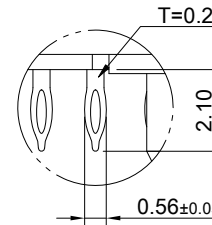
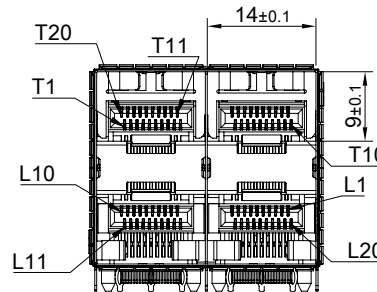
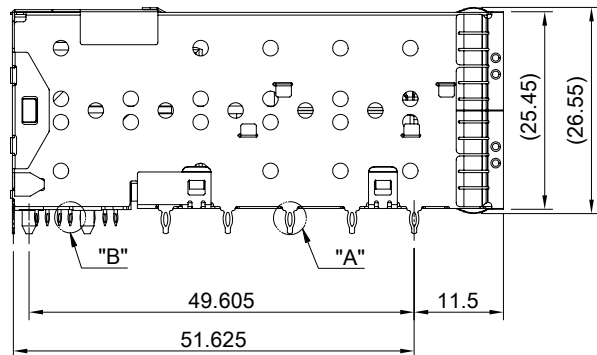
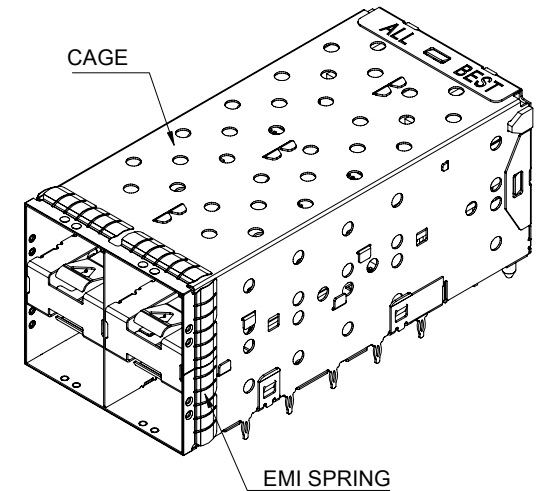


DETAIL A
SCALE 5:1



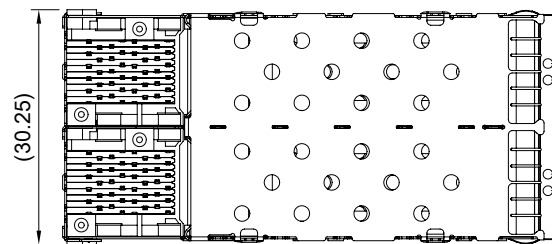
DETAIL B
SCALE 5:1



MATERIAL
 CAGE: NICKEL SILVER
 CONNECTOR: LCP 94V-0
 COPPER ALLOY
 EMI SPRING: STAINLESS STEEL

FINISH
 CONTACT: 15µ" MIN. GOLD ON MATING END;
 120µ" MIN. MATTE TIN ON TERMINATION END;
 ALL UNDERPLATED 50µ" MIN. NICKEL

ELECTRICAL CHARACTERISTICS
 CONTACT CURRENT RATING: 0.5 AMPERE
 VOLTAGE RATING: 30 VAC
 CONTACT RESISTANCE: 80 mΩ MAX.
 DIELECTRIC WITHSTANDING VOLTAGE: 300VAC



TITLE: Stacked SFP+ 2X2 ASS'Y w/ Internal Thermal Solution

DWG#: R-OP-008080-6-F-N2-26

SHEET: 1/3
 REV. D

UNIT: mm
 SCALE: A4 1:1

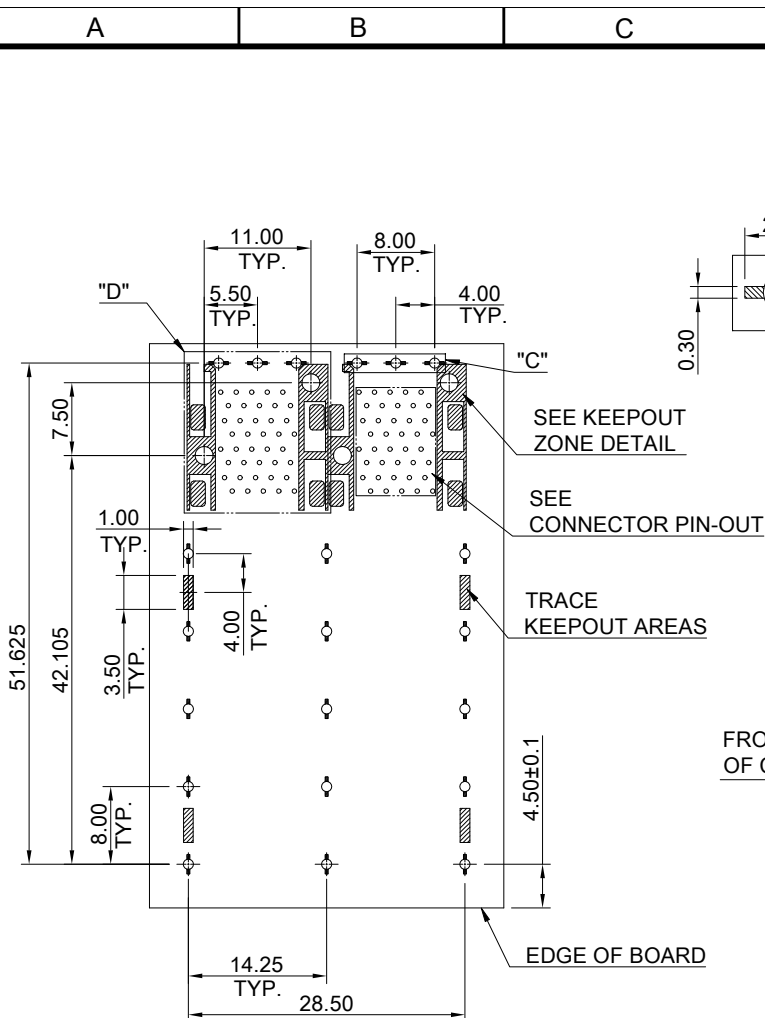
FINISH: CHECKED: Gary Kang

THIRD ANGLE PROJECTION

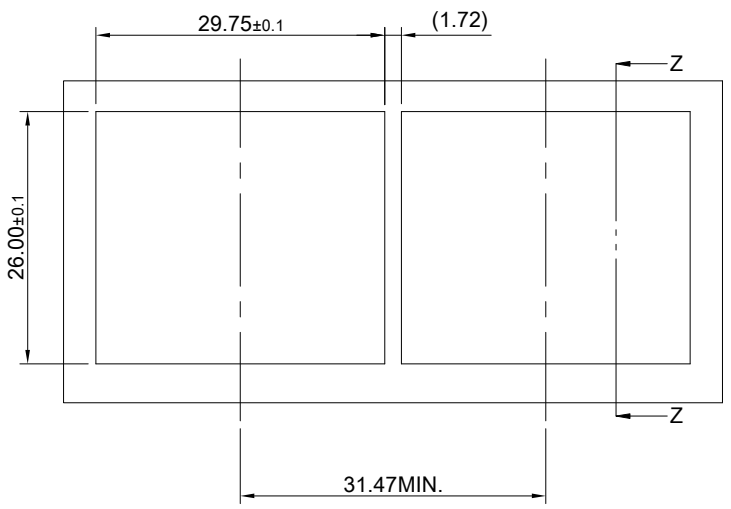
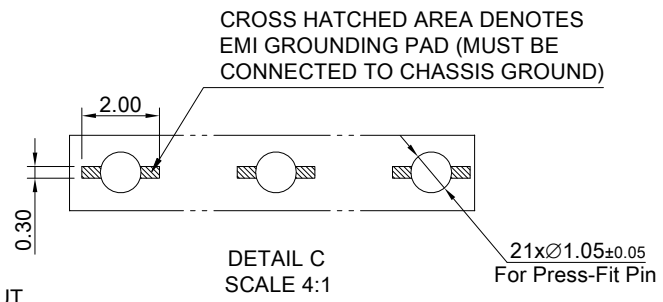
MATERIAL: RoHS Compliant
 APPROVED: George Yang

TOLERANCE: Angle: ± 1°
 X ± 0.25 .X ± 0.20 .XX ± 0.15

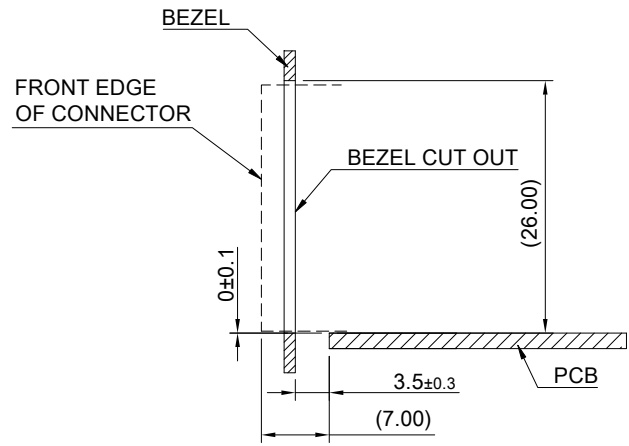
DRAWN: Laura
 DATE: 04/21/2021



RECOMMENDED PCB LAYOUT
 TOLERANCE: ±0.05
 MINIMUM PCB THICKNESS OF 1.57MM

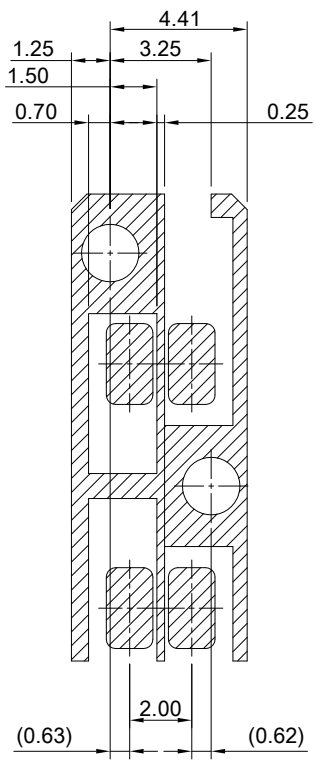
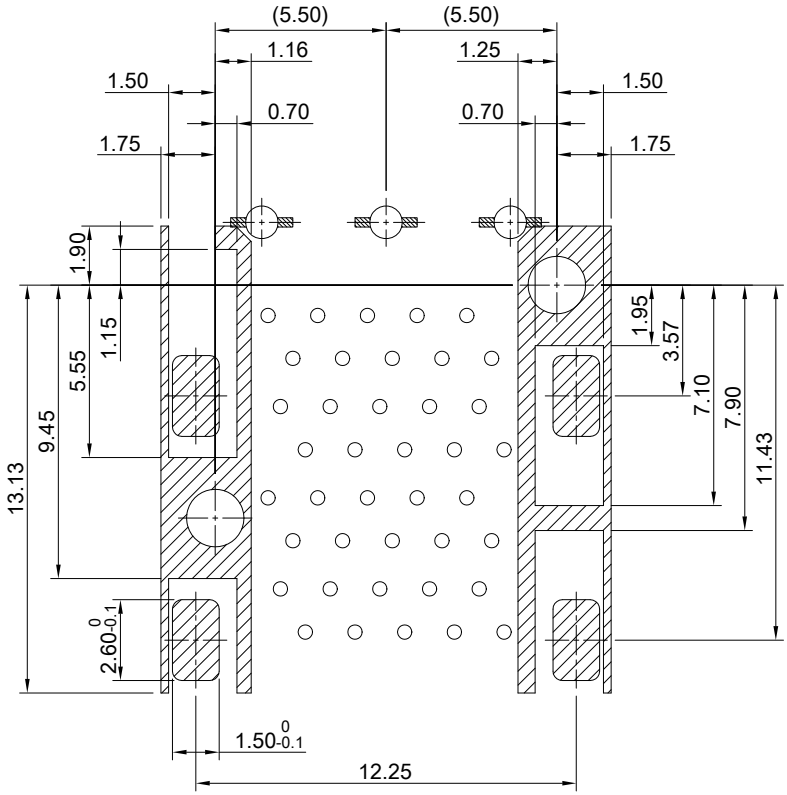
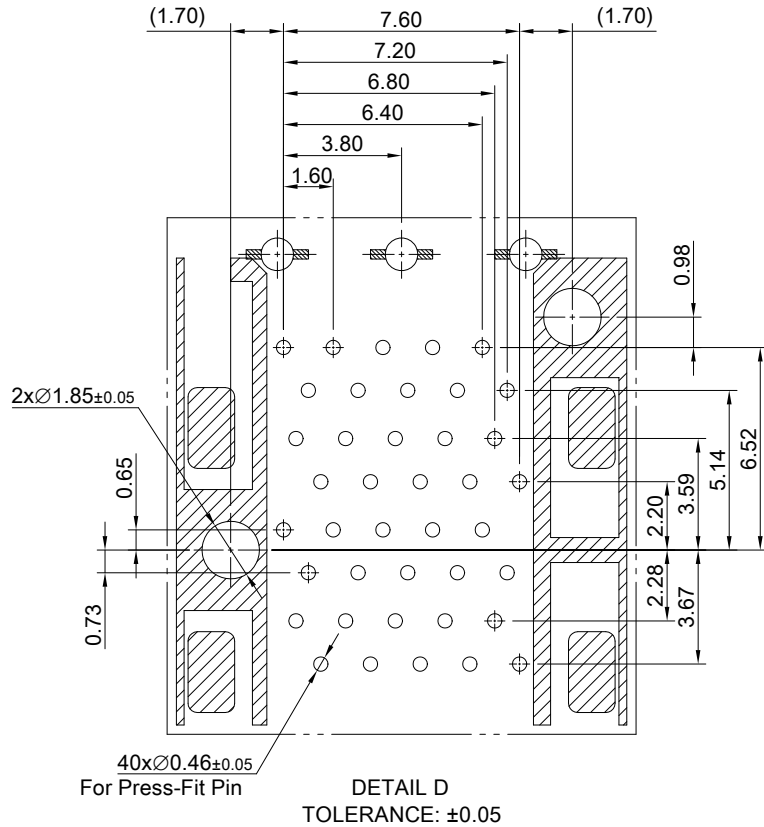
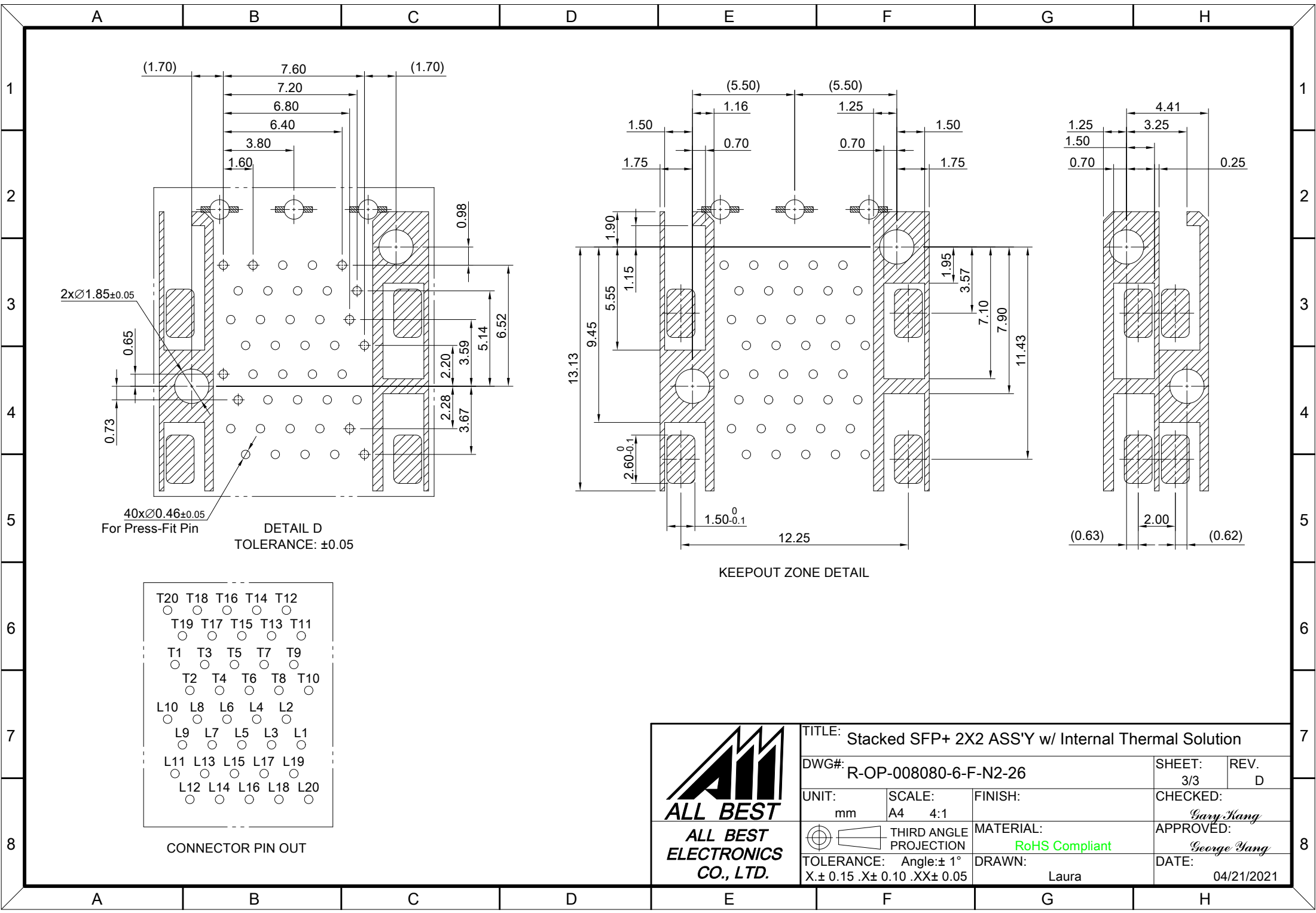


RECOMMENDED BEZEL CUT-OUT SPACING DETAIL
 BEZEL THICKNESS 0.8~2.6MM

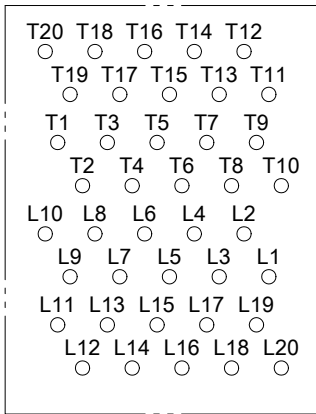


SECTION Z-Z

| | | | | | | |
|--|--|---------------|------------------------|--------------------------|------------------|--------|
| | TITLE: Stacked SFP+ 2X2 ASS'Y w/ Internal Thermal Solution | | | SHEET: 2/3 | | REV. D |
| | DWG#: R-OP-008080-6-F-N2-26 | | | CHECKED: Gary Kang | | |
| | UNIT: mm | SCALE: A4 5:4 | FINISH: | APPROVED: George Yang | | |
| | TOLERANCE: X±0.15 .X±0.10 .XX±0.05 | | THIRD ANGLE PROJECTION | MATERIAL: RoHS Compliant | DATE: 04/21/2021 | |
| | | | DRAWN: Laura | | | |



KEEPOUT ZONE DETAIL



CONNECTOR PIN OUT



| | | | |
|--|----------------------|---------------------------------|------------------------------|
| TITLE: Stacked SFP+ 2X2 ASS'Y w/ Internal Thermal Solution | | | |
| DWG#: R-OP-008080-6-F-N2-26 | | SHEET: 3/3 | REV.: D |
| UNIT: mm | SCALE: A4 4:1 | FINISH: | CHECKED: Gary Kang |
| THIRD ANGLE PROJECTION | | MATERIAL: RoHS Compliant | APPROVED: George Yang |
| TOLERANCE: Angle: $\pm 1^\circ$ $X \pm 0.15$. $XX \pm 0.05$ | | DRAWN: Laura | DATE: 04/21/2021 |