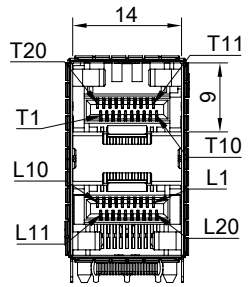
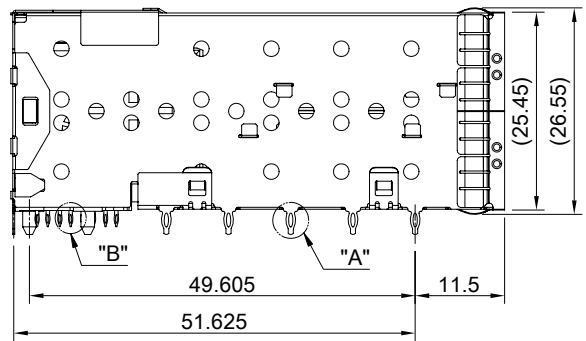
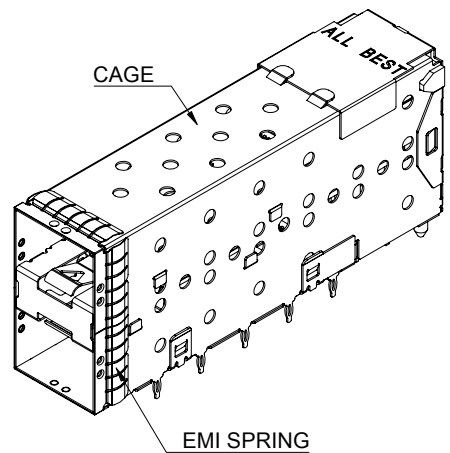


DETAIL A  
SCALE 5:1

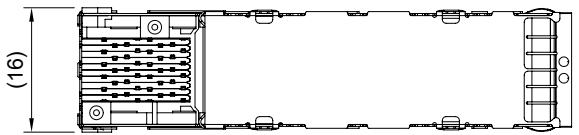
DETAIL B  
SCALE 5:1



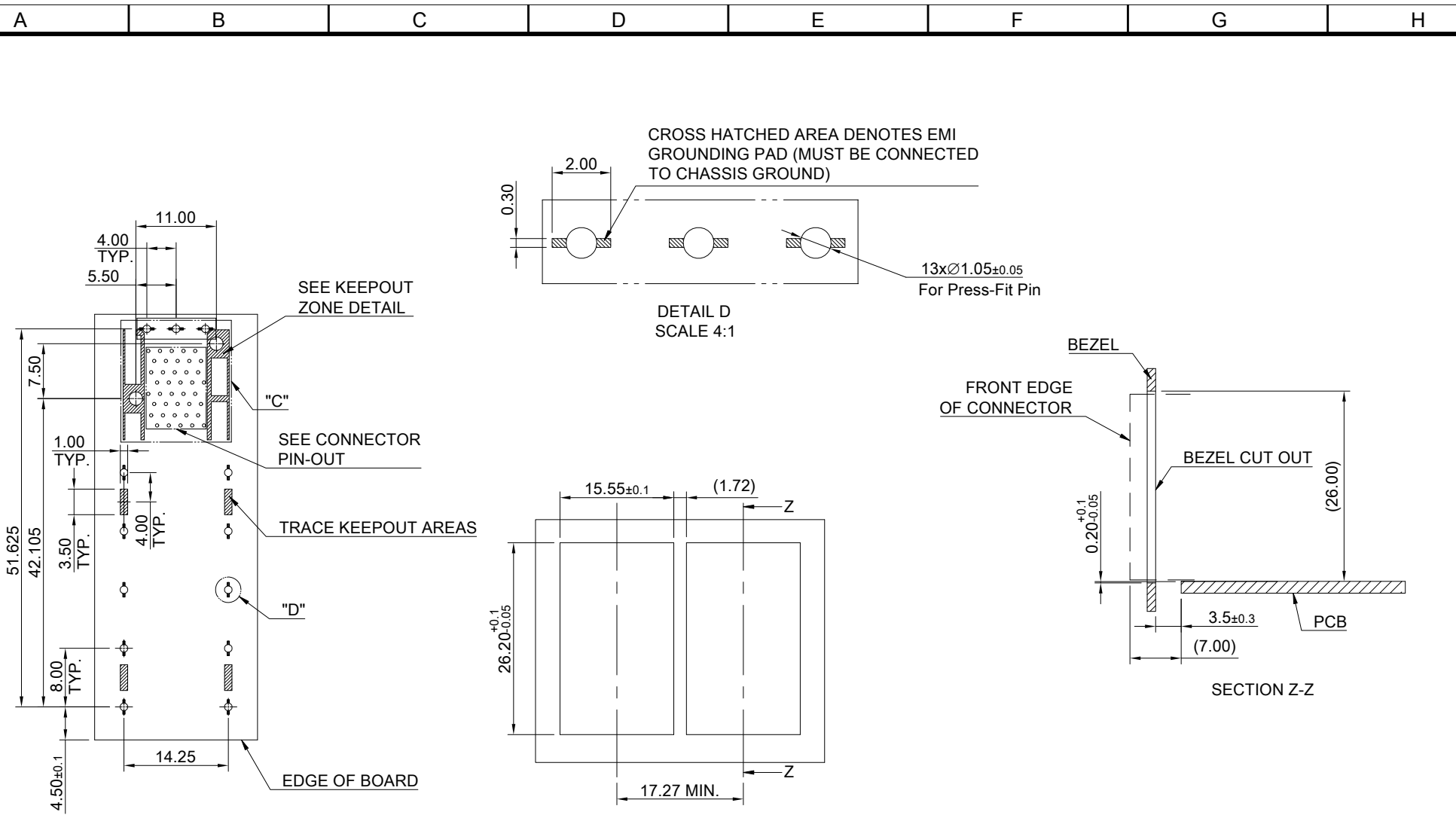
MATERIAL  
CAGE: NICKEL SILVER  
CONNECTOR: LCP 94V-0  
COPPER ALLOY  
EMI SPRING: STAINLESS STEEL

FINISH  
CONTACT: 15μ" MIN. GOLD ON MATING END;  
30μ" MIN. MATTE TIN ON TERMINATION END;  
ALL UNDERPLATED 50μ" MIN. NICKEL

ELECTRICAL CHARACTERISTICS  
CONTACT CURRENT RATING: 0.5 AMPERE  
VOLTAGE RATING: 30V AC  
CONTACT RESISTANCE: 80 mΩ MAX.  
DIELECTRIC WITHSTANDING VOLTAGE: 300VAC



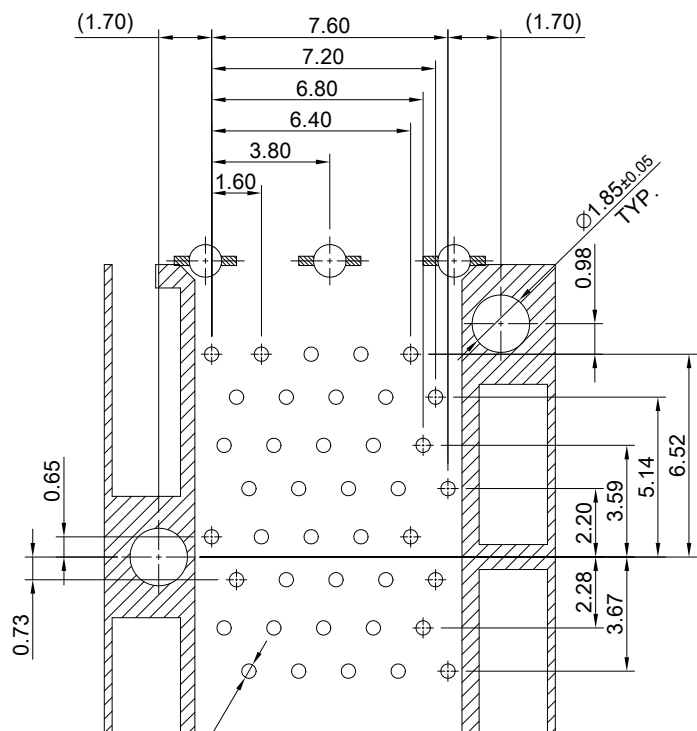
TITLE: Stacked SFP+ 2X1 ASS'Y w/ Internal Thermal Solution			
DWG#: R-DP-008040-6-F-N2-26		SHEET: 1/3	REV. E
UNIT: mm	SCALE: A4 1:1	CHECKED: Gary Kang	
THIRD ANGLE PROJECTION		APPROVED: George Yang	
TOLERANCE: Angle: ± 1° X.± 0.25 .XX± 0.15		MATERIAL: RoHS Compliant	DATE: 07/14/2022
		DRAWN: Laura	



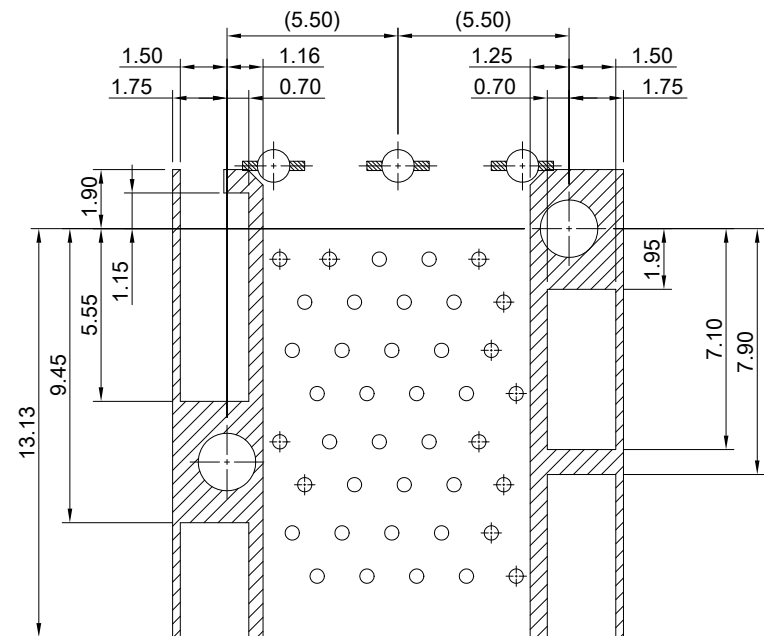
RECOMMENDED PCB LAYOUT  
 TOLERANCE:  $\pm$ 0.05  
 MINIMUM PCB THICKNESS OF 1.57MM



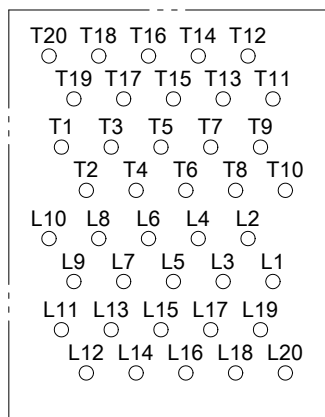
TITLE: Stacked SFP+ 2X1 ASS'Y w/ Internal Thermal Solution			
DWG#: R-DP-008040-6-F-N2-26		SHEET: 2/3	REV. E
UNIT: mm	SCALE: A4 5:4	FINISH:	CHECKED: Gary Kang
THIRD ANGLE PROJECTION		MATERIAL: RoHS Compliant	APPROVED: George Yang
TOLERANCE: Angle: $\pm$ 1° X: $\pm$ 0.15 .X: $\pm$ 0.10 .XX: $\pm$ 0.05		DRAWN: Laura	DATE: 07/14/2022



DETAIL C  
TOLERANCE:  $\pm 0.05$



KEEPOUT ZONE DETAIL



CONNECTOR PIN OUT



TITLE: Stacked SFP+ 2X1 ASS'Y w/ Internal Thermal Solution

DWG#: R-DP-008040-6-F-N2-26

UNIT: mm

SCALE: A4 4:1

FINISH:

SHEET: 3/3  
REV. E

THIRD ANGLE PROJECTION

MATERIAL: RoHS Compliant

CHECKED: Gary Kang  
APPROVED: George Yang

TOLERANCE: Angle:  $\pm 1^\circ$   
X:  $\pm 0.15$  .X:  $\pm 0.10$  .XX:  $\pm 0.05$

DRAWN: Laura

DATE: 07/14/2022