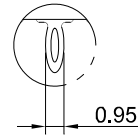
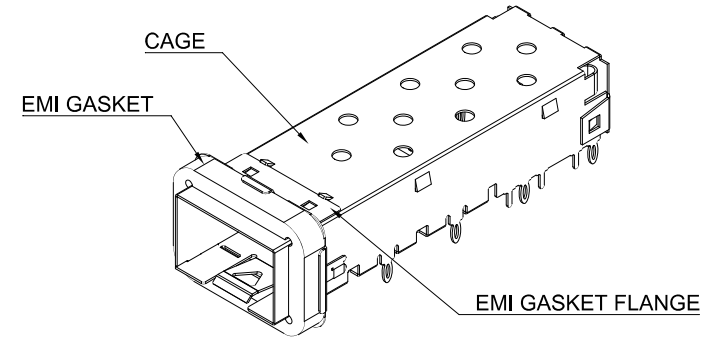


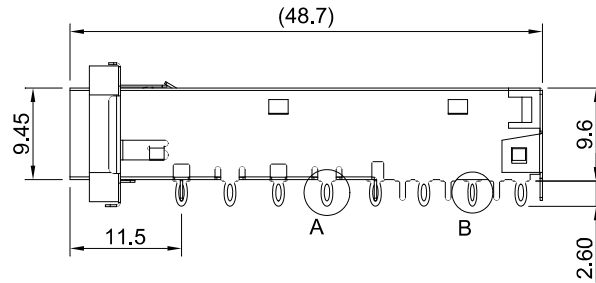
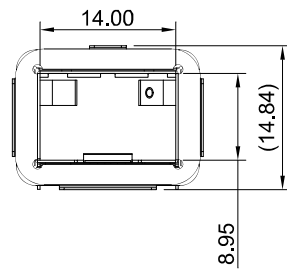
DETAIL A
SCALE 2:1


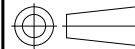


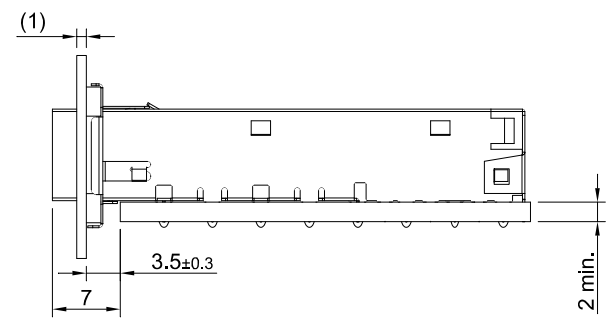
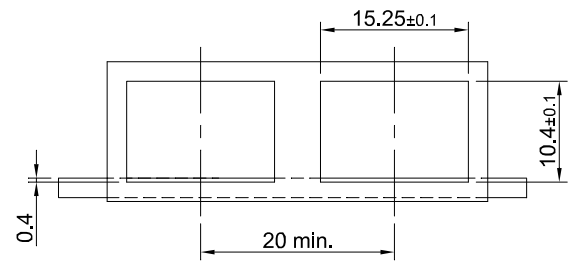
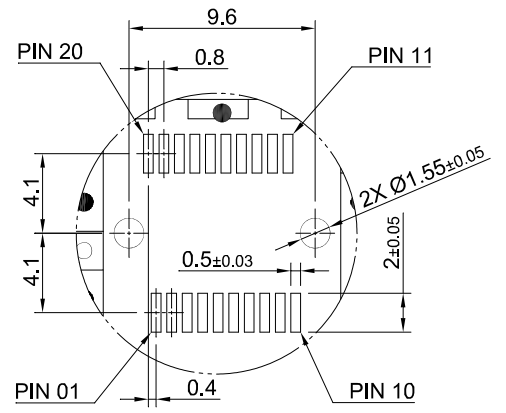
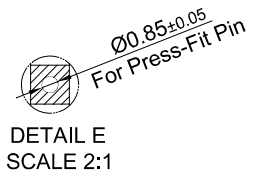
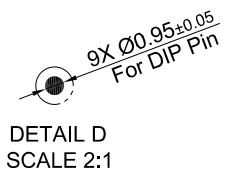
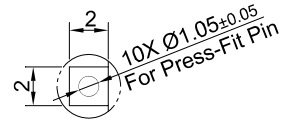
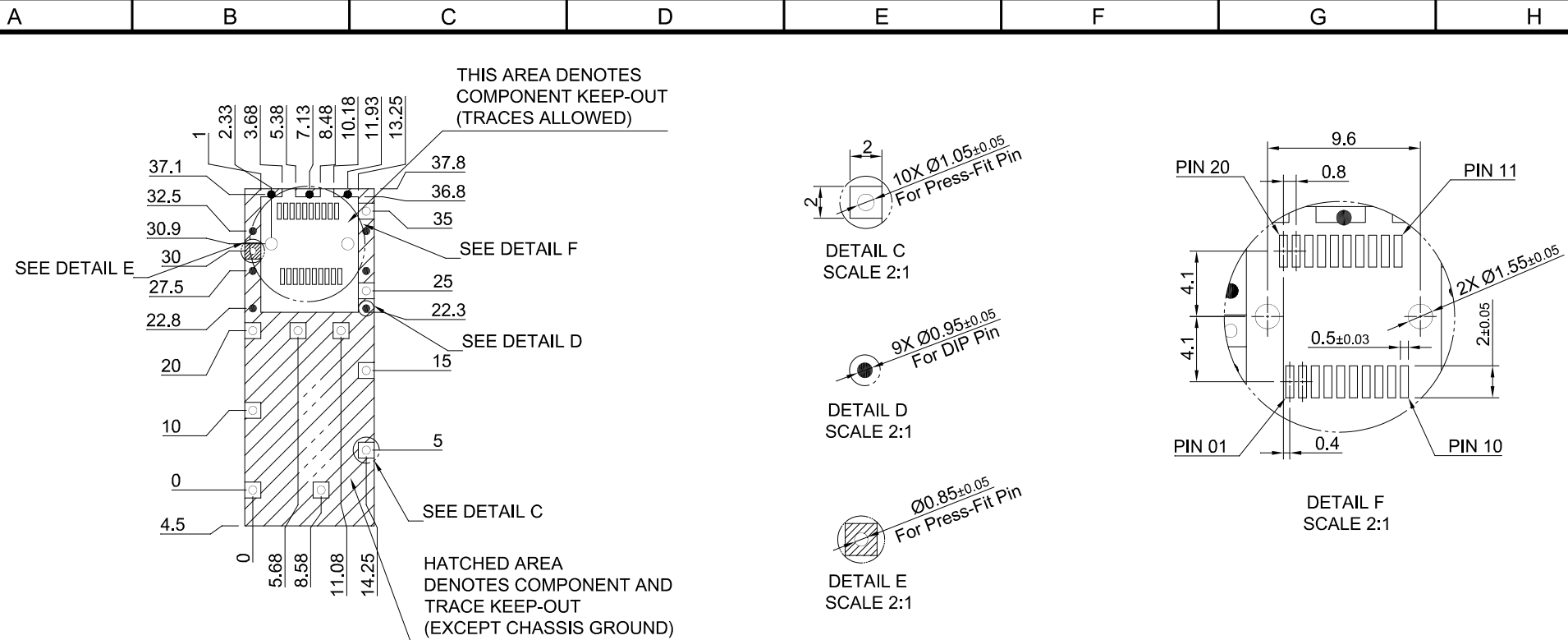
DETAIL B
SCALE 2:1



MATERIAL
 CAGE: NICKEL SILVER
 EMI GASKET FLANGE: STAINLESS STEEL
 EMI GASKET: CONDUCTIVE ELASTOMER



 ALL BEST ALL BEST ELECTRONICS CO., LTD.	TITLE: SFP+ 1X1 Cage w/ Elastic Gasket		SHEET:	REV.
	DWG#: R-SH-008020-6-F-06		1/2	B
	UNIT: mm	SCALE: A4 5:4	FINISH:	CHECKED: <i>Gary Kang</i>
	 THIRD ANGLE PROJECTION TOLERANCE: Angle: ± 1° X: ± 0.25 .X: ± 0.20 .XX: ± 0.15		MATERIAL: RoHS Compliant	APPROVED: <i>George Yang</i>
DRAWN: Laura			DATE: 01/27/2016	



<p>ALL BEST ELECTRONICS CO., LTD.</p>	TITLE: SFP+ 1x1 Cage w/ Elastic Gasket		SHEET: 2/2	REV. B
	DWG#: R-SH-008020-6-F-06		CHECKED: Gary Kang	
	UNIT: mm	SCALE: A4 5:4	FINISH:	APPROVED: George Yang
	TOLERANCE: Angle: $\pm 1^\circ$ X: ± 0.15 .X: ± 0.10 .XX: ± 0.05		MATERIAL: RoHS Compliant	DATE: 01/27/2016
THIRD ANGLE PROJECTION		DRAWN: Laura		