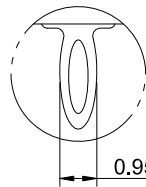
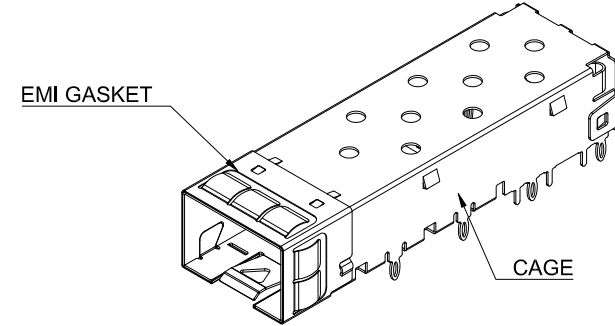
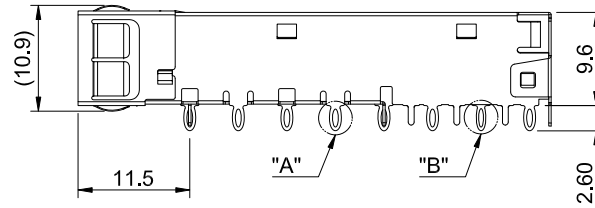


DETAIL A
SCALE 4:1



DETAIL B
SCALE 4:1



MATERIAL
CAGE: NICKEL SILVER
EMI GASKET: STAINLESS STEEL



TITLE: SFP+ 1x1 Cage w/ EMI Metal Gasket

DWG#: R-SH-008020-6-F-21

SHEET: 1/4	REV. C
---------------	-----------

UNIT: mm	SCALE: A4 5:4
-------------	------------------

FINISH:

CHECKED:
Gary Yang

THIRD ANGLE PROJECTION

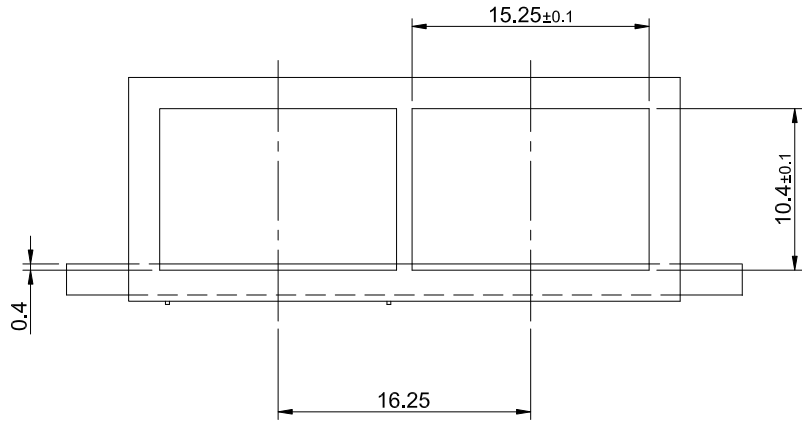
MATERIAL:
RoHS Compliant

APPROVED:
George Yang

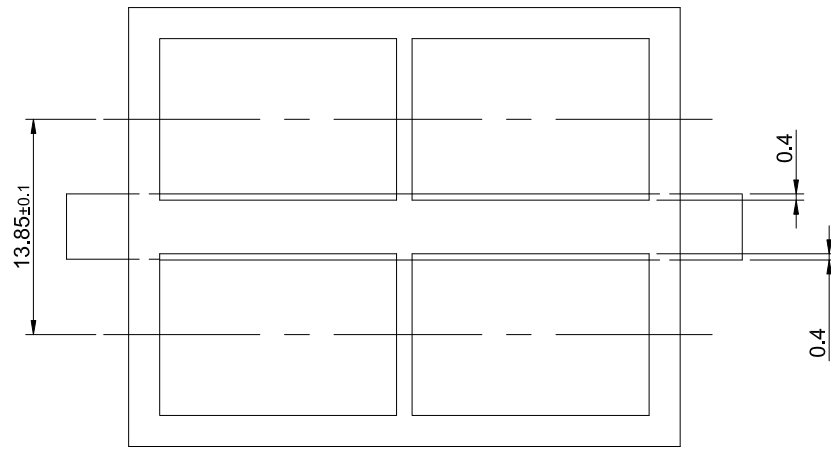
TOLERANCE: Angle: ± 1°
X: ± 0.25 .X: ± 0.20 .XX: ± 0.15

DRAWN:
Ting

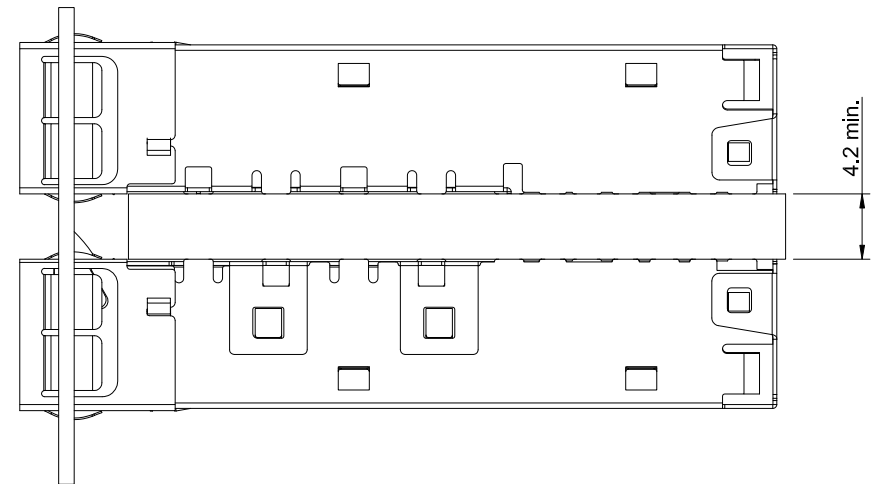
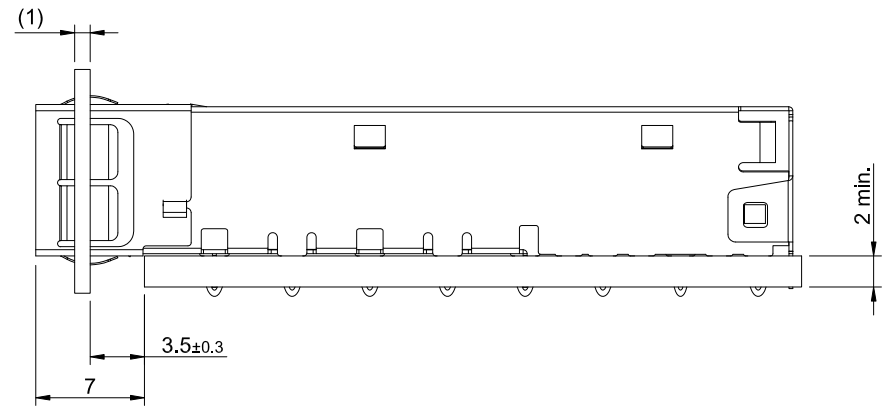
DATE:
04/26/2017


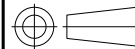


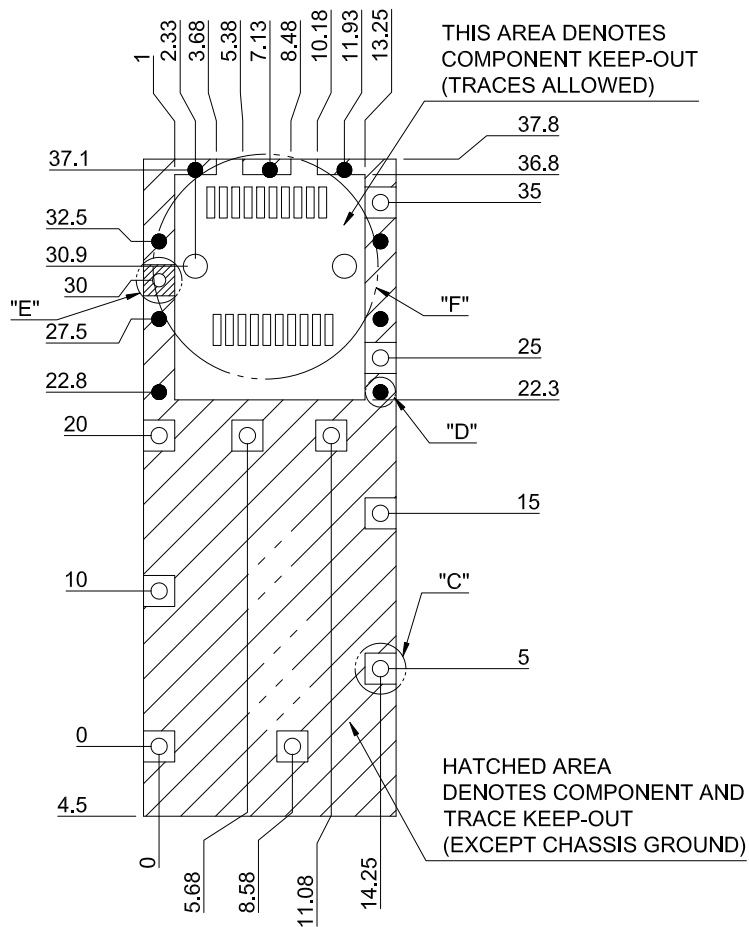
RECOMMENDED BEZEL CUT-OUT
SINGLE SIDED APPLICATIONS



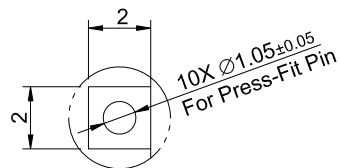
RECOMMENDED BEZEL CUT-OUT
BELLY TO BELLY APPLICATIONS



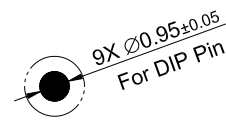
 <p>ALL BEST ELECTRONICS CO., LTD.</p>	TITLE: SFP+ 1x1 Cage w/ EMI Metal Gasket		SHEET: 2/4	REV. C
	DWG#: R-SH-008020-6-F-21		CHECKED: Gary Shang	
	UNIT: mm	SCALE: A4 2:1	FINISH:	APPROVED: George Yang
	TOLERANCE: Angle: ± 1° X ± 0.15 .X ± 0.10 .XX ± 0.05		MATERIAL: RoHS Compliant	DATE: 04/26/2017
 THIRD ANGLE PROJECTION		DRAWN: Ting		



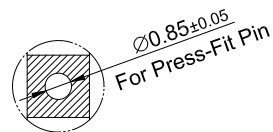
RECOMMENDED PCB LAYOUT
TOLERANCE: ±0.05



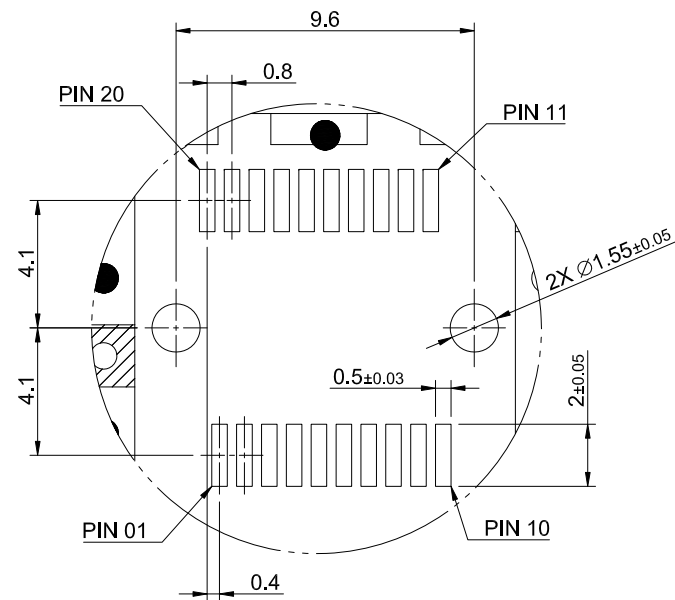
DETAIL C
SCALE 2:1




DETAIL D
SCALE 2:1

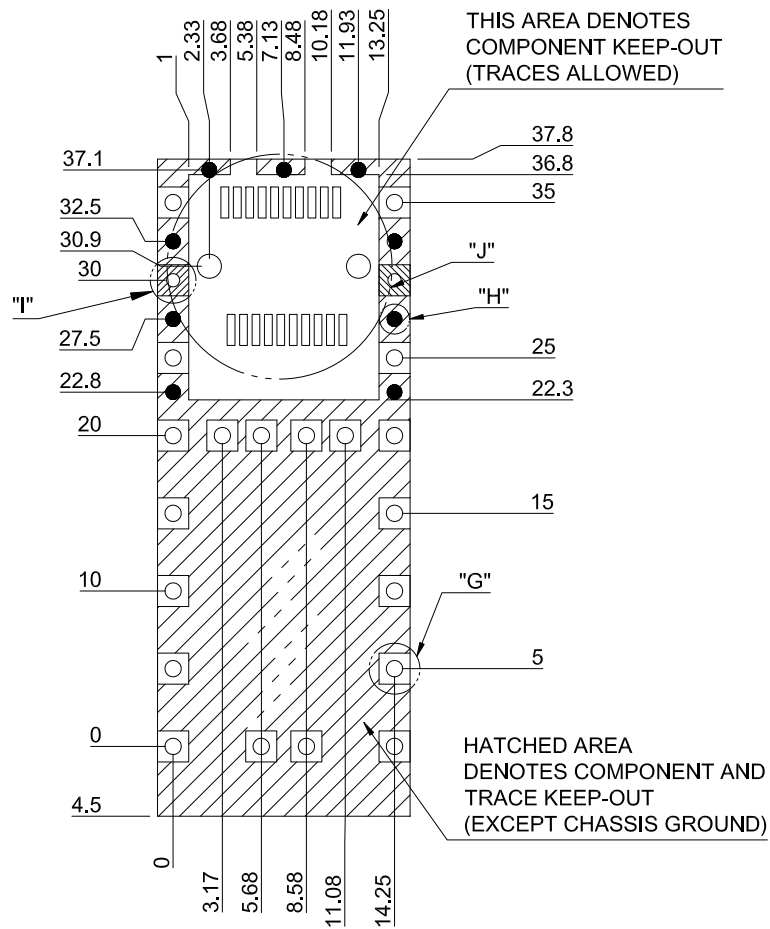


DETAIL E
SCALE 2:1

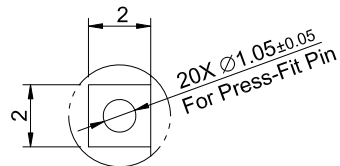


DETAIL F
SCALE 2:1

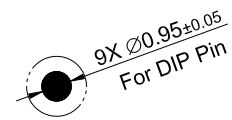
 ALL BEST ALL BEST ELECTRONICS CO., LTD.	TITLE: SFP+ 1x1 Cage w/ EMI Metal Gasket		SHEET:	REV.
	DWG#: R-SH-008020-6-F-21		3/4	C
	UNIT: mm	SCALE: A4 2:1	FINISH:	CHECKED: <i>Gary Kang</i>
	TOLERANCE: Angle: ± 1° X.± 0.15 .X± 0.10 .XX± 0.05		MATERIAL: RoHS Compliant	APPROVED: <i>George Yang</i>
THIRD ANGLE PROJECTION			DRAWN: Ting	DATE: 04/26/2017



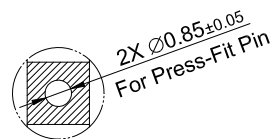
RECOMMENDED PCB LAYOUT
FOR BELLY TO BELLY MOUNTING
TOLERANCE: ± 0.05



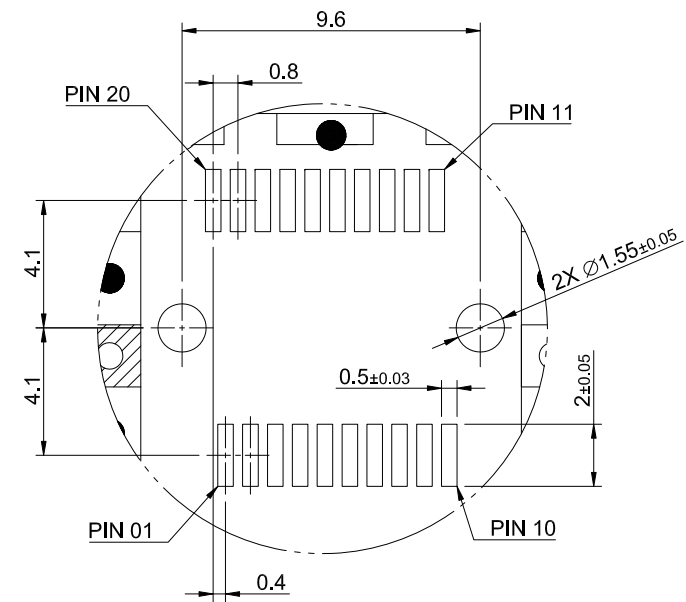
DETAIL G
SCALE 2:1



DETAIL H
SCALE 2:1



DETAIL I
SCALE 2:1



DETAIL J
SCALE 2:1



TITLE: SFP+ 1x1 Cage w/ EMI Metal Gasket			
DWG#: R-SH-008020-6-F-21		SHEET: 4/4	REV. C
UNIT: mm	SCALE: A4 2:1	FINISH:	CHECKED: Gary Yang
THIRD ANGLE PROJECTION		MATERIAL: RoHS Compliant	APPROVED: George Yang
TOLERANCE: Angle: $\pm 1^\circ$ X. ± 0.15 .X ± 0.10 .XX ± 0.05		DRAWN: Ting	DATE: 04/26/2017