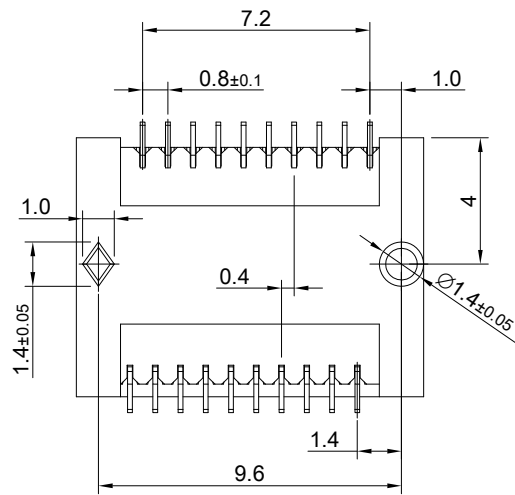


MATERIAL
 CONTACTS: COPPER ALLOY
 INSULATOR: LCP THERMOPLASTIC 94V-0
 INSULATOR COLOR: DEEP GRAY

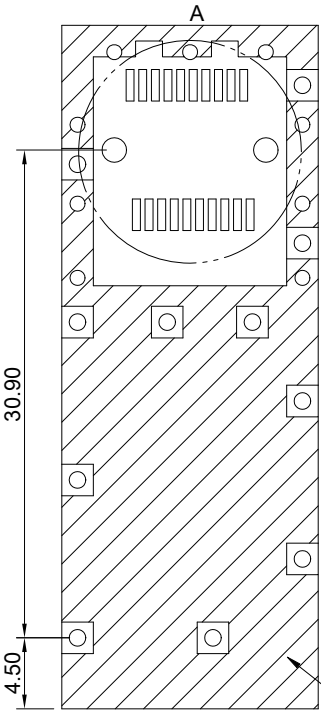
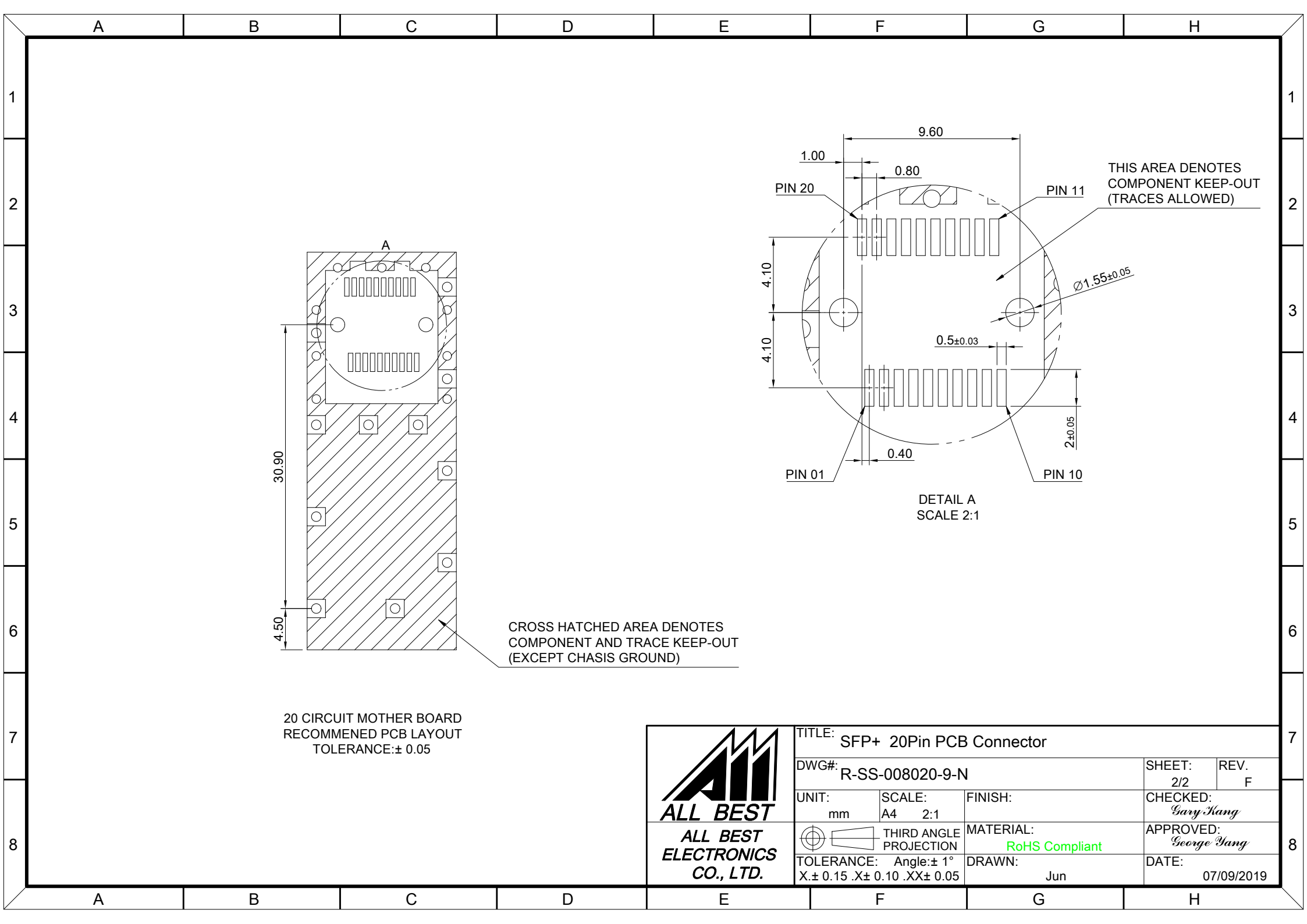
FINISH
 CONTACTS: 15 μ" MIN. GOLD ON MATING END;
 TIN ON TERMINATION END;
 ALL UNDERPLATED NICKEL

ELECTRICAL CHARACTERISTICS
 CONTACT CURRENT RATING: 0.5 AMPERE
 VOLTAGE RATING: 30 VAC
 CONTACT RESISTANCE: 35 mΩ MAX.
 DIELECTRIC WITHSTANDING VOLTAGE: 300 VAC

ENVIRONMENT
 OPERATION TEMPERATURE: -55°C TO +85°C
 SMT TEMPERATURE: 260°C

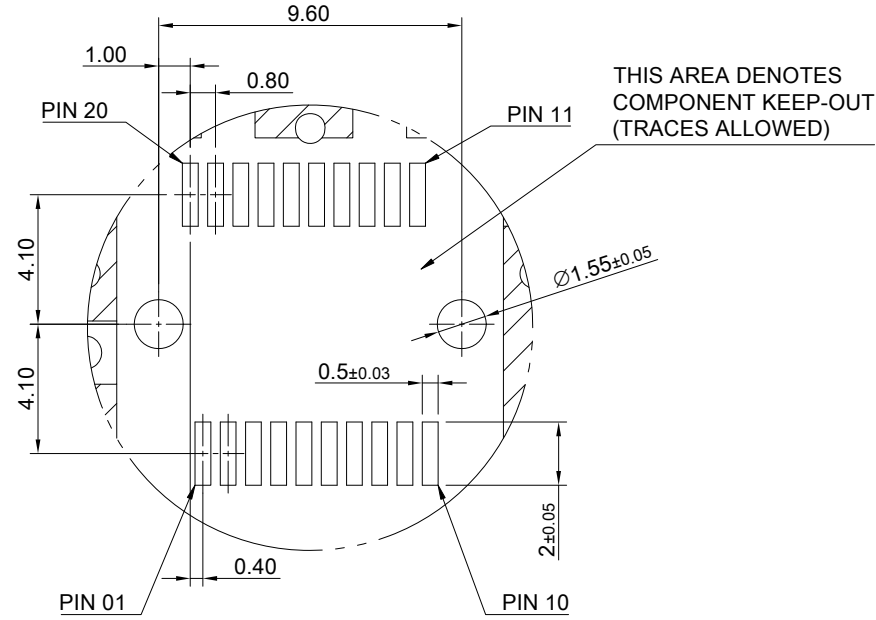


 ALL BEST ELECTRONICS CO., LTD.	TITLE: SFP+ 20Pin PCB Connector		SHEET: 1/2	REV. F
	DWG#: R-SS-008020-9-N		CHECKED: Gary Kang	
	UNIT: mm	SCALE: A4 4:1	FINISH:	APPROVED: George Yang
	TOLERANCE: Angle: ± 1° X ± 0.25 .X ± 0.20 .XX ± 0.15		MATERIAL: RoHS Compliant	DATE: 07/09/2019
THIRD ANGLE PROJECTION		DRAWN: Jun		





20 CIRCUIT MOTHER BOARD
RECOMMENED PCB LAYOUT
TOLERANCE:± 0.05

CROSS HATCHED AREA DENOTES
COMPONENT AND TRACE KEEP-OUT
(EXCEPT CHASIS GROUND)



DETAIL A
SCALE 2:1

 ALL BEST ELECTRONICS CO., LTD.	TITLE: SFP+ 20Pin PCB Connector		SHEET: 2/2	REV. F
	DWG#: R-SS-008020-9-N		CHECKED: Gary Kang	
	UNIT: mm	SCALE: A4 2:1	FINISH:	APPROVED: George Yang
	 THIRD ANGLE PROJECTION TOLERANCE: Angle:± 1° X.± 0.15 .X± 0.10 .XX± 0.05		MATERIAL: RoHS Compliant	DATE: 07/09/2019
		DRAWN: Jun		