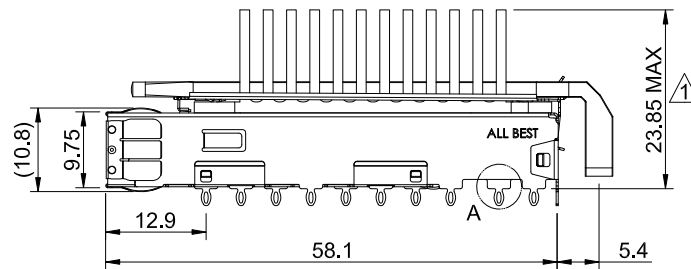
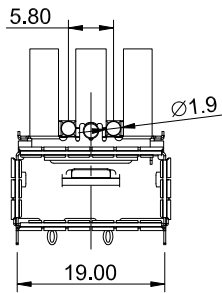
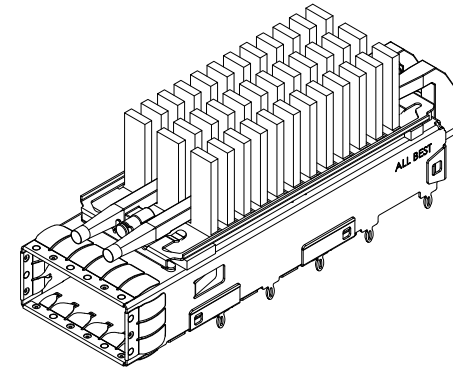


DETAIL A  
SCALE 5:1

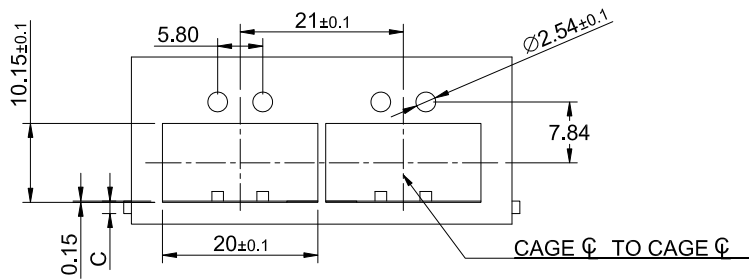


MATERIAL  
 CAGE: NICKEL SILVER  
 HEAT SINK: ALUMINUM  
 HEAT SINK CLIP: STAINLESS STEEL  
 EMI SPRING: STAINLESS STEEL  
 LIGHT PIPE: PC

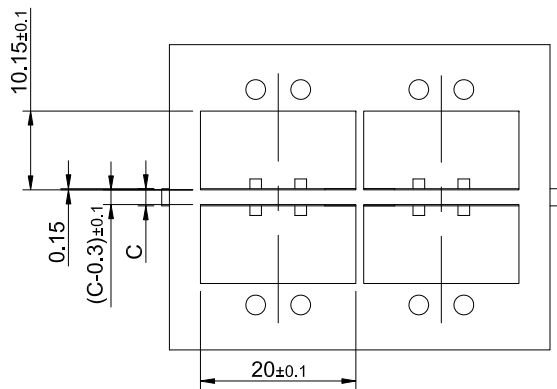
FINISH  
 HEAT SINK: ANODE PROCESS

NOTE  
 ▲ DIMENSION APPLIES WITH MODULE INSERTED IN CAGE

 <b>ALL BEST</b> ALL BEST ELECTRONICS CO., LTD.	TITLE: QSFP+ 1X1 Cage Assembly w/ Light Pipe & Heat Sink			
	DWG#: R-OR-Q1-4CME3		SHEET: 1/4	REV. C
	UNIT: mm	SCALE: A4 1:1	FINISH:	CHECKED: Gary Kang
	TOLERANCE: X± 0.25 .X± 0.20 .XX± 0.15		MATERIAL: RoHS Compliant	APPROVED: George Yang
THIRD ANGLE PROJECTION Angle: ± 1°		DRAWN: Boris	DATE: 06/28/2016	

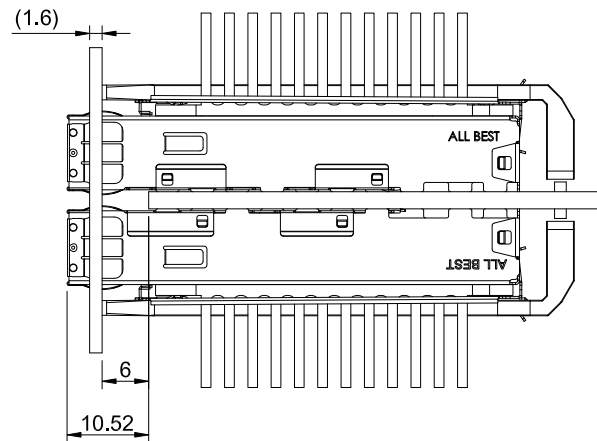
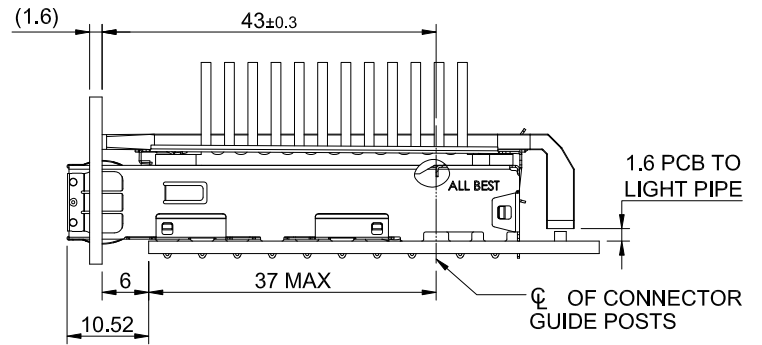



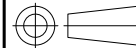
ONE SIDED CONFIGURATION



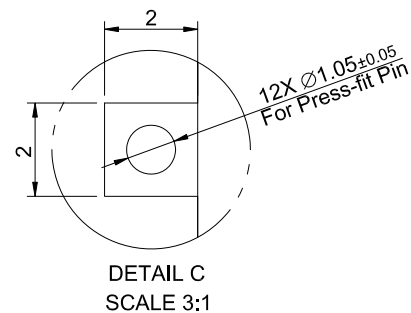
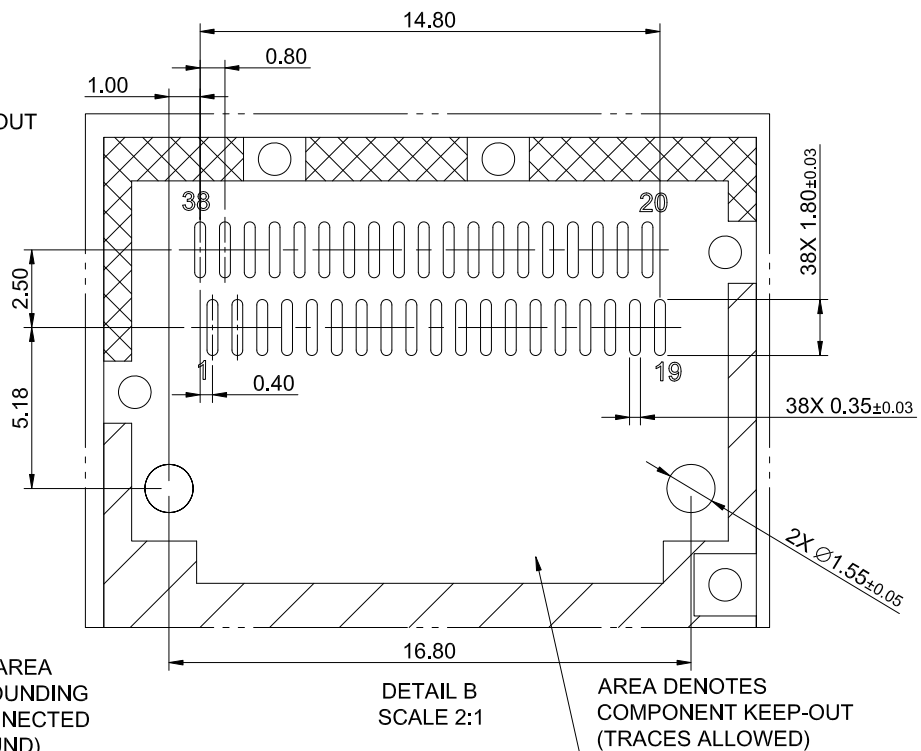
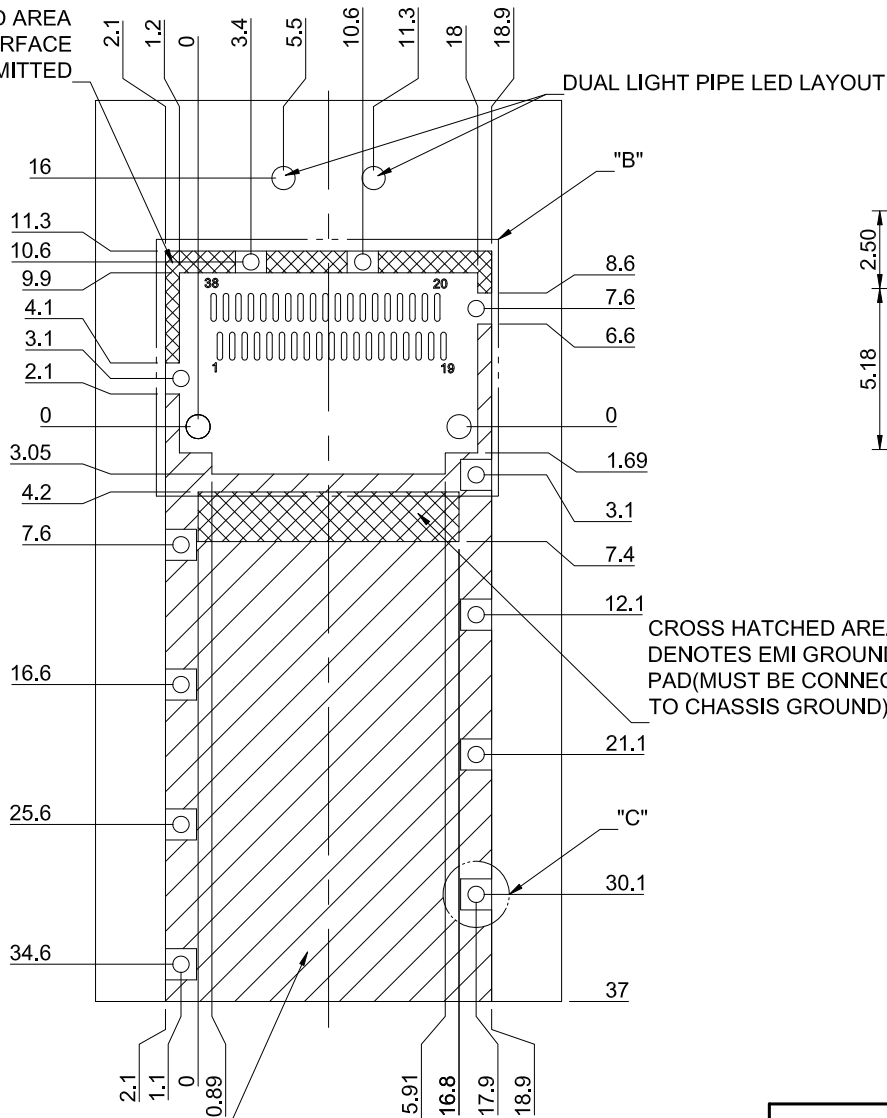
BELLY TO BELLY CONFIGURATION

C=THICKNESS OF PC BOARD  
 SINGLE SIDED=1.6MM(MIN)  
 DOUBLE SIDE=2.2MM(MIN)



 <b>ALL BEST</b> ALL BEST ELECTRONICS CO., LTD.	<b>TITLE:</b> QSFP+ 1X1 Cage Assembly w/ Light Pipe & Heat Sink			<b>SHEET:</b> 2/4		<b>REV.</b> C
	<b>DWG#:</b> R-OR-Q1-4CME3			<b>CHECKED:</b> Gary Kang		
	<b>UNIT:</b> mm	<b>SCALE:</b> A4 1:1	<b>FINISH:</b>	<b>APPROVED:</b> George Yang		
	<b>TOLERANCE:</b> X.± 0.15 .X± 0.10 .XX± 0.05		<b>MATERIAL:</b> RoHS Compliant	<b>DATE:</b> 06/28/2016		
 <b>THIRD ANGLE PROJECTION</b>		<b>DRAWN:</b> Boris				

CROSS HATCHED AREA DENOTES WHERE SURFACE TRACES ARE PERMITTED



TITLE: QSFP+ 1X1 Cage Assembly w/ Light Pipe & Heat Sink

DWG#: R-OR-Q1-4CME3

UNIT:  
mm

SCALE:  
A4 2:1

FINISH:

MATERIAL:  
RoHS Compliant

DRAWN:

Boris

SHEET: 3/4  
REV. C

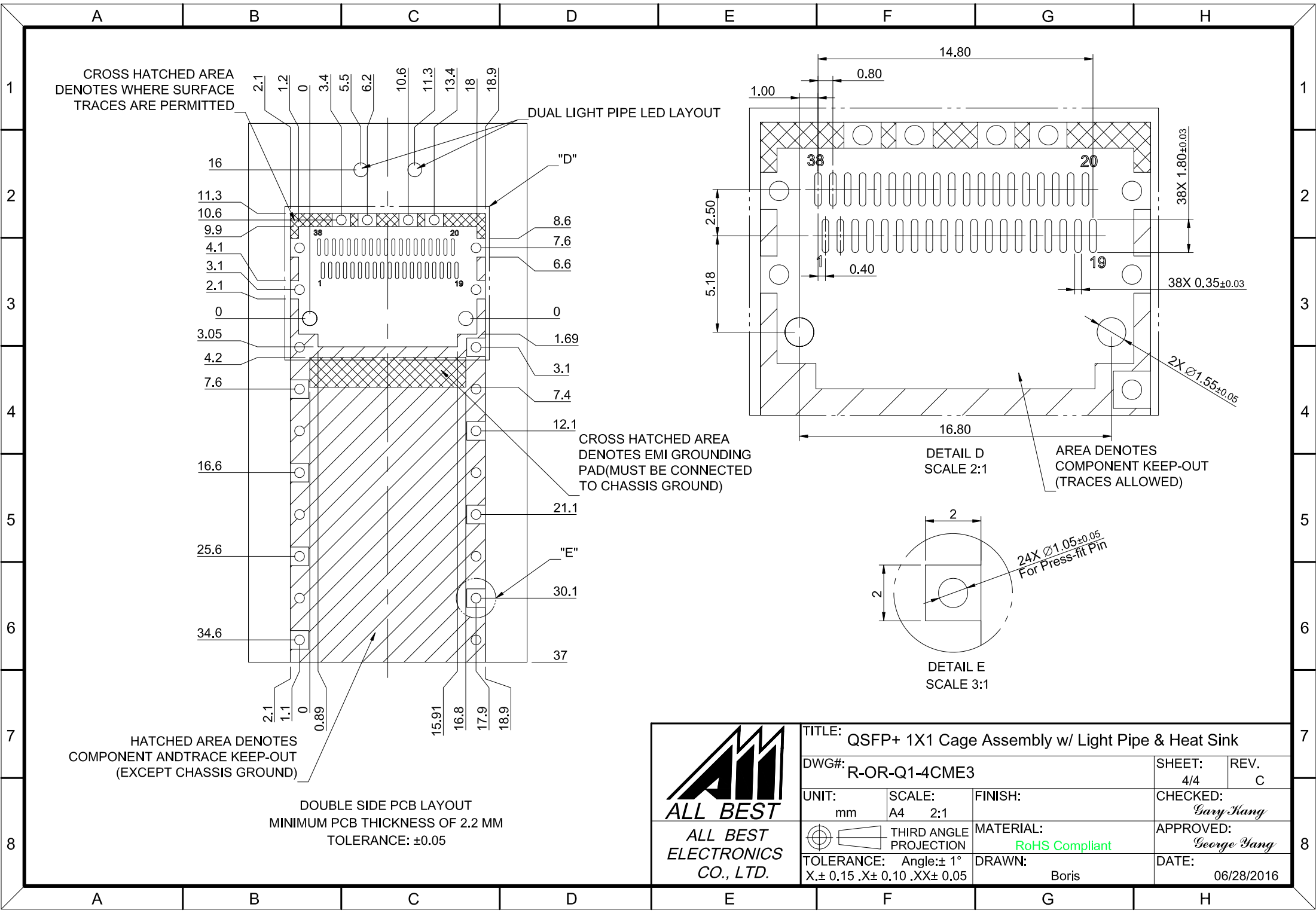
CHECKED:  
*Gary Yang*

APPROVED:  
*George Yang*

DATE: 06/28/2016

TOLERANCE: Angle:  $\pm 1^\circ$   
X:  $\pm 0.15$  .X:  $\pm 0.10$  .XX:  $\pm 0.05$

THIRD ANGLE PROJECTION



CROSS HATCHED AREA DENOTES WHERE SURFACE TRACES ARE PERMITTED

DUAL LIGHT PIPE LED LAYOUT

CROSS HATCHED AREA DENOTES EMI GROUNDING PAD (MUST BE CONNECTED TO CHASSIS GROUND)


DETAIL D SCALE 2:1

AREA DENOTES COMPONENT KEEP-OUT (TRACES ALLOWED)

DETAIL E SCALE 3:1

HATCHED AREA DENOTES COMPONENT AND TRACE KEEP-OUT (EXCEPT CHASSIS GROUND)

DOUBLE SIDE PCB LAYOUT  
MINIMUM PCB THICKNESS OF 2.2 MM  
TOLERANCE: ±0.05

 <b>ALL BEST ELECTRONICS CO., LTD.</b>	TITLE: QSFP+ 1X1 Cage Assembly w/ Light Pipe & Heat Sink			SHEET: 4/4	REV. C
	DWG#: R-OR-Q1-4CME3		CHECKED: Gary Kang		
	UNIT: mm	SCALE: A4 2:1	FINISH:	APPROVED: George Yang	
	TOLERANCE: X±0.15 .X±0.10 .XX±0.05		THIRD ANGLE PROJECTION	MATERIAL: RoHS Compliant	DATE: 06/28/2016
			DRAWN: Boris		