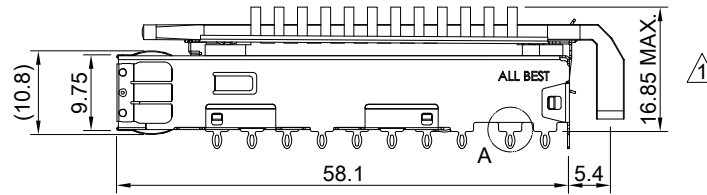
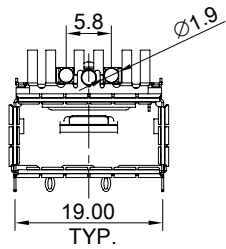
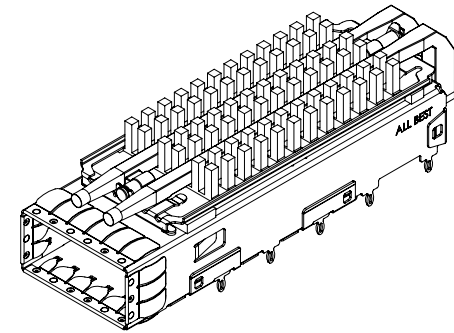


DETAIL A  
SCALE 5 : 1

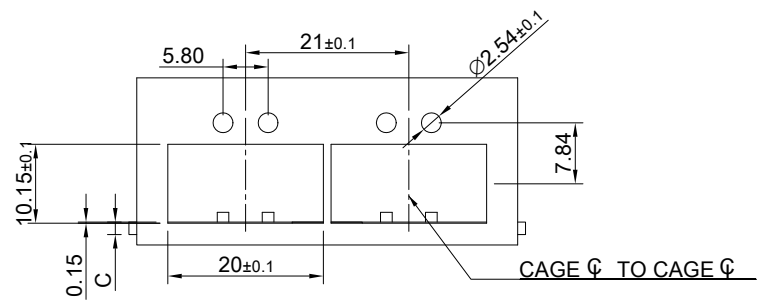


MATERIAL  
 CAGE: NICKEL SILVER  
 HEAT SINK: ALUMINUM  
 HEAT SINK CLIP: STAINLESS STEEL  
 EMI SPRING: STAINLESS STEEL  
 LIGHT PIPE: PC

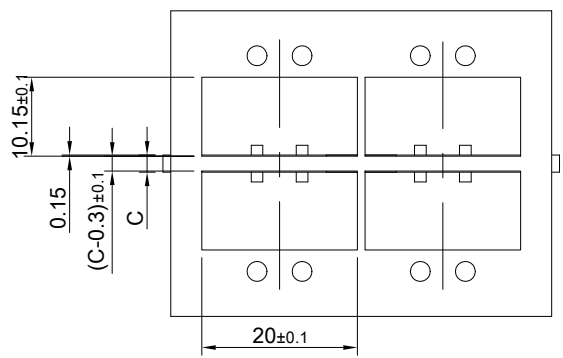
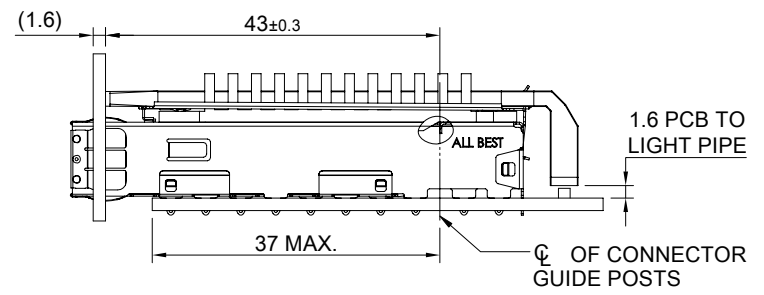
FINISH  
 HEAT SINK: ANODE PROCESS

NOTE  
 ▲ DIMENSION APPLIES WITH MODULE INSERTED IN CAGE

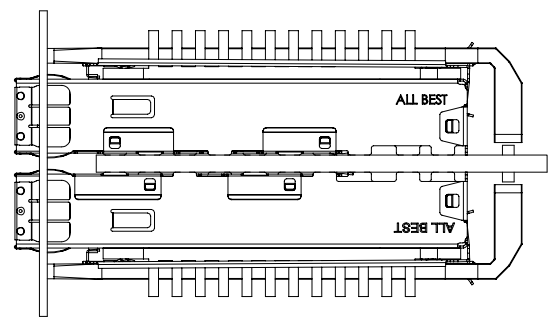
	TITLE: QSFP+ 1X1 Cage Assembly w/ Light Pipe & Heat Sink		
	DWG#: R-OR-Q1-4CME4		SHEET: 1/4
	UNIT: mm	SCALE: A4 1:1	REV. E
	THIRD ANGLE PROJECTION TOLERANCE: Angle: ± 1° X: ± 0.25 .X: ± 0.20 .XX: ± 0.15		CHECKED: Gary Kang
		MATERIAL: RoHS Compliant	APPROVED: George Yang
		DRAWN: Howard	DATE: 05/27/2021




ONE SIDED CONFIGURATION



BELLY TO BELLY CONFIGURATION

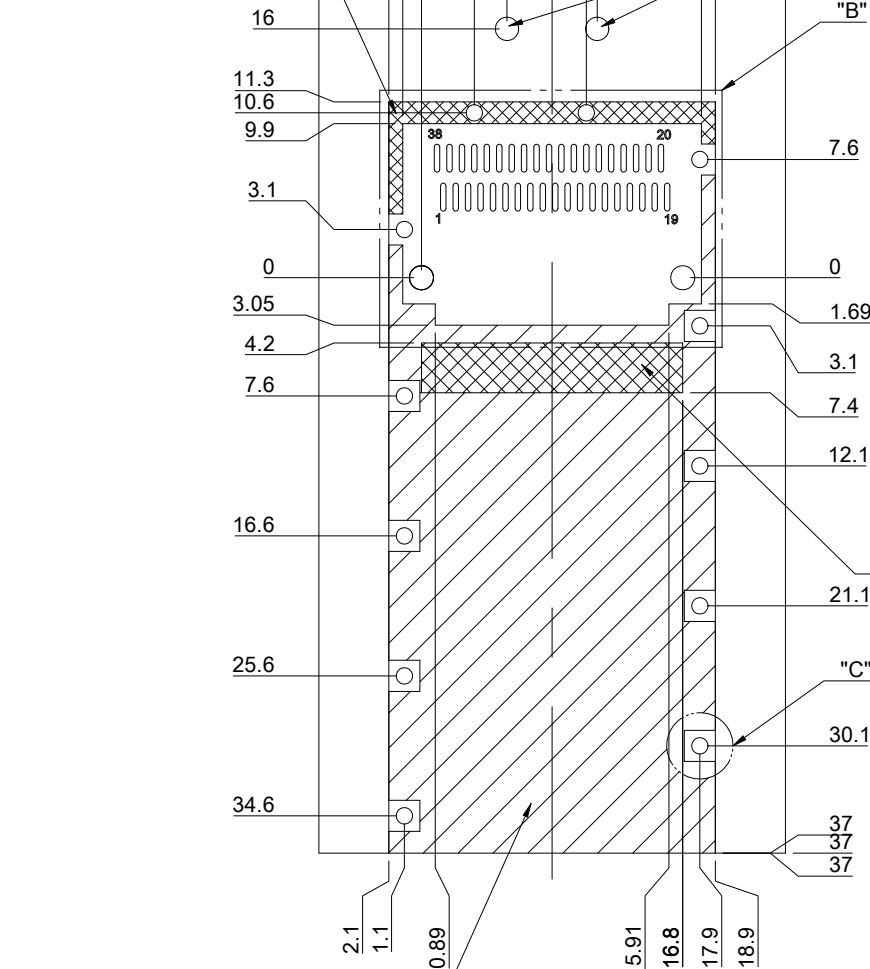


C=THICKNESS OF PC BOARD  
 SINGLE SIDED=1.6MM(MIN)  
 DOUBLE SIDE=2.2MM(MIN)

	TITLE: QSFP+ 1X1 Cage Assembly w/ Light Pipe & Heat Sink			SHEET: 2/4		REV. E	
	DWG#: R-OR-Q1-4CME4			CHECKED: Gary Kang		APPROVED: George Yang	
	UNIT: mm	SCALE: A4 1:1	FINISH:	MATERIAL: RoHS Compliant		DATE: 05/27/2021	
	TOLERANCE: X± 0.15 .X± 0.10 .XX± 0.05		THIRD ANGLE PROJECTION	DRAWN: Howard			

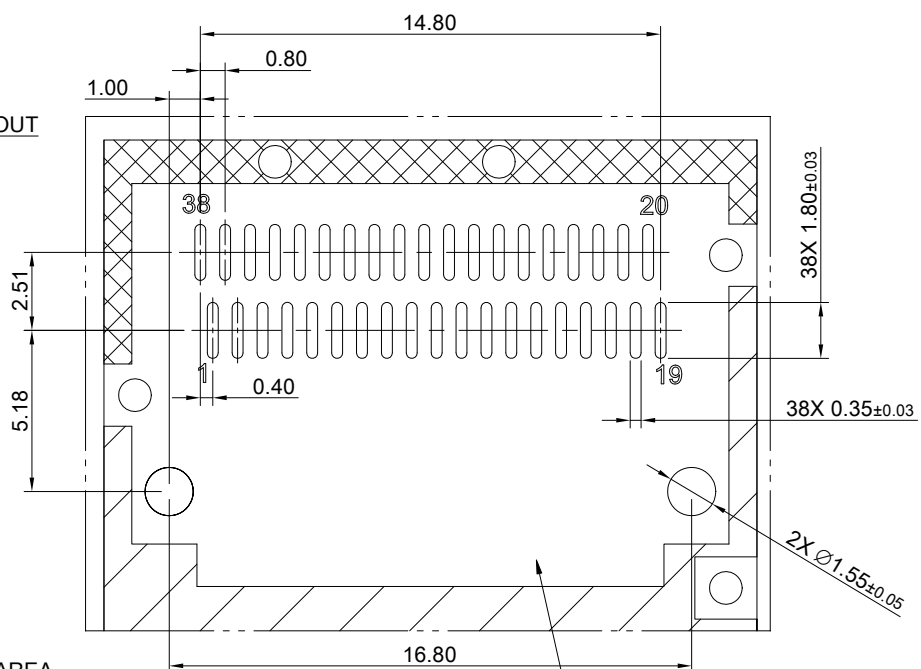
CROSS HATCHED AREA DENOTES WHERE SURFACE TRACES ARE PERMITTED

DUAL LIGHT PIPE LED LAYOUT



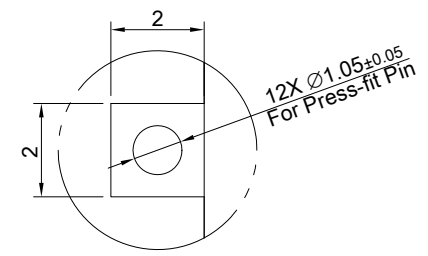
HATCHED AREA DENOTES COMPONENT AND TRACE KEEP-OUT (EXCEPT CHASSIS GROUND)

SINGLE SIDE PCB LAYOUT  
MINIMUM PCB THICKNESS OF 1.6 MM  
TOLERANCE: ±0.05



DETAIL B  
SCALE 2:1

AREA DENOTES COMPONENT KEEP-OUT (TRACES ALLOWED)



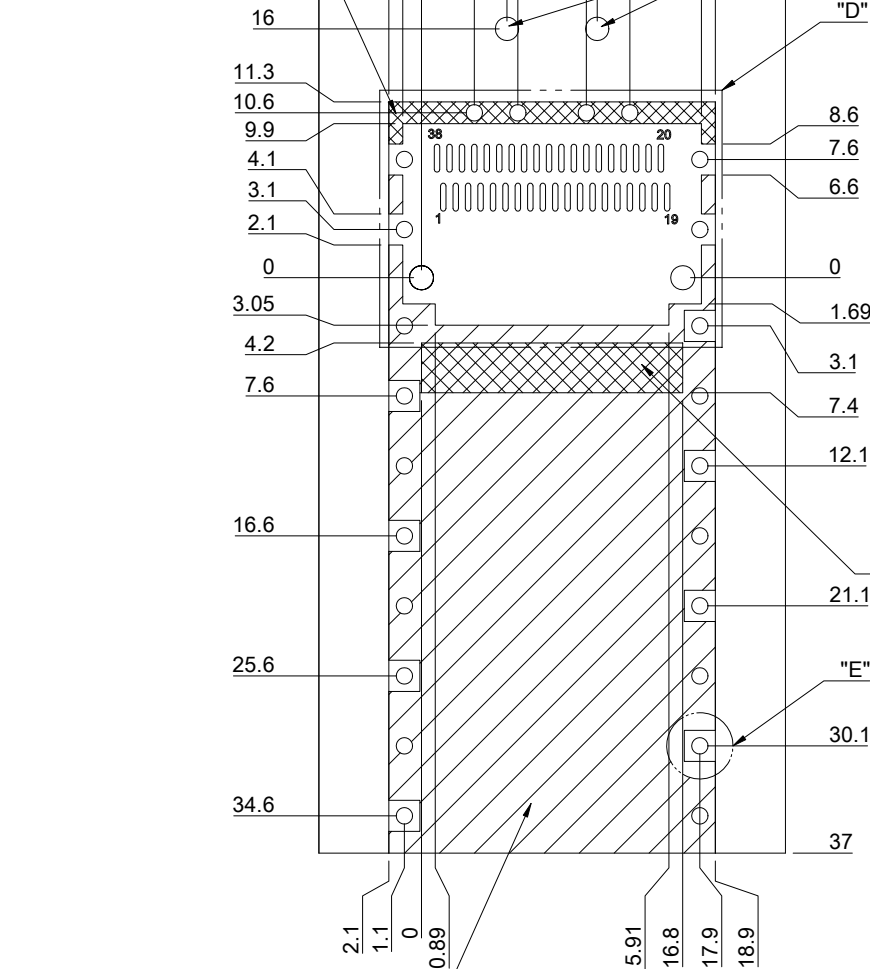
DETAIL C  
SCALE 3:1

CROSS HATCHED AREA DENOTES EMI GROUNDING PAD (MUST BE CONNECTED TO CHASSIS GROUND)

<p><b>ALL BEST ELECTRONICS CO., LTD.</b></p>	TITLE: QSFP+ 1X1 Cage Assembly w/ Light Pipe & Heat Sink			SHEET: 3/4		REV. E	
	DWG#: R-OR-Q1-4CME4			CHECKED: Gary Kang		APPROVED: George Yang	
	UNIT: mm	SCALE: A4 2:1	FINISH: M/T	MATERIAL: RoHS Compliant		DATE: 05/27/2021	
	TOLERANCE: X±0.15 .X±0.10 .XX±0.05		THIRD ANGLE PROJECTION	DRAWN: Howard			

CROSS HATCHED AREA DENOTES WHERE SURFACE TRACES ARE PERMITTED

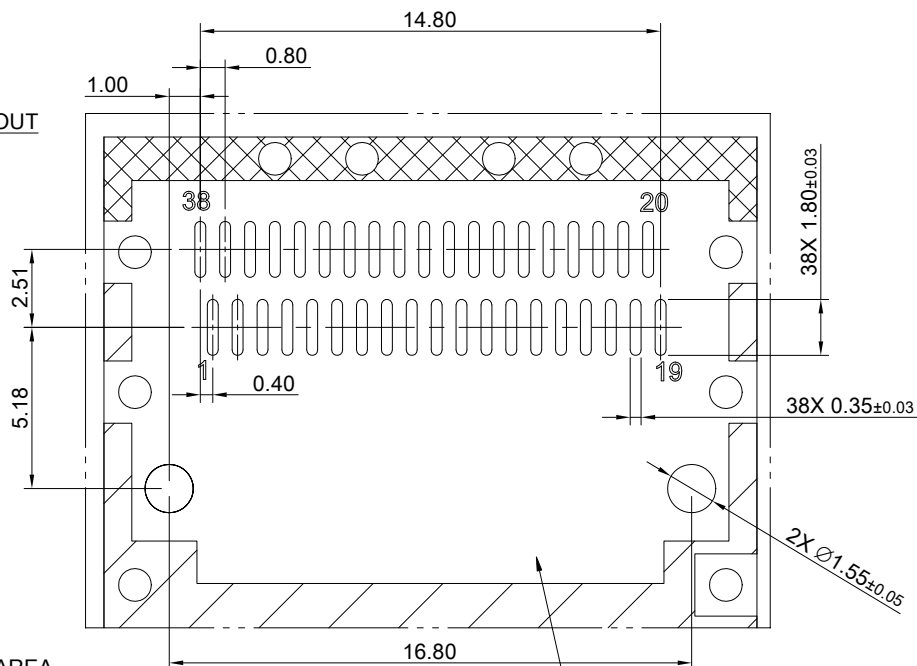
DUAL LIGHT PIPE LED LAYOUT



CROSS HATCHED AREA DENOTES EMI GROUNDING PAD (MUST BE CONNECTED TO CHASSIS GROUND)

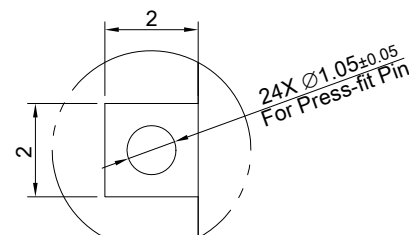
HATCHED AREA DENOTES COMPONENT AND TRACE KEEP-OUT (EXCEPT CHASSIS GROUND)

DOUBLE SIDE PCB LAYOUT  
MINIMUM PCB THICKNESS OF 2.2 MM  
TOLERANCE: ±0.05




DETAIL D  
SCALE 2:1

AREA DENOTES COMPONENT KEEP-OUT (TRACES ALLOWED)



DETAIL E  
SCALE 3:1

 <b>ALL BEST ELECTRONICS CO., LTD.</b>	TITLE: QSFP+ 1X1 Cage Assembly w/ Light Pipe & Heat Sink		SHEET: 4/4	REV. E	
	DWG#: R-OR-Q1-4CME4		CHECKED: Gary Kang		
	UNIT: mm	SCALE: A4 2:1	FINISH: M/T	APPROVED: George Yang	
	TOLERANCE: X ± 0.15 .X ± 0.10 .XX ± 0.05		MATERIAL: RoHS Compliant	DATE: 05/27/2021	
THIRD ANGLE PROJECTION		DRAWN: Howard			