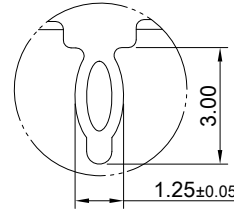
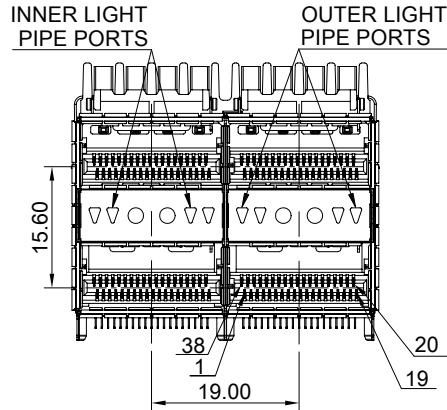
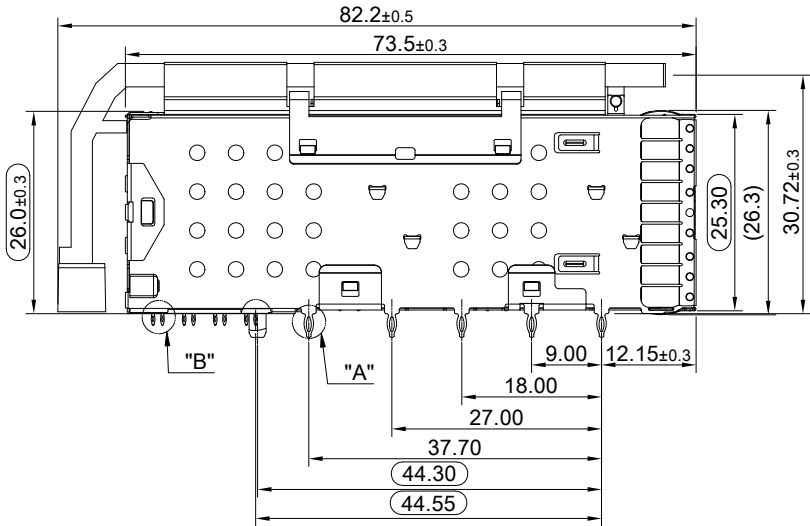
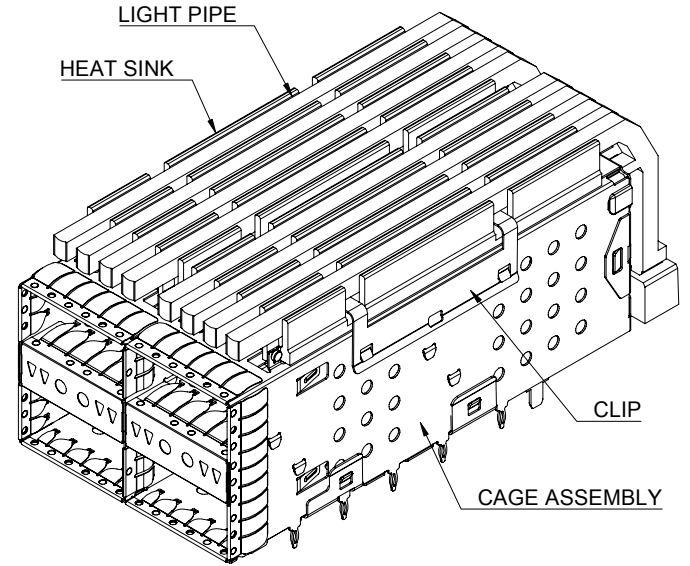


DETAIL B
SCALE 5:1



DETAIL A
SCALE 5:1



MATERIAL
 CAGE: NICKEL SILVER
 CONNECTOR HOUSING: THERMOPLASTIC, UL 94V-0
 EMI SPRING: STAINLESS STEEL
 CONTACTS: COPPER ALLOY
 HEAT SINK: ALUMINUM
 HEAT SINK CLIP: STAINLESS STEEL
 LIGHT PIPE: PC
 LIGHT SHIELD: THERMOPLASTIC

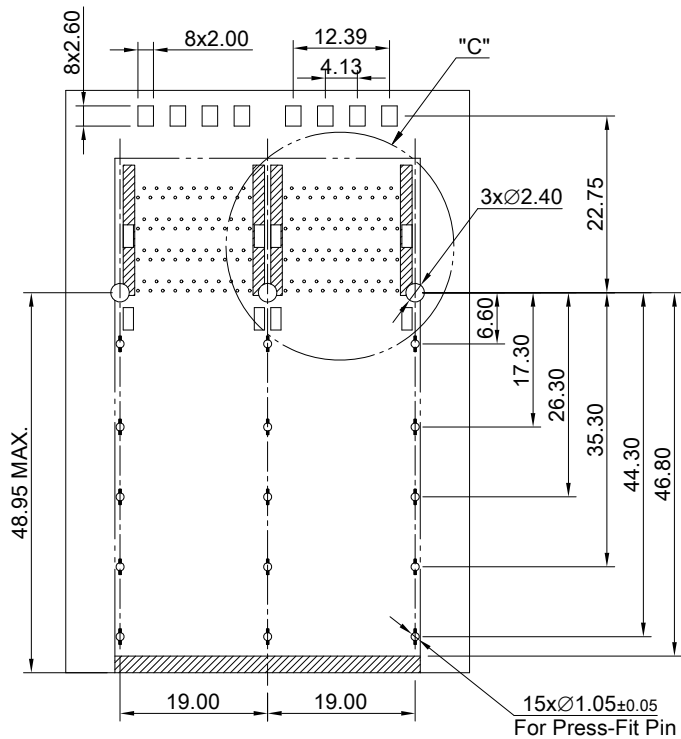
FINISH
 HEAT SINK: ANODE PROCESS
 CONTACT: 15µ" MIN. GOLD ON MATING END;
 30µ" MIN. MATTE TIN ON TERMINAL END;
 ALL UNDERPLATED 50µ" MIN. NICKEL

ELECTRICAL CHARACTERISTICS
 CONTACT CURRENT RATING: 0.5 AMPERE
 VOLTAGE RATING: 30VAC
 CONTACT RESISTANCE: 80 mΩ MAX.
 DIELECTRIC WITHSTANDING VOLTAGE: 300VAC

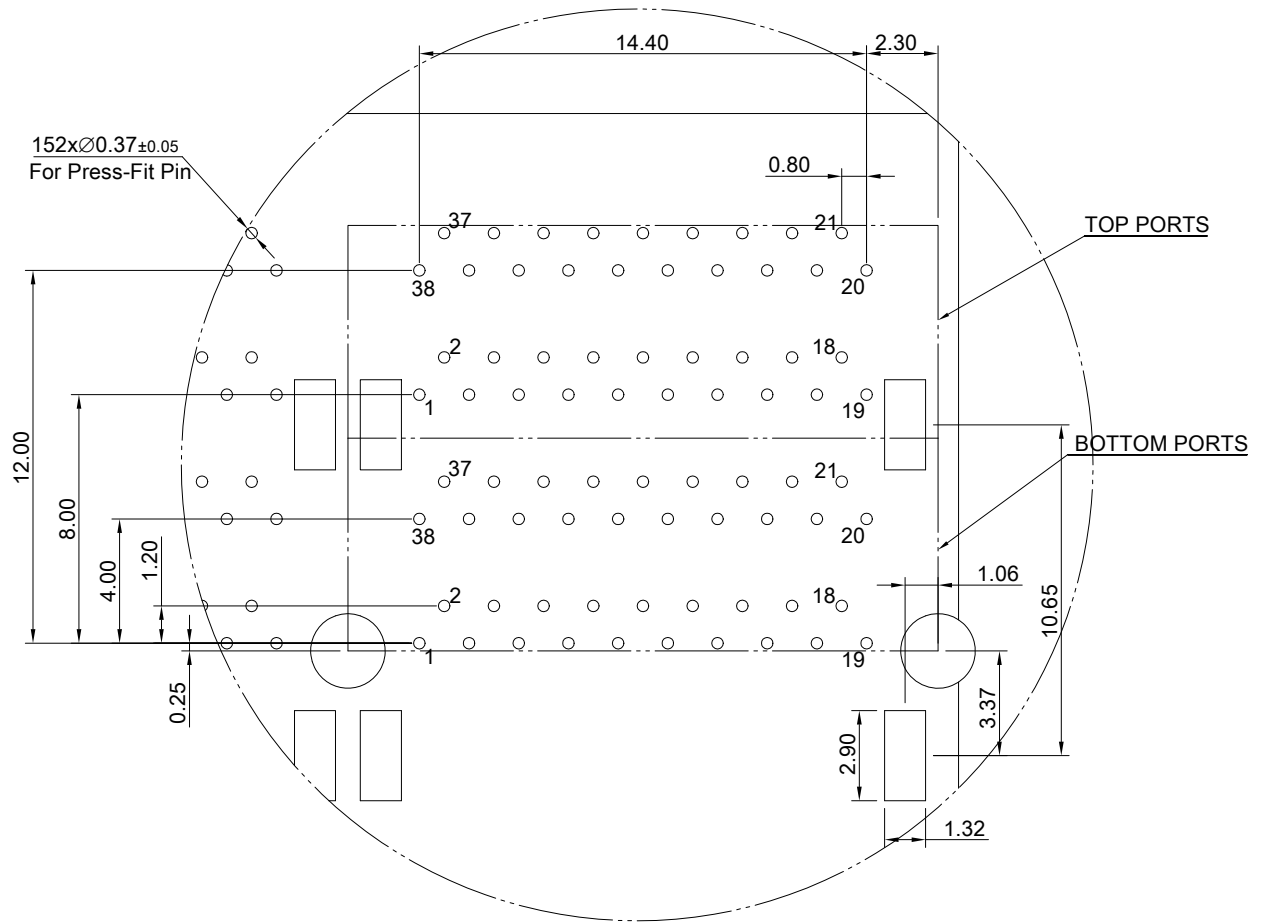
THIS PRINT IS
PRELIMINARY
 UNQUALIFIED PRODUCT
 CONTACT PRODUCT ENGINEERING
 BEFORE USING THIS PRINT



TITLE: Stacked QSFP+ Enhance 2x2 Assembly w/ Internal/ External Light Pipe & Heat Sink			
DWG#: R-TR-QEL2-4CMLJ-AIO-4		SHEET: 1/3	REV. REF.
UNIT: mm	SCALE: A4 1:1	FINISH:	CHECKED:
THIRD ANGLE PROJECTION		MATERIAL: RoHS Compliant	APPROVED:
TOLERANCE: Angle: ± 1° X.±0.25 .X±0.20 .XX±0.15		DRAWN: Allen	DATE: 03/13/2024



RECOMMENDED PCB LAYOUT
 TOLERANCE: ±0.05
 MINIMUM PCB THICKNESS OF 1.57MM

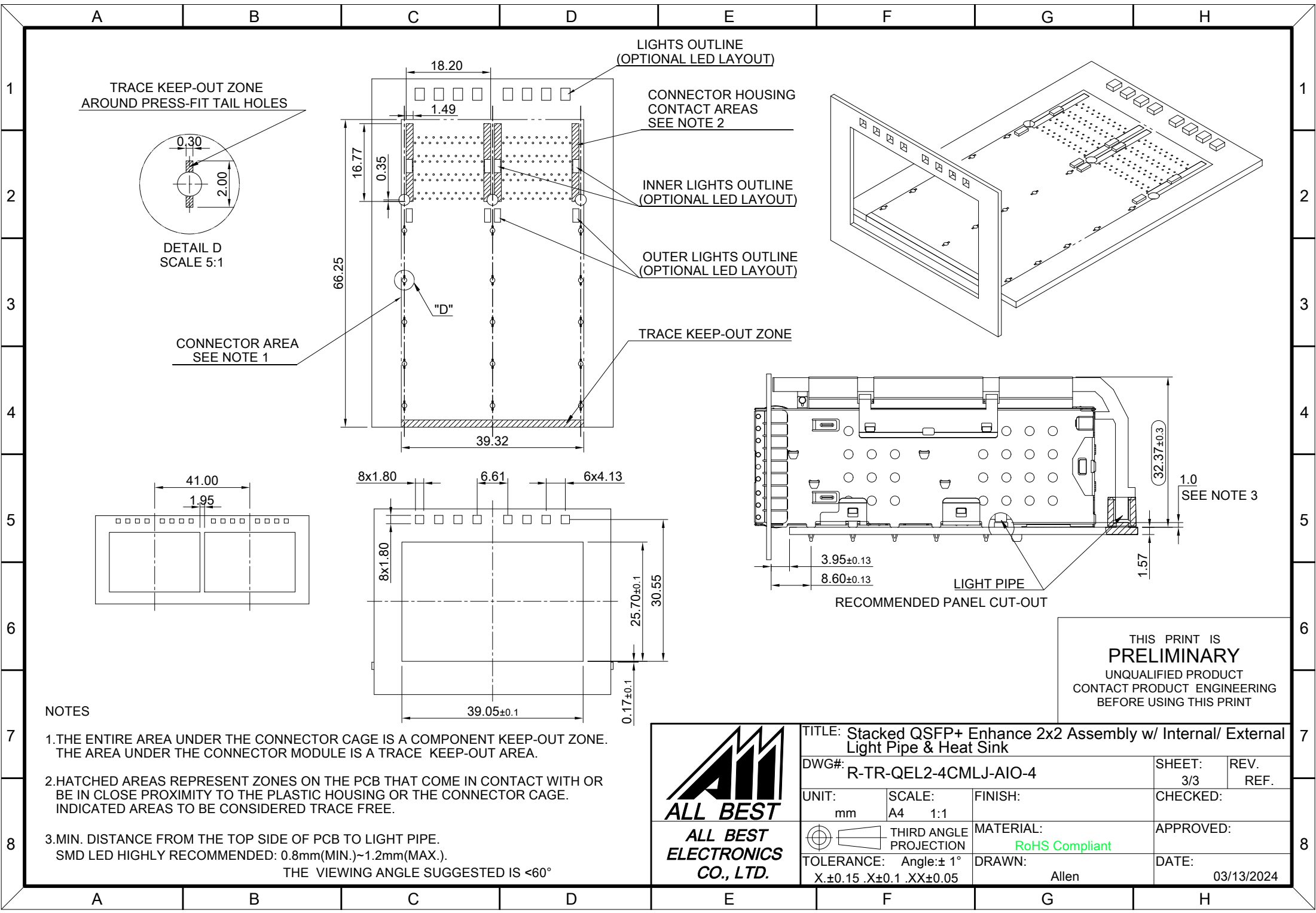


DETAIL C
 SCALE 4:1

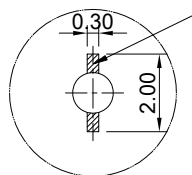
THIS PRINT IS
PRELIMINARY
 UNQUALIFIED PRODUCT
 CONTACT PRODUCT ENGINEERING
 BEFORE USING THIS PRINT



TITLE: Stacked QSFP+ Enhance 2x2 Assembly w/ Internal/ External Light Pipe & Heat Sink			
DWG#: R-TR-QEL2-4CMLJ-AIO-4		SHEET: 2/3	REV. REF.
UNIT: mm	SCALE: A4 1:1	FINISH:	CHECKED:
THIRD ANGLE PROJECTION		MATERIAL: RoHS Compliant	APPROVED:
TOLERANCE: Angle: ± 1° X: ±0.15 .X±0.1 .XX±0.05		DRAWN: Allen	DATE: 03/13/2024



TRACE KEEP-OUT ZONE
AROUND PRESS-FIT TAIL HOLES



DETAIL D
SCALE 5:1

CONNECTOR AREA
SEE NOTE 1

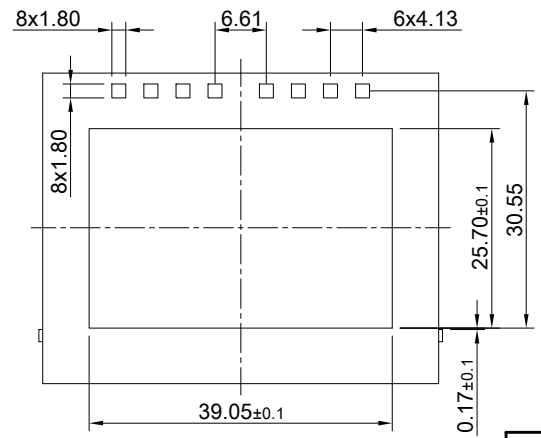
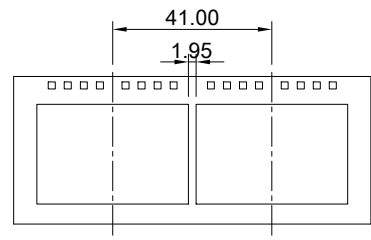
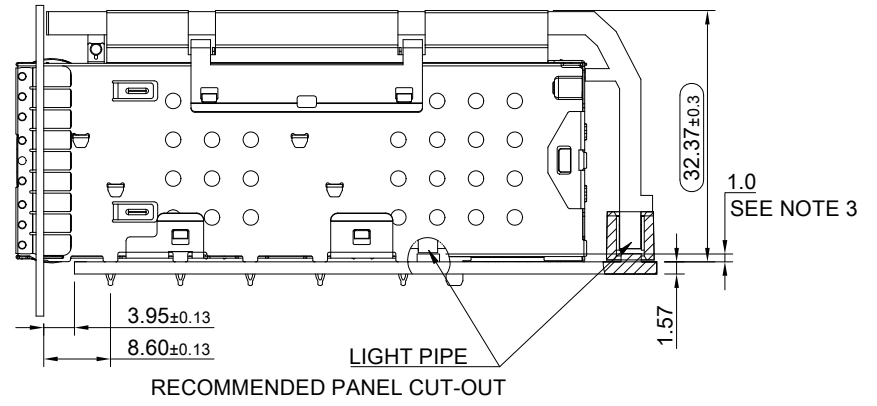
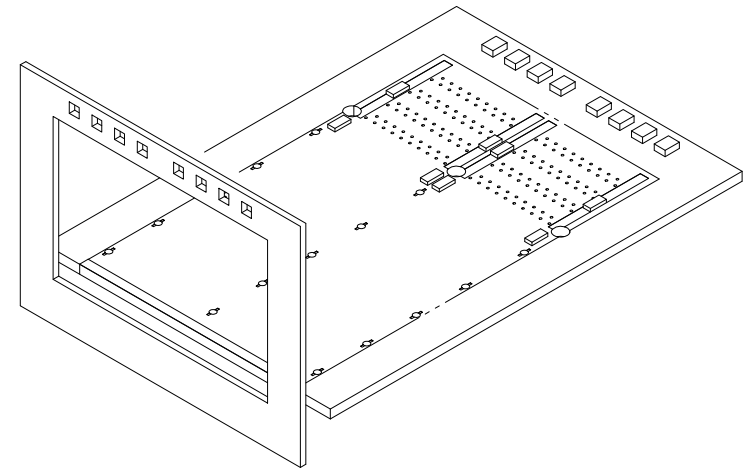
LIGHTS OUTLINE
(OPTIONAL LED LAYOUT)

CONNECTOR HOUSING
CONTACT AREAS
SEE NOTE 2

INNER LIGHTS OUTLINE
(OPTIONAL LED LAYOUT)

OUTER LIGHTS OUTLINE
(OPTIONAL LED LAYOUT)

TRACE KEEP-OUT ZONE



1.0
SEE NOTE 3

RECOMMENDED PANEL CUT-OUT

THIS PRINT IS
PRELIMINARY
UNQUALIFIED PRODUCT
CONTACT PRODUCT ENGINEERING
BEFORE USING THIS PRINT

NOTES

1. THE ENTIRE AREA UNDER THE CONNECTOR CAGE IS A COMPONENT KEEP-OUT ZONE. THE AREA UNDER THE CONNECTOR MODULE IS A TRACE KEEP-OUT AREA.
2. HATCHED AREAS REPRESENT ZONES ON THE PCB THAT COME IN CONTACT WITH OR BE IN CLOSE PROXIMITY TO THE PLASTIC HOUSING OR THE CONNECTOR CAGE. INDICATED AREAS TO BE CONSIDERED TRACE FREE.
3. MIN. DISTANCE FROM THE TOP SIDE OF PCB TO LIGHT PIPE.
SMD LED HIGHLY RECOMMENDED: 0.8mm(MIN.)~1.2mm(MAX.).
THE VIEWING ANGLE SUGGESTED IS <math><60^\circ</math>



TITLE: Stacked QSFP+ Enhance 2x2 Assembly w/ Internal/ External Light Pipe & Heat Sink			
DWG#: R-TR-QEL2-4CMLJ-AIO-4		SHEET: 3/3	REV. REF.
UNIT: mm	SCALE: A4 1:1	FINISH:	CHECKED:
THIRD ANGLE PROJECTION		MATERIAL: RoHS Compliant	APPROVED:
TOLERANCE: Angle: ±1° X.±0.15 .X±0.1 .XX±0.05		DRAWN: Allen	DATE: 03/13/2024