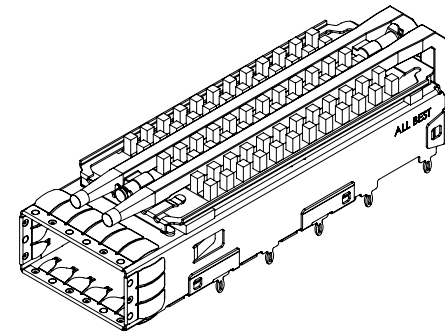
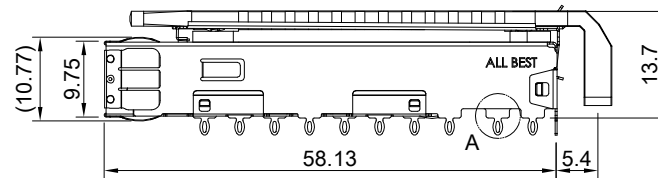
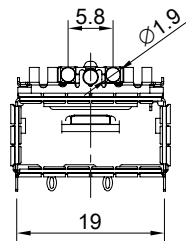



DETAIL A  
SCALE 5 : 1

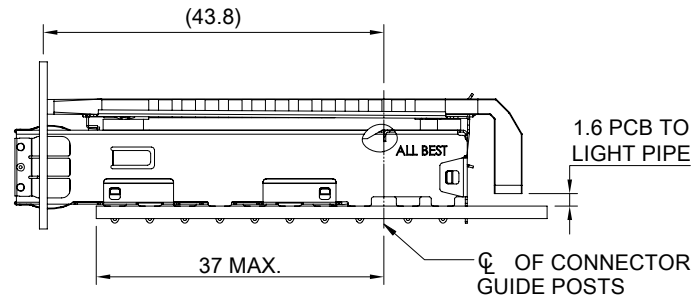
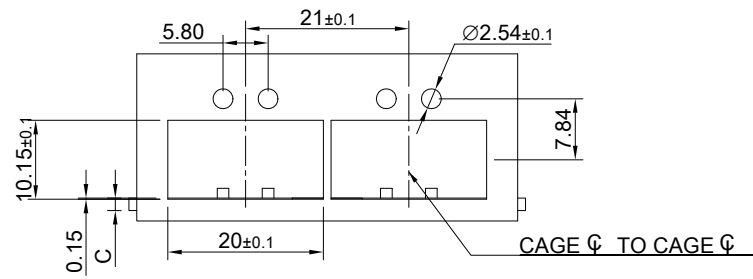


MATERIAL  
 CAGE: NICKEL SILVER  
 HEAT SINK: ALUMINUM  
 HEAT SINK CLIP: STAINLESS STEEL  
 EMI SPRING: STAINLESS STEEL  
 LIGHT PIPE: PC

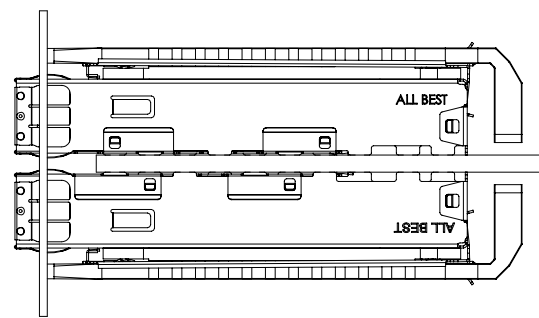
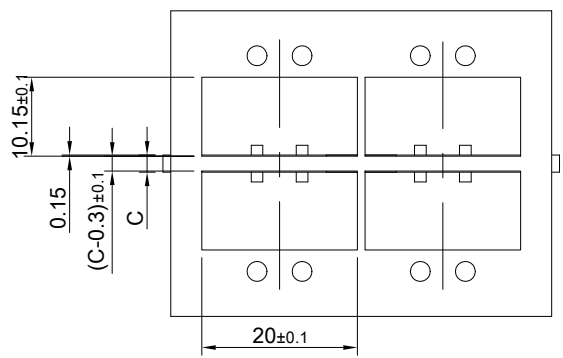
FINISH  
 HEAT SINK: ANODE PROCESS



	TITLE: QSFP+ 1X1 Cage Assembly w/ Light Pipe & Heat Sink			7	
	DWG#: R-OR-Q1-4CME5		SHEET: 1/4	REV. E	
	UNIT: mm	SCALE: A4 1:1	FINISH:	CHECKED: Gary Kang	
	TOLERANCE: Angle: ± 1° X.± 0.25 .X± 0.20 .XX± 0.15		MATERIAL: RoHS Compliant	APPROVED: George Yang	
		DRAWN: Howard	DATE: 05/28/2021		8




ONE SIDED CONFIGURATION



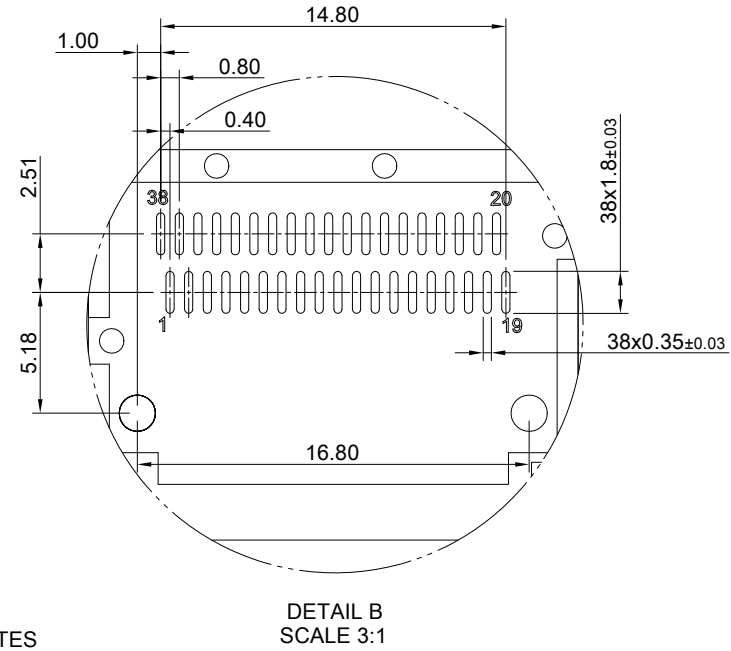
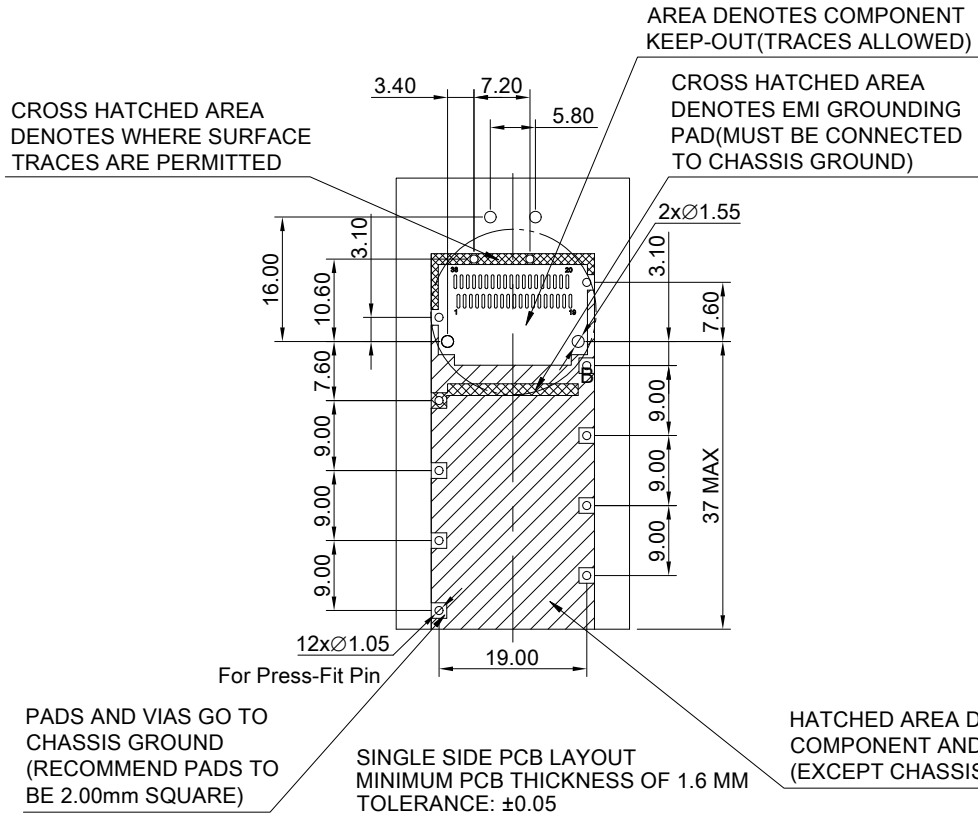
BELLY TO BELLY CONFIGURATION


C=THICKNESS OF PC BOARD  
 SINGLE SIDED=1.6MM(MIN)  
 DOUBLE SIDE=2.2MM(MIN)

	TITLE: QSFP+ 1X1 Cage Assembly w/ Light Pipe & Heat Sink			SHEET: 2/4		REV. E	
	DWG#: R-OR-Q1-4CME5			CHECKED: Gary Kang		APPROVED: George Yang	
	UNIT: mm	SCALE: A4 1:1	FINISH:	MATERIAL: RoHS Compliant		DATE: 05/28/2021	
	TOLERANCE: X± 0.15 .X± 0.10 .XX± 0.05		THIRD ANGLE PROJECTION	DRAWN: Howard			

A B C D E F G H

1  
2  
3  
4  
5  
6  
7  
8

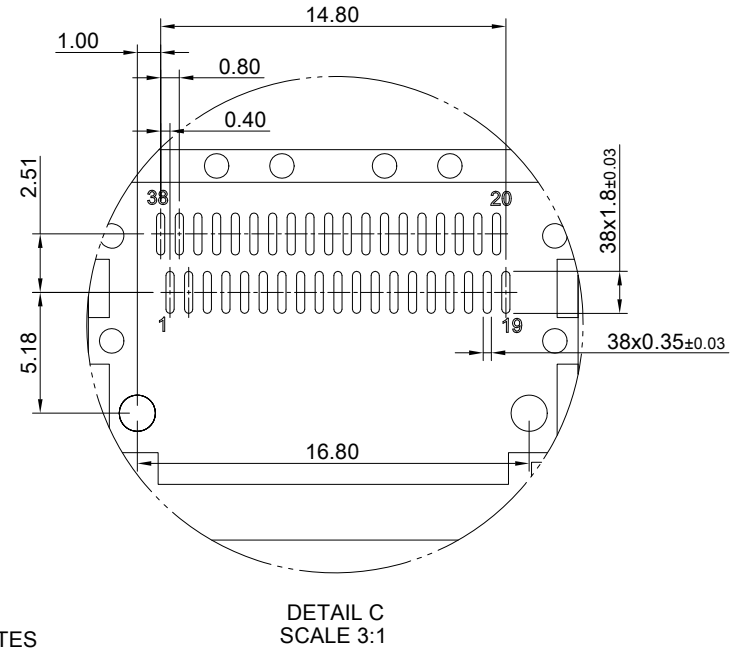
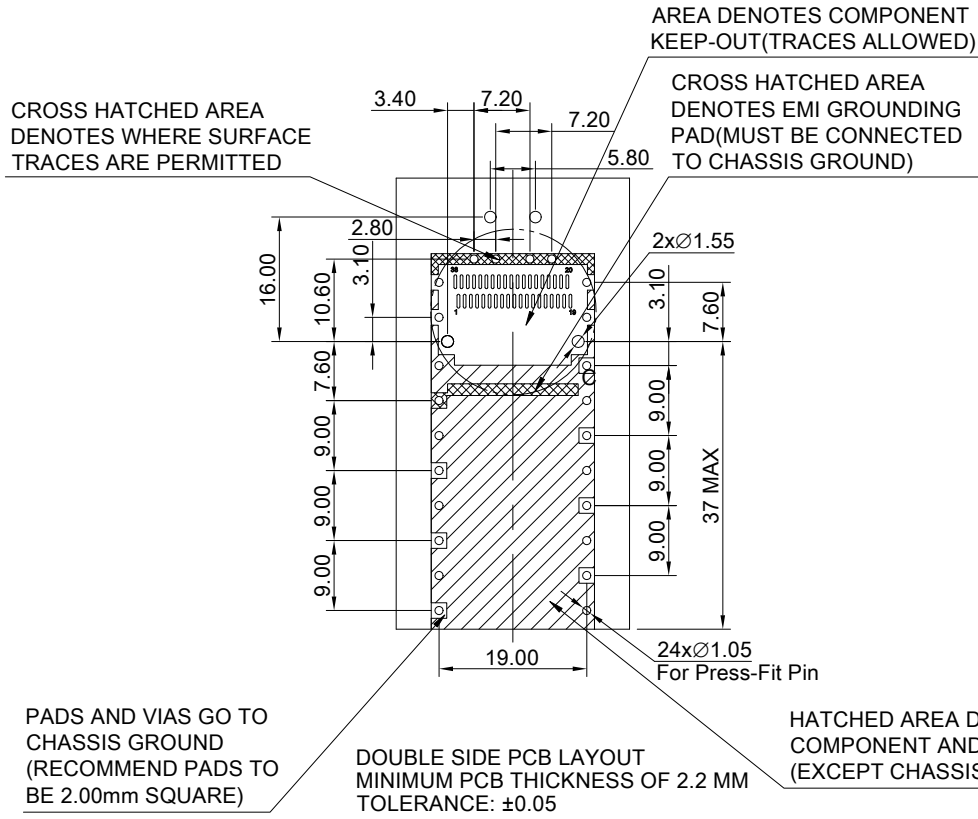




 <b>ALL BEST</b> ALL BEST ELECTRONICS CO., LTD.	TITLE: QSFP+ 1X1 Cage Assembly w/ Light Pipe & Heat Sink			SHEET:	REV.
	DWG#: R-OR-Q1-4CME5		3/4		E
	UNIT: mm	SCALE: A4 1:1	FINISH:		CHECKED: <i>Gary Kang</i>
	TOLERANCE: Angle: ± 1° X ± 0.15 .X ± 0.10 .XX ± 0.05		MATERIAL: RoHS Compliant	APPROVED: <i>George Yang</i>	
			DRAWN: Howard	DATE: 05/28/2021	

A B C D E F G H

A B C D E F G H

1  
2  
3  
4  
5  
6  
7  
8



 <b>ALL BEST</b> <b>ELECTRONICS</b> <b>CO., LTD.</b>	TITLE: QSFP+ 1X1 Cage Assembly w/ Light Pipe & Heat Sink			
	DWG#: R-OR-Q1-4CME5		SHEET: 4/4	REV. E
	UNIT: mm	SCALE: A4 1:1	FINISH:	
	TOLERANCE: X± 0.15 .X± 0.10 .XX± 0.05		MATERIAL: RoHS Compliant	CHECKED: Gary Kang
 THIRD ANGLE PROJECTION Angle: ± 1°		DRAWN: Howard	APPROVED: George Yang	
		DATE: 05/28/2021		

A B C D E F G H