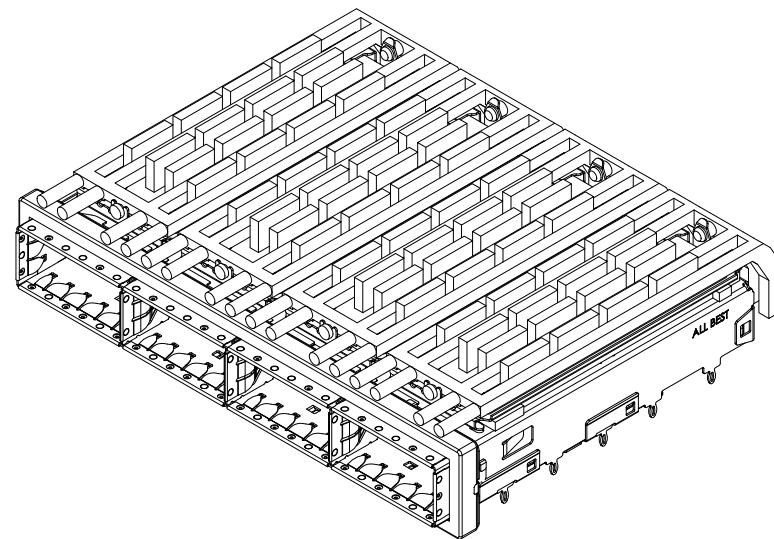


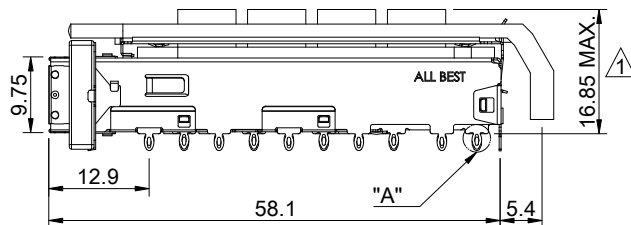
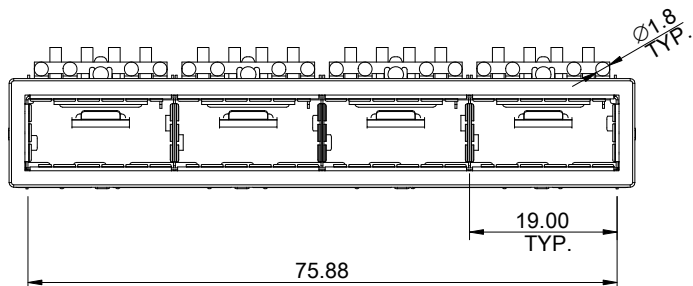
DETAIL A  
SCALE 5:1



MATERIAL  
 CAGE: NICKEL SILVER  
 HEAT SINK: ALUMINUM  
 HEAT SINK CLIP: STAINLESS STEEL  
 EMI SPRING: STAINLESS STEEL  
 EMI GASKET FLANGE: STAINLESS STEEL  
 EMI GASKET: CONDUCTIVE ELASTOMER  
 LIGHT PIPE: PC

FINISH  
 HEAT SINK: ANODE PROCESS

NOTE  
 ▲ DIMENSION APPLIES WITH MODULE INSERTED IN CAGE



THIS PRINT IS  
**PRELIMINARY**  
 UNQUALIFIED PRODUCT  
 CONTACT PRODUCT ENGINEERING  
 BEFORE USING THIS PRINT



TITLE: QSFP+ 1X4 Cage Assembly w/ Light Pipe & Heat Sink

DWG#: R-OR-Q4-4CGEH

SHEET: 1/4  
 REV. REF

UNIT: mm  
 SCALE: A4 1:1

FINISH: CHECKED:

THIRD ANGLE PROJECTION

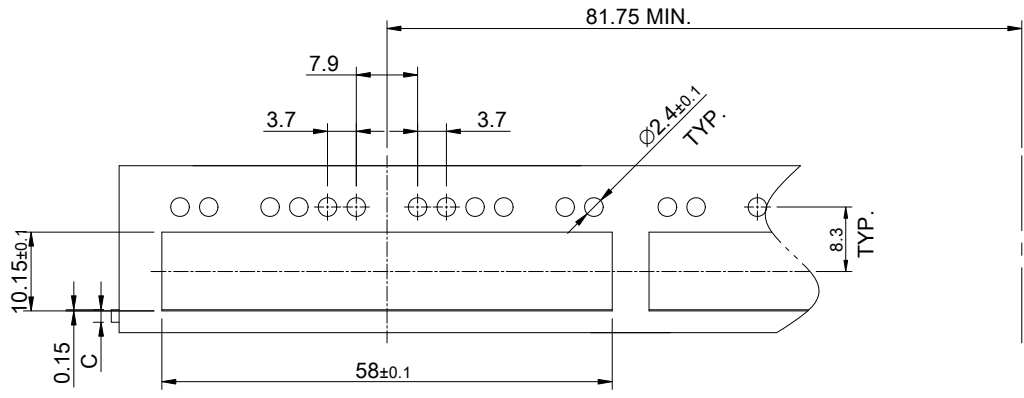
MATERIAL: RoHS Compliant

APPROVED:

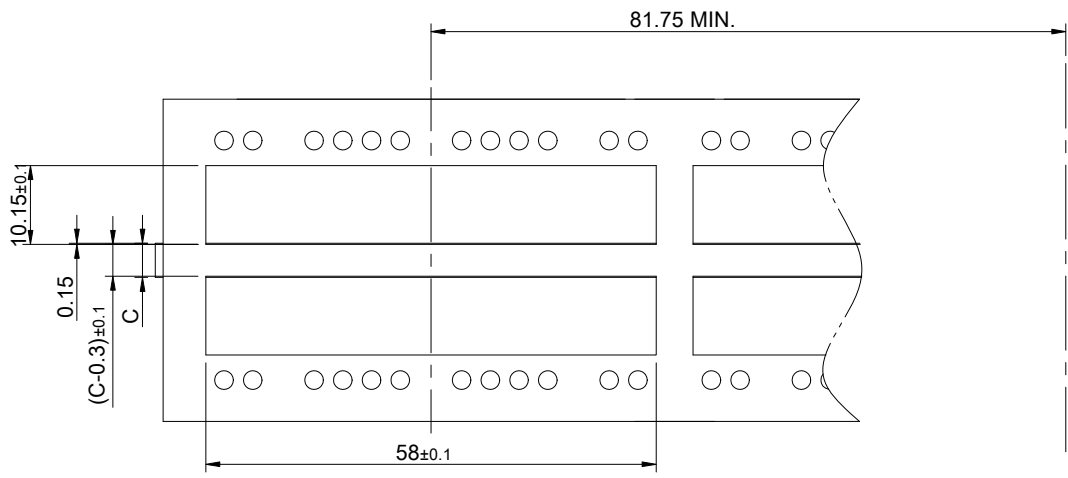
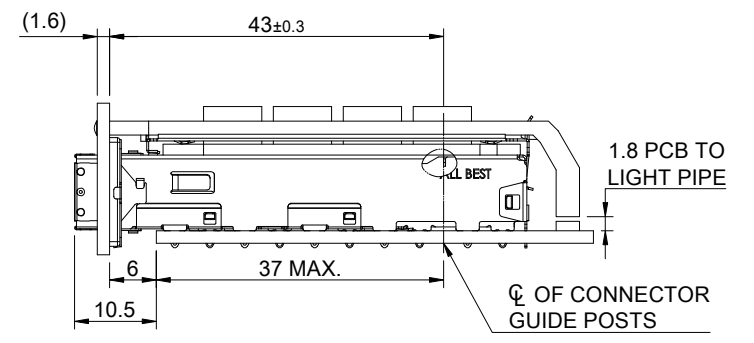
TOLERANCE: Angle: ± 1°  
 X: ± 0.25 .X: ± 0.20 .XX: ± 0.15

DRAWN: Gary

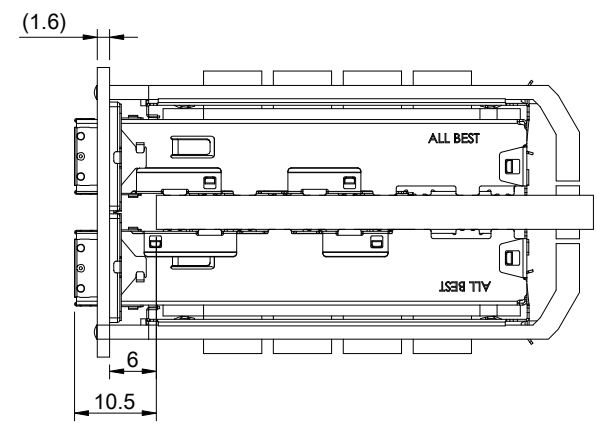
DATE: 03/15/2024



SINGLE-SIDE CONFIGURATION



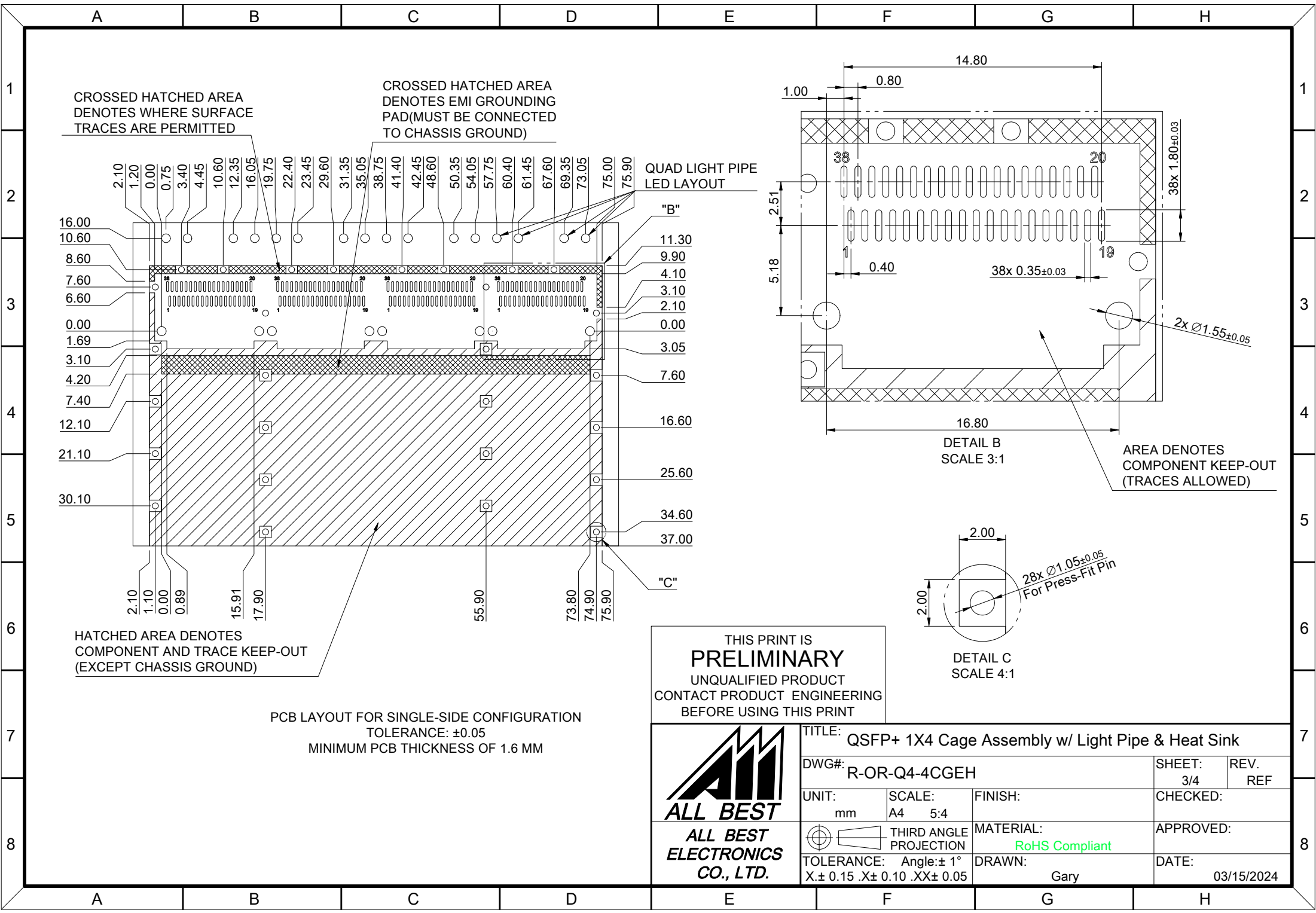
BELLY TO BELLY CONFIGURATION



C = THICKNESS OF PC BOARD  
 SINGLE-SIDE = 1.6MM (MIN.)  
 BELLY TO BELLY = 4.4MM (MIN.)

THIS PRINT IS  
**PRELIMINARY**  
 UNQUALIFIED PRODUCT  
 CONTACT PRODUCT ENGINEERING  
 BEFORE USING THIS PRINT

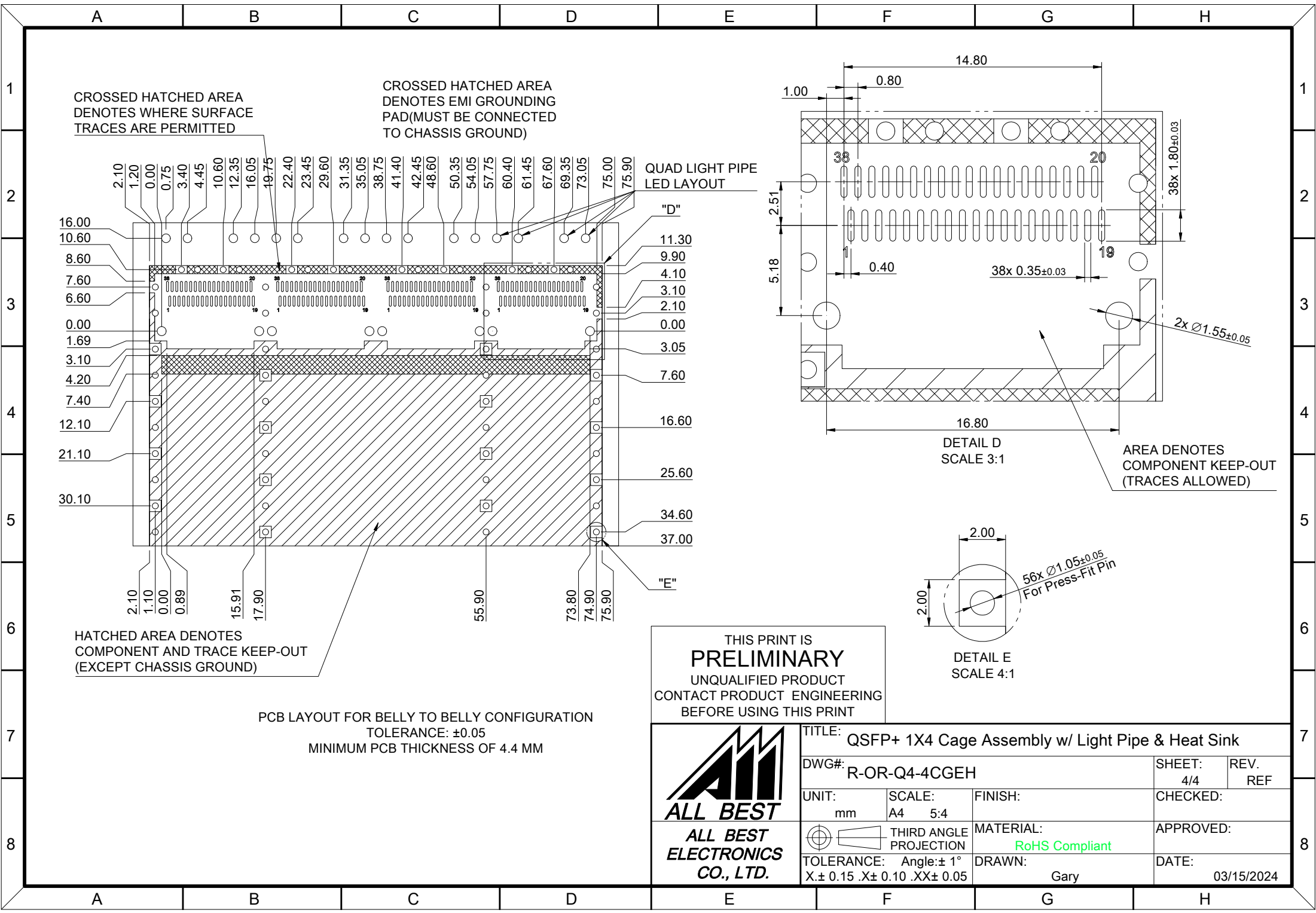
<p><b>ALL BEST</b>          ALL BEST          ELECTRONICS          CO., LTD.</p>	TITLE: QSFP+ 1X4 Cage Assembly w/ Light Pipe & Heat Sink		SHEET:	REV.
	DWG#: R-OR-Q4-4CGEH		2/4	REF
	UNIT:	SCALE:	FINISH:	
	mm	A4 1:1		
THIRD ANGLE PROJECTION		MATERIAL:		APPROVED:
TOLERANCE: Angle: ± 1° X ± 0.15 .X ± 0.10 .XX ± 0.05		RoHS Compliant		DATE:
		DRAWN: Gary		03/15/2024



THIS PRINT IS  
**PRELIMINARY**  
 UNQUALIFIED PRODUCT  
 CONTACT PRODUCT ENGINEERING  
 BEFORE USING THIS PRINT



TITLE: QSFP+ 1X4 Cage Assembly w/ Light Pipe & Heat Sink			
DWG#: R-OR-Q4-4CGEH		SHEET: 3/4	REV. REF
UNIT: mm	SCALE: A4 5:4	CHECKED:	
TOLERANCE: Angle: $\pm 1^\circ$ X: $\pm 0.15$ .X: $\pm 0.10$ .XX: $\pm 0.05$		MATERIAL: RoHS Compliant	APPROVED:
THIRD ANGLE PROJECTION		DRAWN: Gary	DATE: 03/15/2024



THIS PRINT IS  
**PRELIMINARY**  
UNQUALIFIED PRODUCT  
CONTACT PRODUCT ENGINEERING  
BEFORE USING THIS PRINT



TITLE: QSFP+ 1X4 Cage Assembly w/ Light Pipe & Heat Sink			
DWG#: R-OR-Q4-4CGEH		SHEET: 4/4	REV. REF
UNIT: mm	SCALE: A4 5:4	FINISH:	CHECKED:
TOLERANCE: Angle: ± 1° X ± 0.15 .X ± 0.10 .XX ± 0.05		MATERIAL: RoHS Compliant	APPROVED:
THIRD ANGLE PROJECTION		DRAWN: Gary	DATE: 03/15/2024