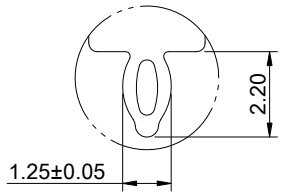
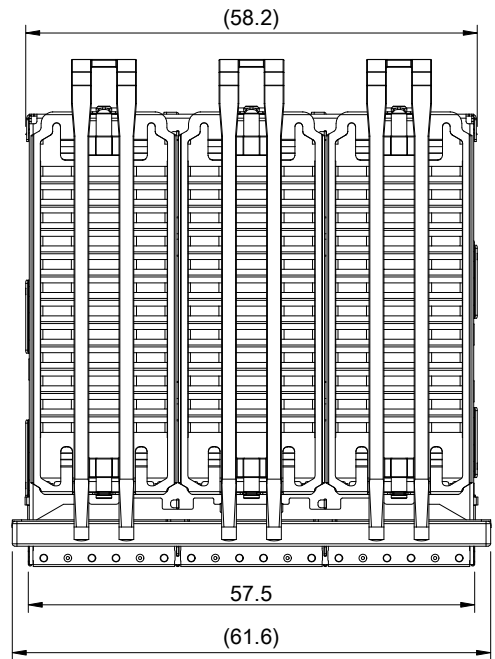
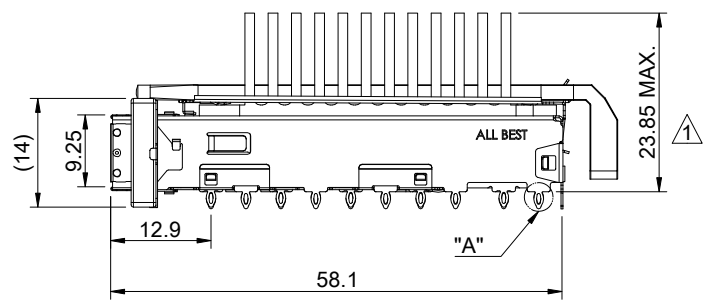
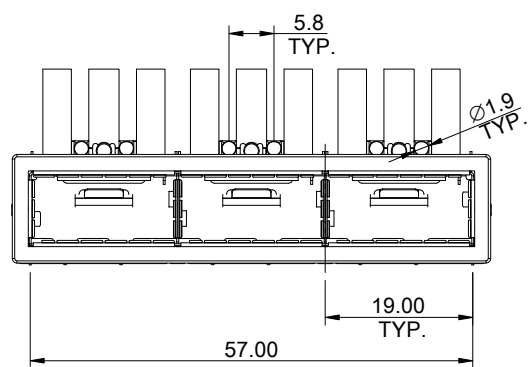
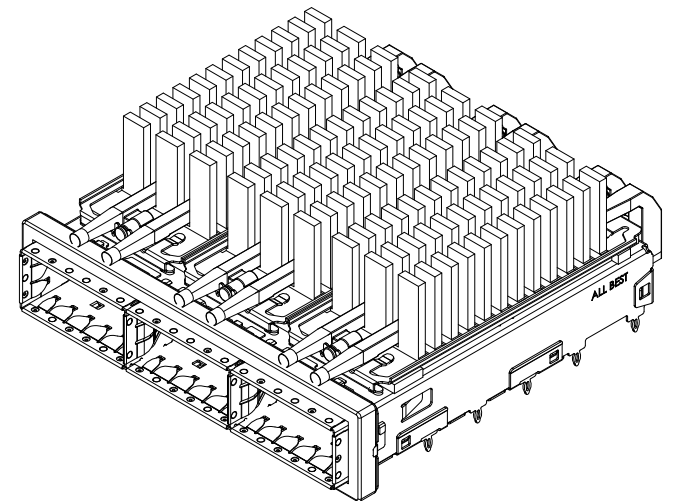


A B C D E F G H

1
2
3
4
5
6
7
8



DETAIL A
SCALE 5:1



MATERIAL
 CAGE: NICKEL SILVER
 HEAT SINK: ALUMINUM
 HEAT SINK CLIP: STAINLESS STEEL
 EMI SPRING: STAINLESS STEEL
 EMI GASKET FLANGE: STAINLESS STEEL
 EMI GASKET: CONDUCTIVE ELASTOMER
 LIGHT PIPE: PC

FINISH
 HEAT SINK: ANODE PROCESS

NOTE
 ▲ DIMENSION APPLIES WITH MODULE INSERTED IN CAGE

THIS PRINT IS
PRELIMINARY
 UNQUALIFIED PRODUCT
 CONTACT PRODUCT ENGINEERING
 BEFORE USING THIS PRINT



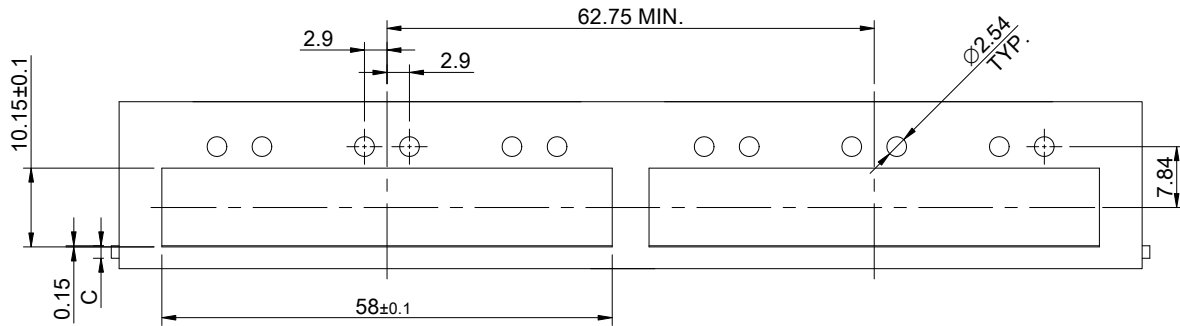
| | | | |
|--|---------------|--------------------------|------------------|
| TITLE: QSFP+ 1X3 Cage Assembly w/ Light Pipe & Heat Sink | | | |
| DWG#: R-OR-Q3-4CGE3 | | SHEET: 1/4 | REV. REF |
| UNIT: mm | SCALE: A4 1:1 | FINISH: | CHECKED: |
| TOLERANCE: Angle: ± 1° X ± 0.25 .X ± 0.20 .XX ± 0.15 | | MATERIAL: RoHS Compliant | APPROVED: |
| THIRD ANGLE PROJECTION | | DRAWN: Gary | DATE: 03/15/2024 |

A B C D E F G H

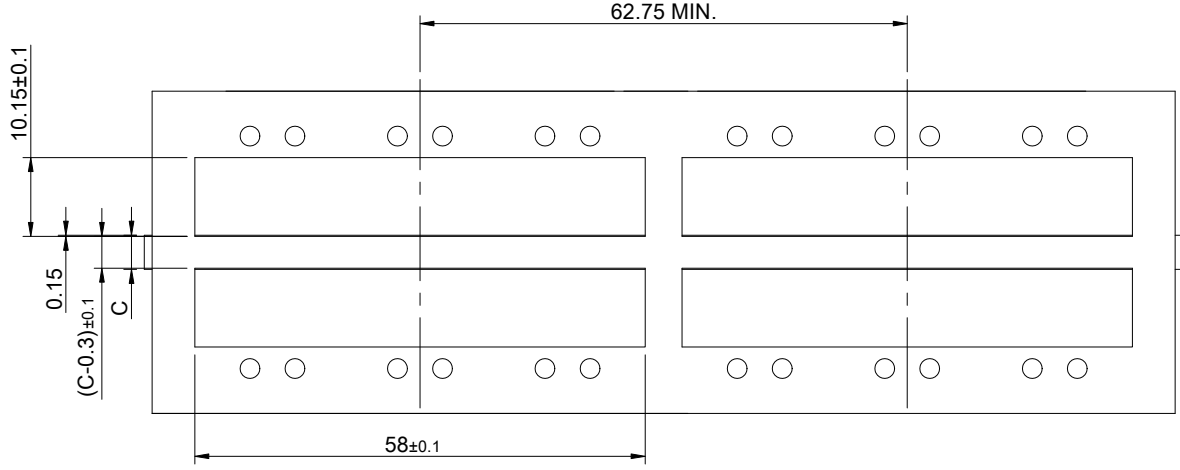
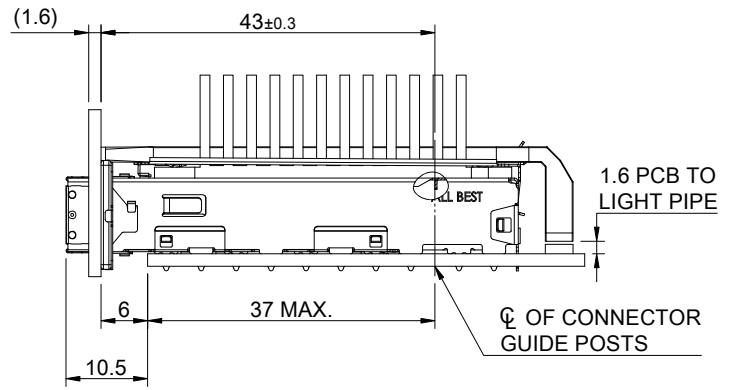
A B C D E F G H

1
2
3
4
5
6
7
8

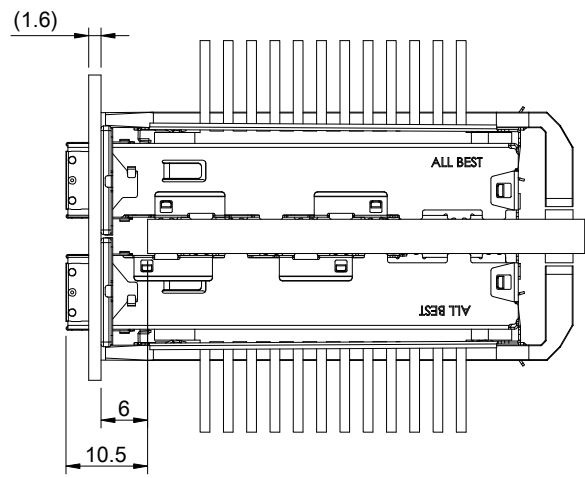
1
2
3
4
5
6
7
8



ONE SIDED CONFIGURATION



BELLY TO BELLY CONFIGURATION



C=THICKNESS OF PC BOARD
SINGLE SIDED=1.6MM(MIN)
DOUBLE SIDE=4.4MM(MIN)

THIS PRINT IS
PRELIMINARY
UNQUALIFIED PRODUCT
CONTACT PRODUCT ENGINEERING
BEFORE USING THIS PRINT



| | | | |
|--|---------------|--------------------------|------------------|
| TITLE: QSFP+ 1X3 Cage Assembly w/ Light Pipe & Heat Sink | | | |
| DWG#: R-OR-Q3-4CGE3 | | SHEET: 2/4 | REV. REF |
| UNIT: mm | SCALE: A4 1:1 | CHECKED: | |
| TOLERANCE: Angle: ± 1° X ± 0.15 .X ± 0.10 .XX ± 0.05 | | MATERIAL: RoHS Compliant | APPROVED: |
| THIRD ANGLE PROJECTION | | DRAWN: Gary | DATE: 03/15/2024 |

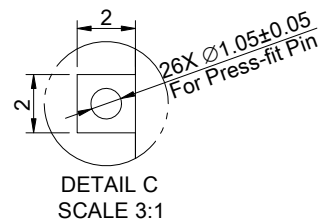
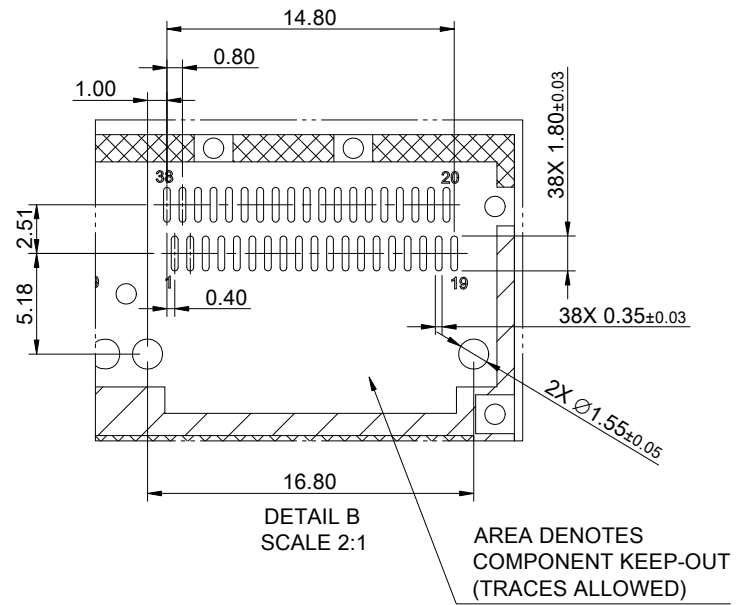
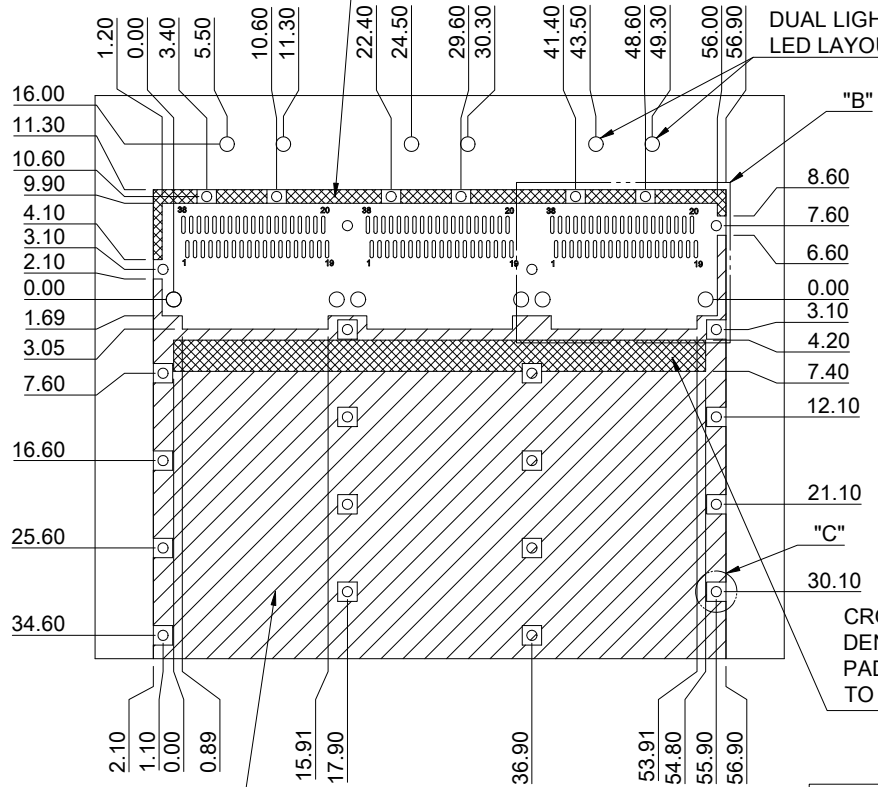
A B C D E F G H

A B C D E F G H

1
2
3
4
5
6
7
8

CROSS HATCHED AREA
DENOTES WHERE SURFACE
TRACES ARE PERMITTED

DUAL LIGHT PIPE
LED LAYOUT



HATCHED AREA DENOTES
COMPONENT AND TRACE KEEP-OUT
(EXCEPT CHASSIS GROUND)

CROSS HATCHED AREA
DENOTES EMI GROUNDING
PAD (MUST BE CONNECTED
TO CHASSIS GROUND)

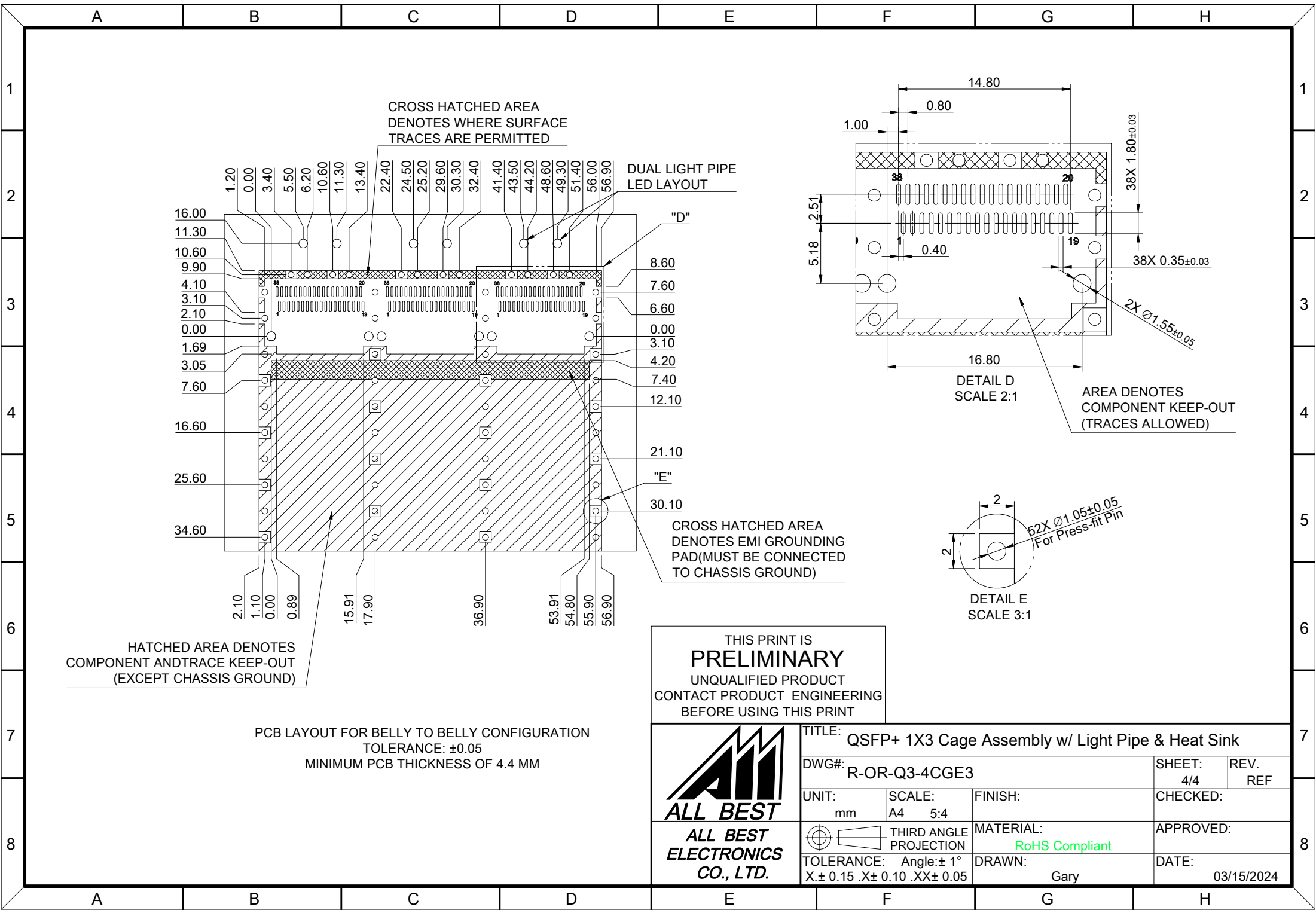
PCB LAYOUT FOR SINGLE-SIDE CONFIGURATION
TOLERANCE: ±0.05
MINIMUM PCB THICKNESS OF 1.6 MM

THIS PRINT IS
PRELIMINARY
UNQUALIFIED PRODUCT
CONTACT PRODUCT ENGINEERING
BEFORE USING THIS PRINT



| | | | |
|--|---------------|--------------------------|------------------|
| TITLE: QSFP+ 1X3 Cage Assembly w/ Light Pipe & Heat Sink | | | |
| DWG#: R-OR-Q3-4CGE3 | | SHEET: 3/4 | REV. REF |
| UNIT: mm | SCALE: A4 5:4 | FINISH: | CHECKED: |
| THIRD ANGLE PROJECTION | | MATERIAL: RoHS Compliant | APPROVED: |
| TOLERANCE: Angle: ± 1° X ± 0.15 .X ± 0.10 .XX ± 0.05 | | DRAWN: Gary | DATE: 03/15/2024 |

A B C D E F G H



THIS PRINT IS
PRELIMINARY
 UNQUALIFIED PRODUCT
 CONTACT PRODUCT ENGINEERING
 BEFORE USING THIS PRINT



| | | | |
|--|---------------|--------------------------|------------------|
| TITLE: QSFP+ 1X3 Cage Assembly w/ Light Pipe & Heat Sink | | | |
| DWG#: R-OR-Q3-4CGE3 | | SHEET: 4/4 | REV. REF |
| UNIT: mm | SCALE: A4 5:4 | CHECKED: | |
| THIRD ANGLE PROJECTION | | APPROVED: | |
| TOLERANCE: Angle: ± 1° X ± 0.15 .X ± 0.10 .XX ± 0.05 | | MATERIAL: RoHS Compliant | DATE: 03/15/2024 |
| | | DRAWN: Gary | |

PCB LAYOUT FOR BELLY TO BELLY CONFIGURATION
 TOLERANCE: ±0.05
 MINIMUM PCB THICKNESS OF 4.4 MM

HATCHED AREA DENOTES
 COMPONENT AND TRACE KEEP-OUT
 (EXCEPT CHASSIS GROUND)

CROSS HATCHED AREA
 DENOTES WHERE SURFACE
 TRACES ARE PERMITTED

DUAL LIGHT PIPE
 LED LAYOUT

DETAIL D
 SCALE 2:1

AREA DENOTES
 COMPONENT KEEP-OUT
 (TRACES ALLOWED)

DETAIL E
 SCALE 3:1

CROSS HATCHED AREA
 DENOTES EMI GROUNDING
 PAD (MUST BE CONNECTED
 TO CHASSIS GROUND)