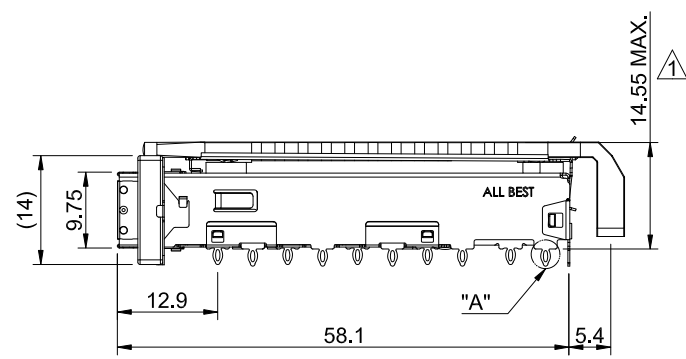
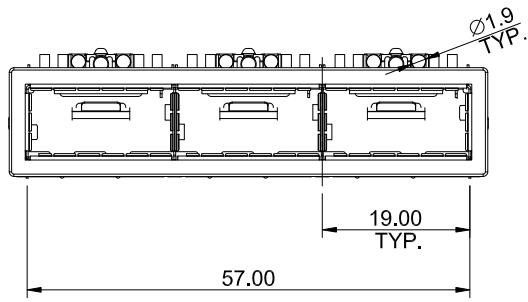
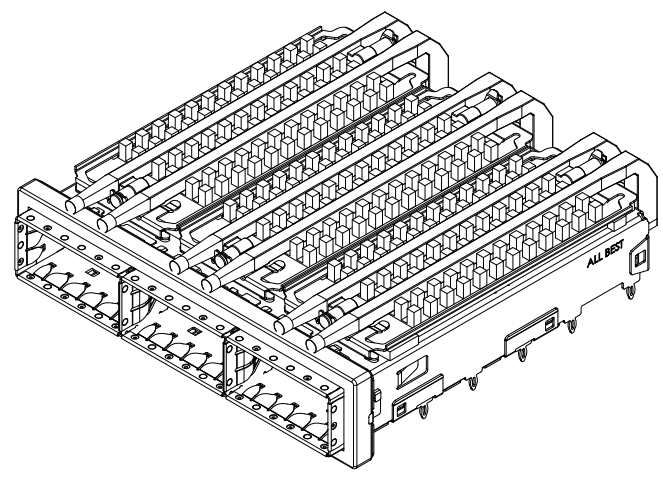


DETAIL A
SCALE 5:1



MATERIAL
 CAGE: NICKEL SILVER
 HEAT SINK: ALUMINUM
 HEAT SINK CLIP: STAINLESS STEEL
 EMI SPRING: STAINLESS STEEL
 EMI GASKET FLANGE: STAINLESS STEEL
 EMI GASKET: CONDUCTIVE ELASTOMER
 LIGHT PIPE: PC

FINISH
 HEAT SINK: ANODE PROCESS

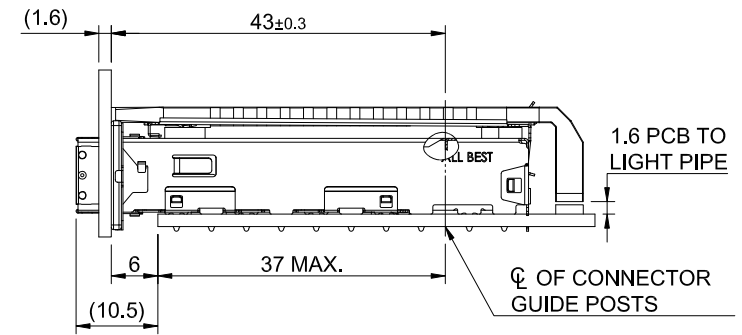
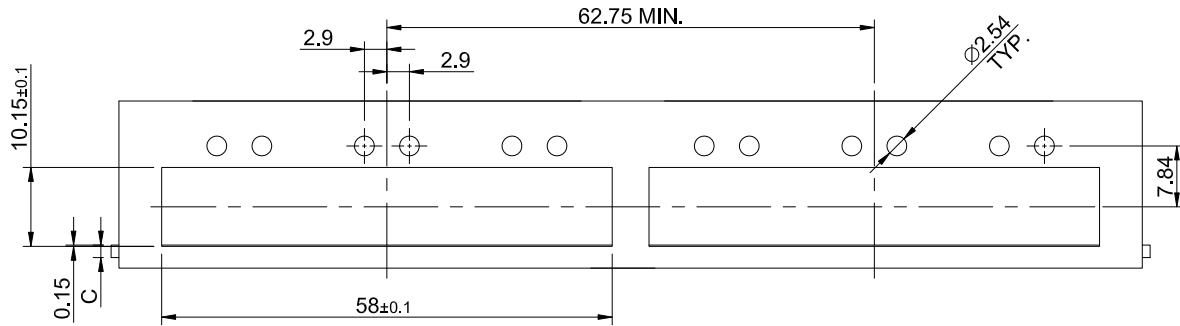
NOTE
 ▲ DIMENSION APPLIES WITH MODULE INSERTED IN CAGE

 ALL BEST ALL BEST ELECTRONICS CO., LTD.	TITLE: QSFP+ 1X3 Cage Assembly w/ Light Pipe & Heat Sink		SHEET: 1/4		REV.: C	
	DWG#: R-OR-Q3-4CGE5		CHECKED: Gary Yang		APPROVED: George Yang	
	UNIT: mm	SCALE: A4 1:1	FINISH:	MATERIAL: RoHS Compliant		
	TOLERANCE: Angle: ± 1° X.± 0.25 .X± 0.20 .XX± 0.15		THIRD ANGLE PROJECTION	DRAWN: Boris	DATE: 08/24/2018	

A B C D E F G H

1

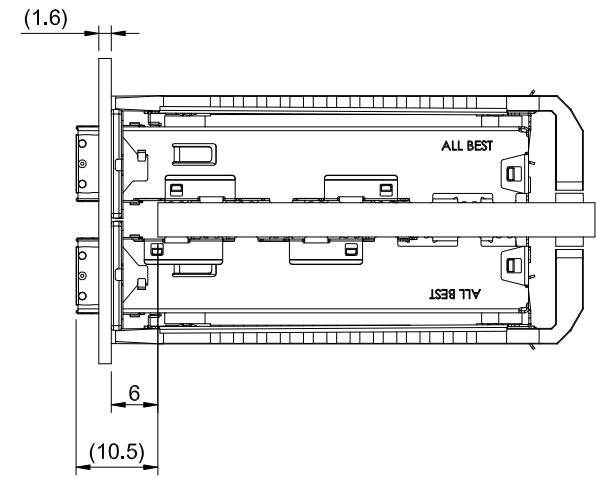
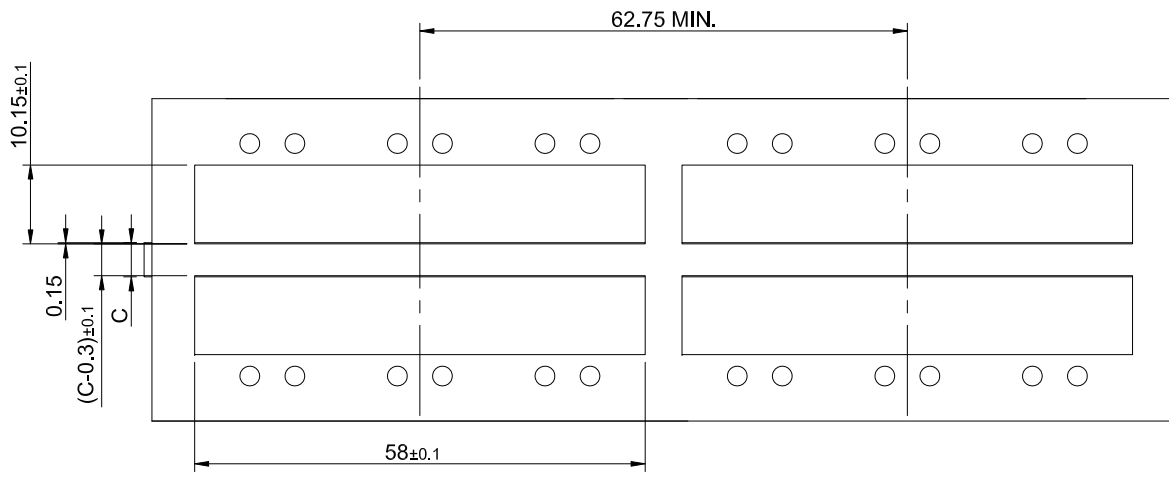
1



ONE SIDED CONFIGURATION

3

3



BELLY TO BELLY CONFIGURATION

4

4

5

5

6

6

C=THICKNESS OF PC BOARD
SINGLE SIDED=1.6MM(MIN)
DOUBLE SIDE=4.4MM(MIN)



TITLE: QSFP+ 1X3 Cage Assembly w/ Light Pipe & Heat Sink

DWG#: R-OR-Q3-4CGE5

UNIT: mm	SCALE: A4 1:1	FINISH:	SHEET: 2/4	REV. C
-------------	------------------	---------	---------------	-----------

THIRD ANGLE PROJECTION	MATERIAL: RoHS Compliant	CHECKED: Gary Yang
------------------------	-----------------------------	-----------------------

TOLERANCE: X± 0.15 .X± 0.10 .XX± 0.05	ANGLE: ± 1°	DRAWN: Boris	APPROVED: George Yang	DATE: 08/24/2018
---------------------------------------	-------------	-----------------	--------------------------	---------------------

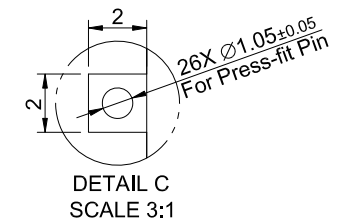
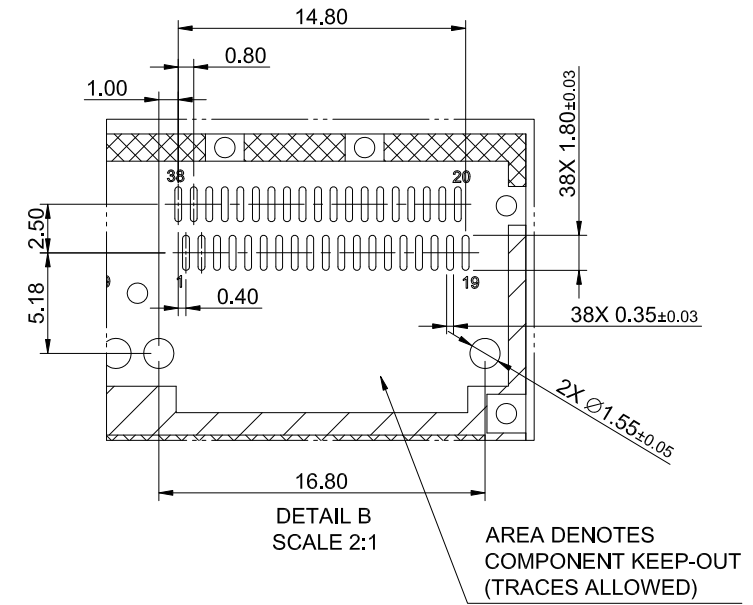
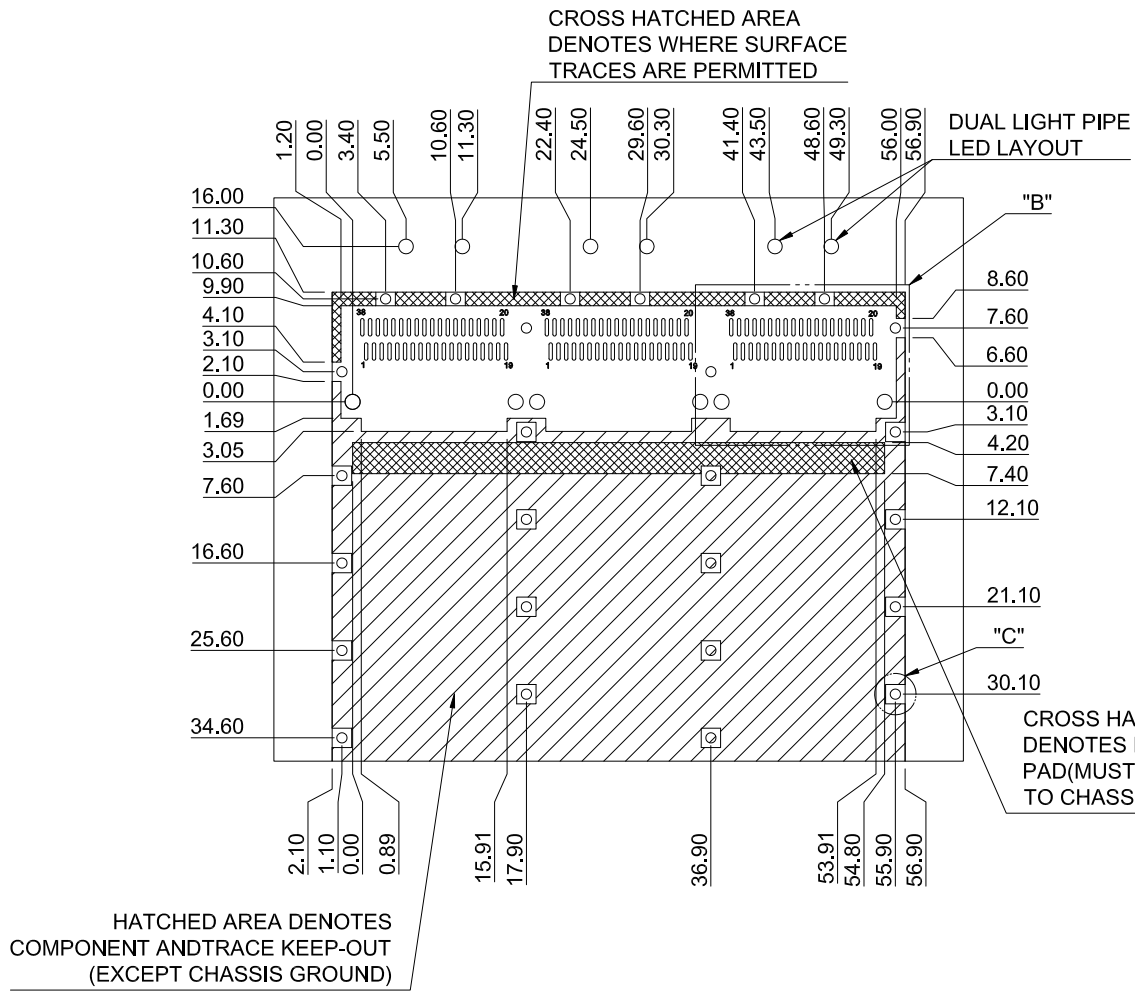
7

7

8

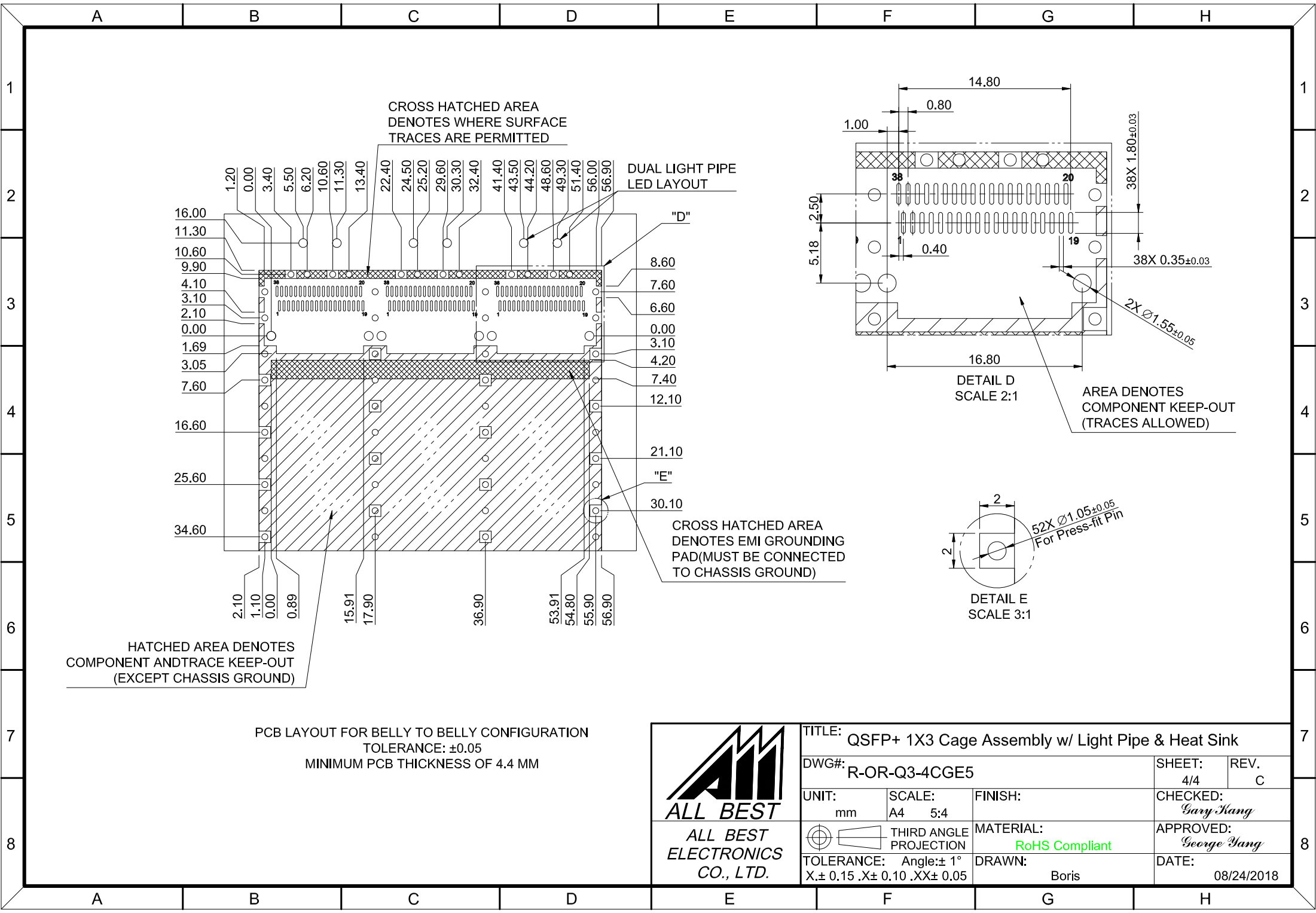
8

A B C D E F G H

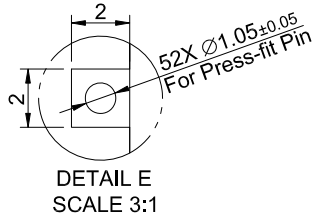
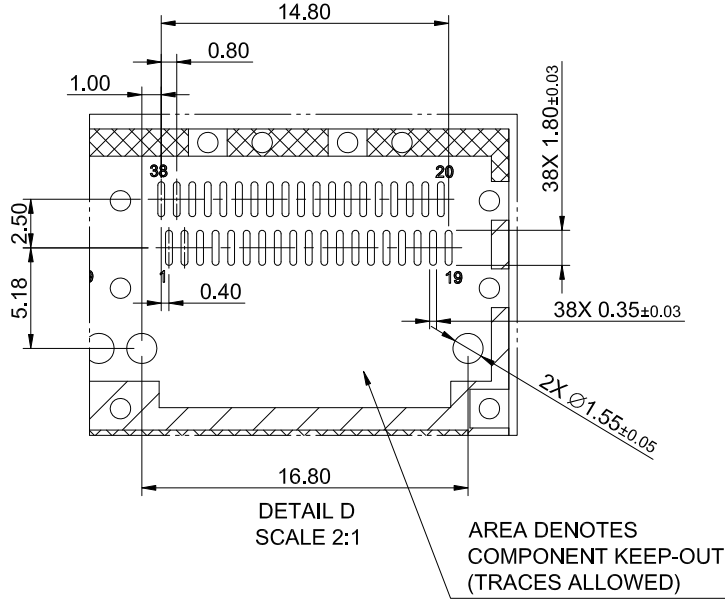
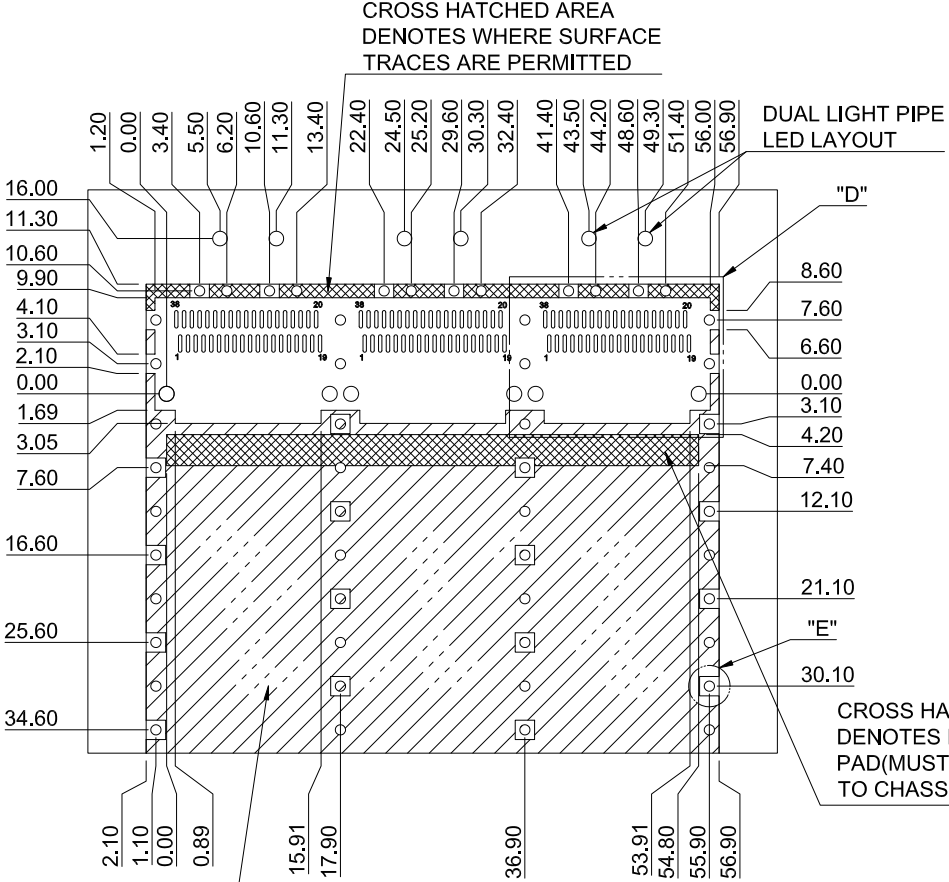


PCB LAYOUT FOR SINGLE-SIDE CONFIGURATION
 TOLERANCE: ±0.05
 MINIMUM PCB THICKNESS OF 1.6 MM

		TITLE: QSFP+ 1X3 Cage Assembly w/ Light Pipe & Heat Sink	
		DWG#: R-OR-Q3-4CGE5	SHEET: 3/4 REV. C
UNIT: mm	SCALE: A4 5:4	FINISH:	CHECKED: Gary Yang
THIRD ANGLE PROJECTION		MATERIAL: RoHS Compliant	APPROVED: George Yang
TOLERANCE: Angle: ± 1° X ± 0.15 .X ± 0.10 .XX ± 0.05		DRAWN: Boris	DATE: 08/24/2018



HATCHED AREA DENOTES
COMPONENT AND TRACE KEEP-OUT
(EXCEPT CHASSIS GROUND)



PCB LAYOUT FOR BELLY TO BELLY CONFIGURATION
TOLERANCE: ±0.05
MINIMUM PCB THICKNESS OF 4.4 MM

<p>ALL BEST ELECTRONICS CO., LTD.</p>		TITLE: QSFP+ 1X3 Cage Assembly w/ Light Pipe & Heat Sink	
		DWG#: R-OR-Q3-4CGE5	SHEET: 4/4 REV.: C
UNIT: mm	SCALE: A4 5:4	FINISH:	CHECKED: <i>Gary Yang</i>
THIRD ANGLE PROJECTION	TOLERANCE: Angle: ± 1° X ± 0.15 .X ± 0.10 .XX ± 0.05	MATERIAL: RoHS Compliant	APPROVED: <i>George Yang</i>
		DRAWN: Boris	DATE: 08/24/2018