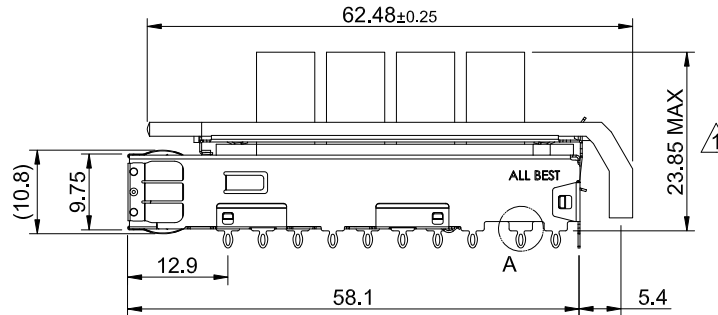
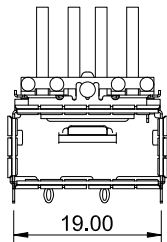
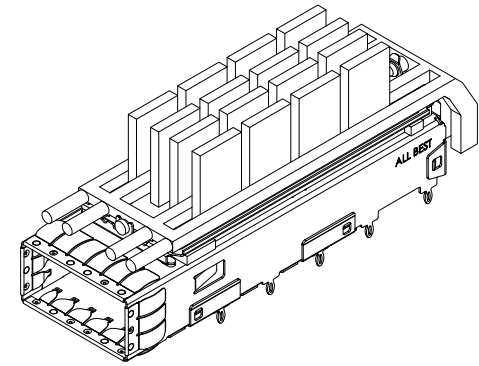


DETAIL A
SCALE 5:1



MATERIAL
 CAGE: NICKEL SILVER
 HEAT SINK: ALUMINUM
 HEAT SINK CLIP: STAINLESS STEEL
 EMI SPRING: STAINLESS STEEL
 LIGHT PIPE: PC

FINISH
 HEAT SINK: ANODE PROCESS

NOTE
 ⚠ DIMENSION APPLIES WITH MODULE INSERTED IN CAGE



TITLE: QSFP+ 1X1 Cage Assembly w/ Light Pipe & Heat Sink

DWG#: R-OR-Q1-4CMEE

SHEET: 1/4
 REV. B

UNIT: mm
 SCALE: A4 1:1

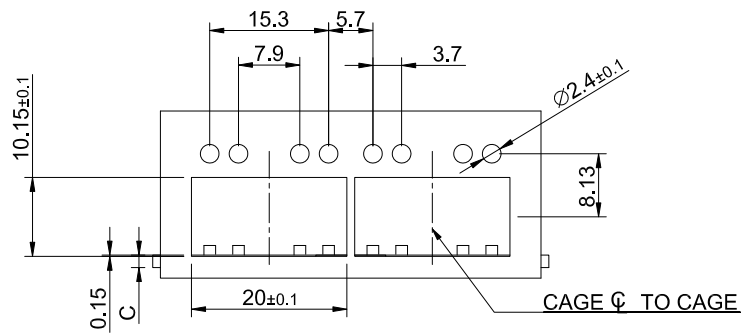
FINISH: CHECKED: Gary Kang

THIRD ANGLE PROJECTION

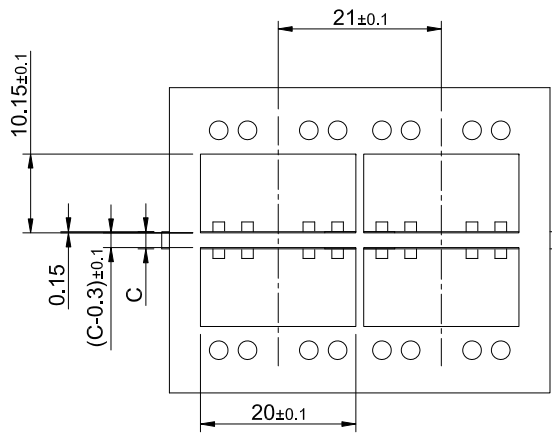
MATERIAL: RoHS Compliant
 APPROVED: George Yang

TOLERANCE: Angle: ± 1°
 X: ± 0.25 .X: ± 0.20 .XX: ± 0.15

DRAWN: Boris
 DATE: 09/06/2016

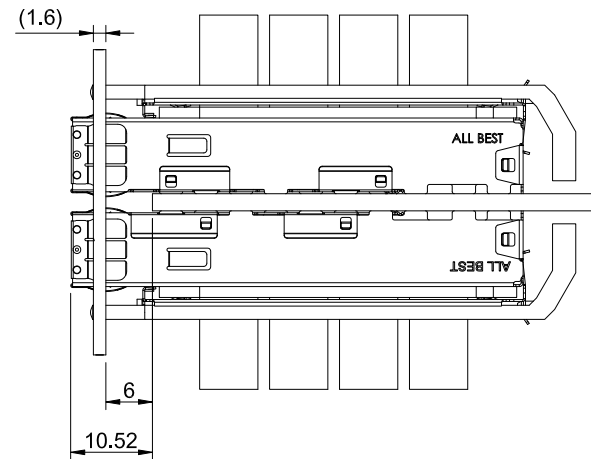
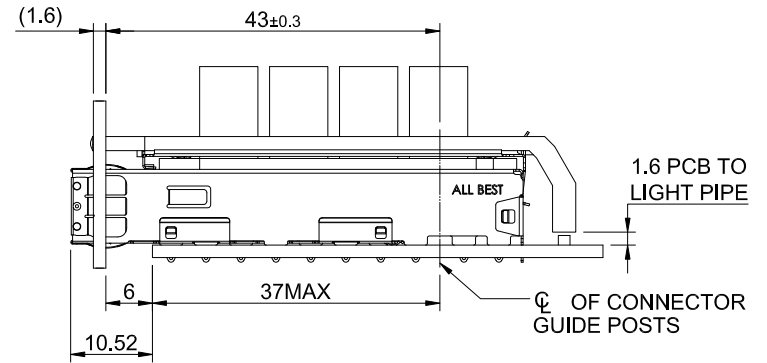



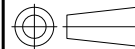
ONE SIDED CONFIGURATION

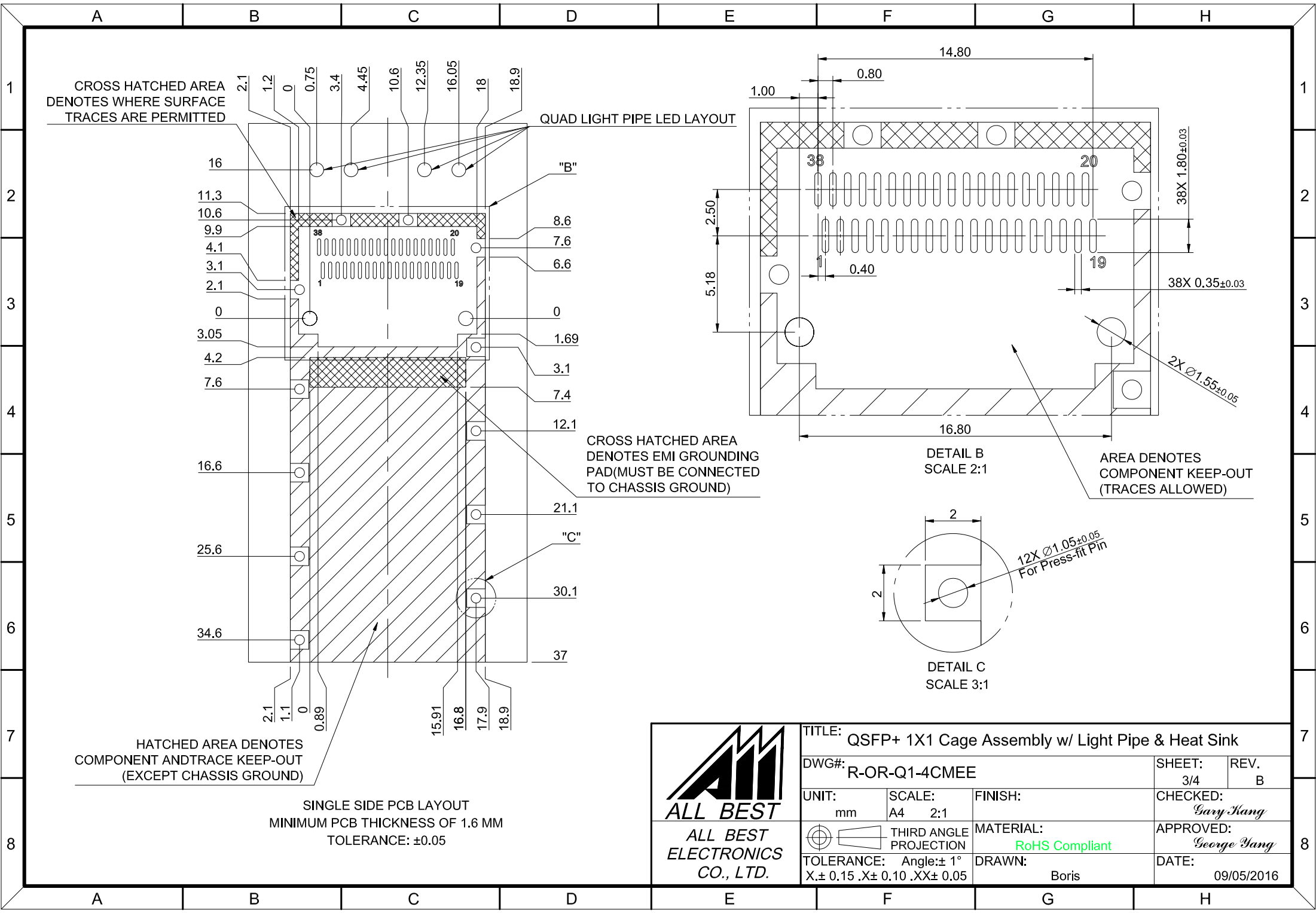



BELLY TO BELLY CONFIGURATION

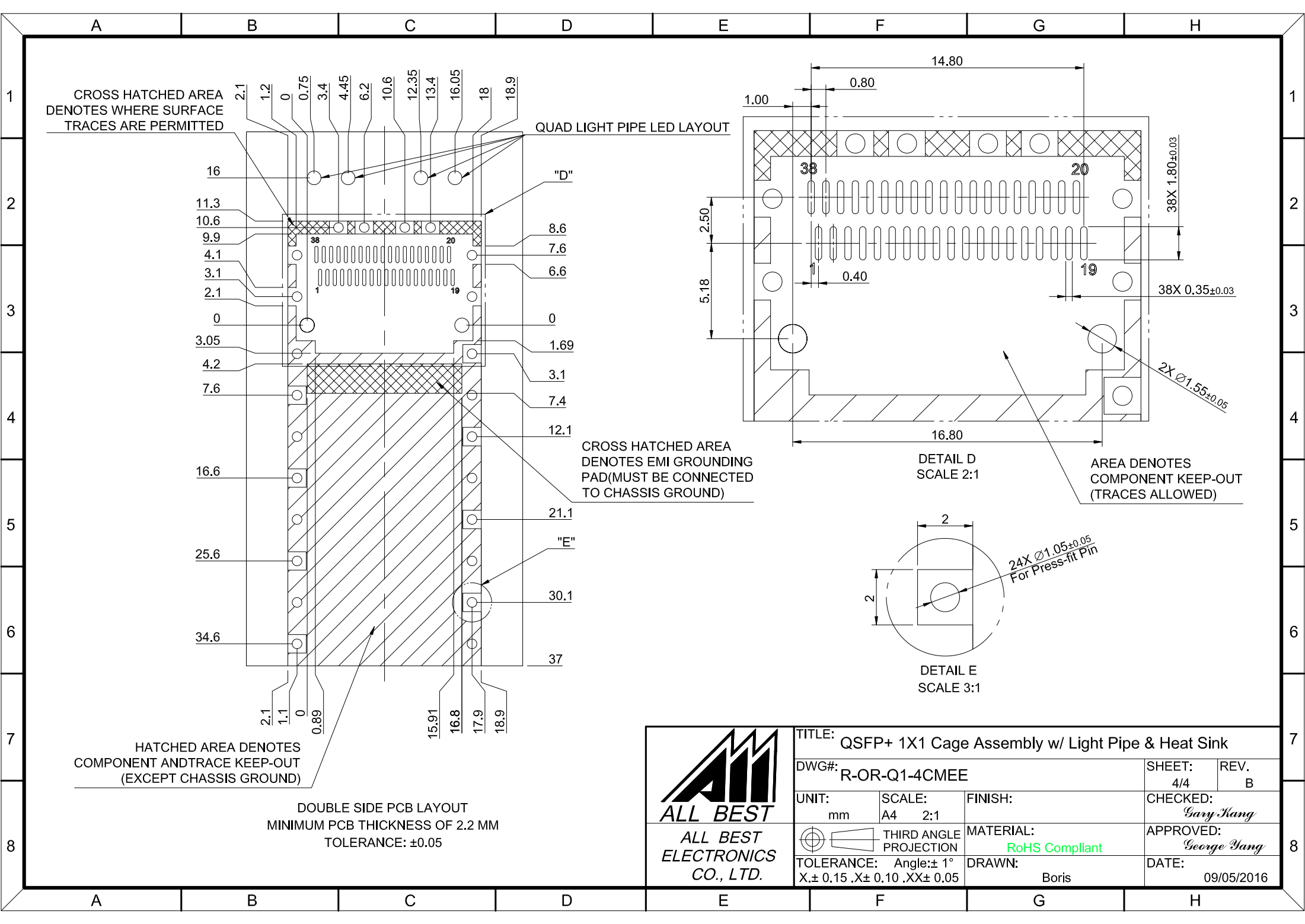
C=THICKNESS OF PC BOARD
 SINGLE SIDED=1.6MM(MIN)
 DOUBLE SIDE=2.2MM(MIN)



 ALL BEST ELECTRONICS CO., LTD.	TITLE: QSFP+ 1X1 Cage Assembly w/ Light Pipe & Heat Sink		SHEET: 2/4	REV. B	
	DWG#: R-OR-Q1-4CMEE		CHECKED: Gary Kang		
	UNIT: mm	SCALE: A4 1:1	MATERIAL: RoHS Compliant	APPROVED: George Yang	
	TOLERANCE: X.± 0.15 .X± 0.10 .XX± 0.05		DRAWN: Boris	DATE: 09/06/2016	
 THIRD ANGLE PROJECTION					



 ALL BEST ELECTRONICS CO., LTD.	TITLE: QSFP+ 1X1 Cage Assembly w/ Light Pipe & Heat Sink			SHEET: 3/4		REV. B
	DWG#: R-OR-Q1-4CMEE			CHECKED: Gary Yang		
	UNIT: mm	SCALE: A4 2:1	FINISH:	APPROVED: George Yang		
	TOLERANCE: Angle: ± 1° X ± 0.15 .X ± 0.10 .XX ± 0.05		MATERIAL: RoHS Compliant	DATE: 09/05/2016		
THIRD ANGLE PROJECTION		DRAWN: Boris				



CROSS HATCHED AREA DENOTES WHERE SURFACE TRACES ARE PERMITTED

QUAD LIGHT PIPE LED LAYOUT

CROSS HATCHED AREA DENOTES EMI GROUNDING PAD (MUST BE CONNECTED TO CHASSIS GROUND)


DETAIL D SCALE 2:1

AREA DENOTES COMPONENT KEEP-OUT (TRACES ALLOWED)

DETAIL E SCALE 3:1

HATCHED AREA DENOTES COMPONENT AND TRACE KEEP-OUT (EXCEPT CHASSIS GROUND)

DOUBLE SIDE PCB LAYOUT
MINIMUM PCB THICKNESS OF 2.2 MM
TOLERANCE: ±0.05

 ALL BEST ELECTRONICS CO., LTD.	TITLE: QSFP+ 1X1 Cage Assembly w/ Light Pipe & Heat Sink			SHEET: 4/4		REV. B	
	DWG#: R-OR-Q1-4CMEE			CHECKED: Gary Kang		APPROVED: George Yang	
	UNIT: mm	SCALE: A4 2:1	FINISH:	MATERIAL: RoHS Compliant		DATE: 09/05/2016	
	TOLERANCE: X±0.15 .X±0.10 .XX±0.05		THIRD ANGLE PROJECTION	DRAWN: Boris			