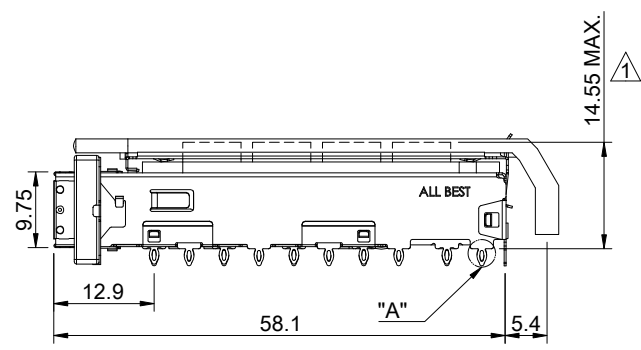
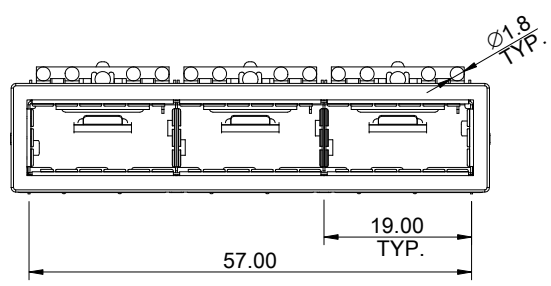
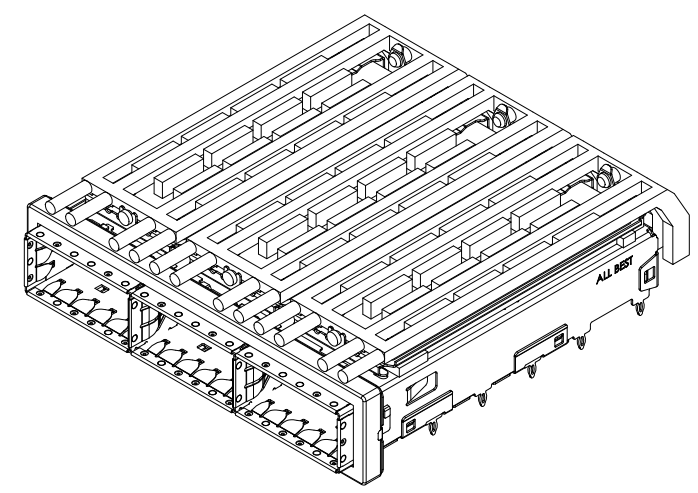


DETAIL A  
SCALE 5:1



- MATERIAL**  
 CAGE: NICKEL SILVER  
 HEAT SINK: ALUMINUM  
 HEAT SINK CLIP: STAINLESS STEEL  
 EMI SPRING: STAINLESS STEEL  
 EMI GASKET FLANGE: STAINLESS STEEL  
 EMI GASKET: CONDUCTIVE ELASTOMER  
 LIGHT PIPE: PC

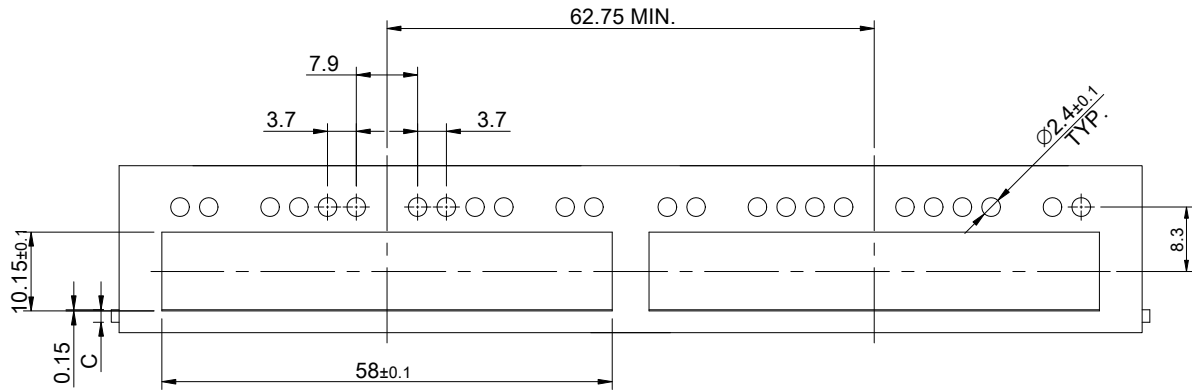
- FINISH**  
 HEAT SINK: ANODE PROCESS

**NOTE**  
 ⚠️ DIMENSION APPLIES WITH MODULE INSERTED IN CAGE

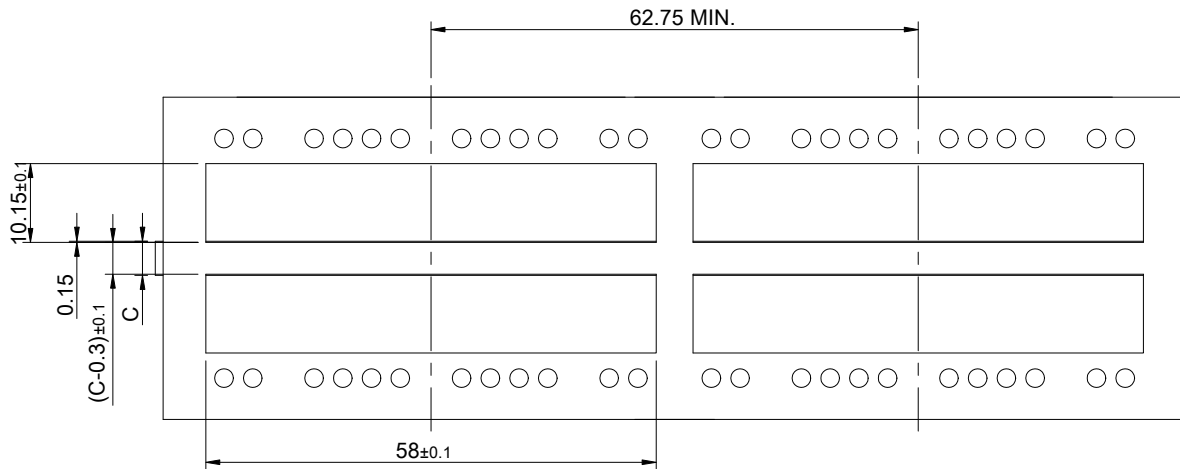
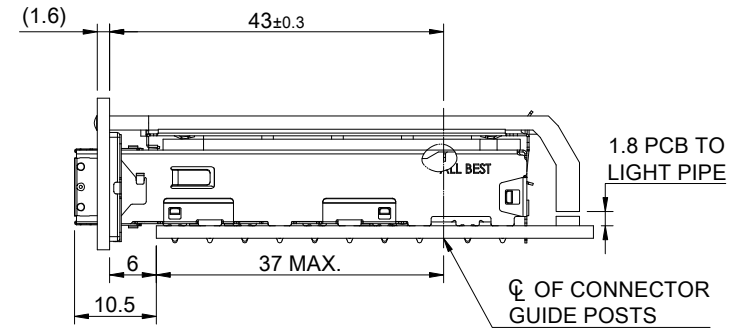
THIS PRINT IS  
**PRELIMINARY**  
 UNQUALIFIED PRODUCT  
 CONTACT PRODUCT ENGINEERING  
 BEFORE USING THIS PRINT



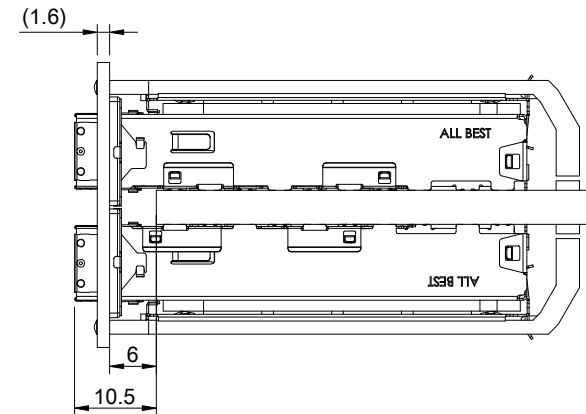
<b>TITLE:</b> QSFP+ 1X3 Cage Assembly w/ Light Pipe & Heat Sink			
<b>DWG#:</b> R-OR-Q3-4CGEG		<b>SHEET:</b> 1/4	<b>REV. REF</b>
<b>UNIT:</b> mm	<b>SCALE:</b> A4 1:1	<b>CHECKED:</b>	
<b>THIRD ANGLE PROJECTION</b> <b>TOLERANCE:</b> Angle: ± 1° X.± 0.25 .X± 0.20 .XX± 0.15		<b>MATERIAL:</b> RoHS Compliant	<b>APPROVED:</b>
<b>DRAWN:</b> Gary		<b>DATE:</b> 03/15/2024	



SINGLE-SIDE CONFIGURATION



BELLY TO BELLY CONFIGURATION



C = THICKNESS OF PC BOARD  
 SINGLE-SIDE = 1.6MM (MIN.)  
 BELLY TO BELLY = 4.4MM (MIN.)

THIS PRINT IS  
**PRELIMINARY**  
 UNQUALIFIED PRODUCT  
 CONTACT PRODUCT ENGINEERING  
 BEFORE USING THIS PRINT



TITLE: QSFP+ 1X3 Cage Assembly w/ Light Pipe & Heat Sink

DWG#: R-OR-Q3-4CGEG

SHEET: 2/4  
 REV. REF

UNIT: mm  
 SCALE: A4 1:1

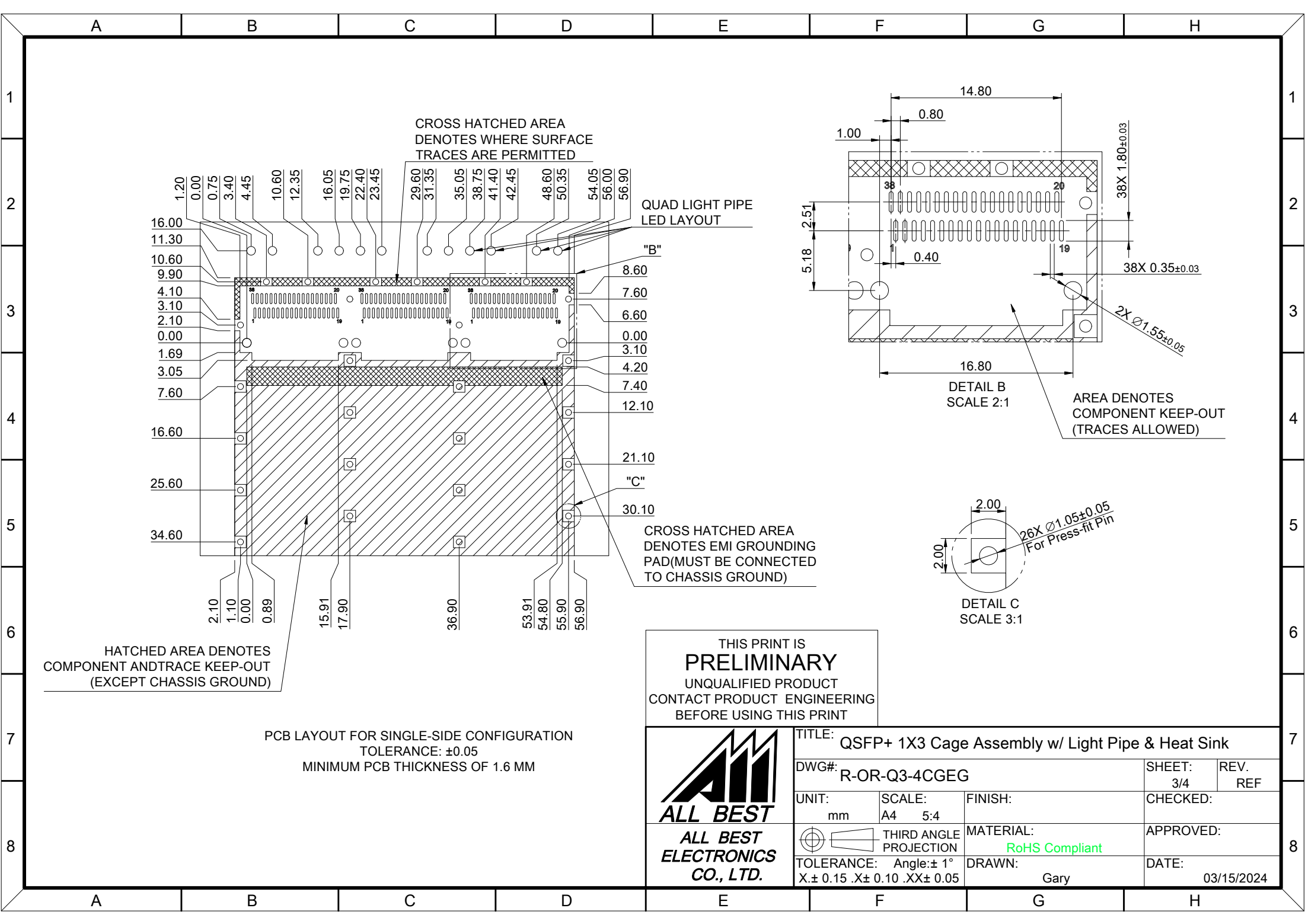
FINISH: CHECKED:

THIRD ANGLE PROJECTION

MATERIAL: RoHS Compliant  
 APPROVED:

TOLERANCE: Angle: ± 1°  
 X ± 0.15 .X ± 0.10 .XX ± 0.05

DRAWN: Gary  
 DATE: 03/15/2024



HATCHED AREA DENOTES  
COMPONENT AND TRACE KEEP-OUT  
(EXCEPT CHASSIS GROUND)

CROSS HATCHED AREA  
DENOTES WHERE SURFACE  
TRACES ARE PERMITTED

QUAD LIGHT PIPE  
LED LAYOUT

CROSS HATCHED AREA  
DENOTES EMI GROUNDING  
PAD (MUST BE CONNECTED  
TO CHASSIS GROUND)

AREA DENOTES  
COMPONENT KEEP-OUT  
(TRACES ALLOWED)

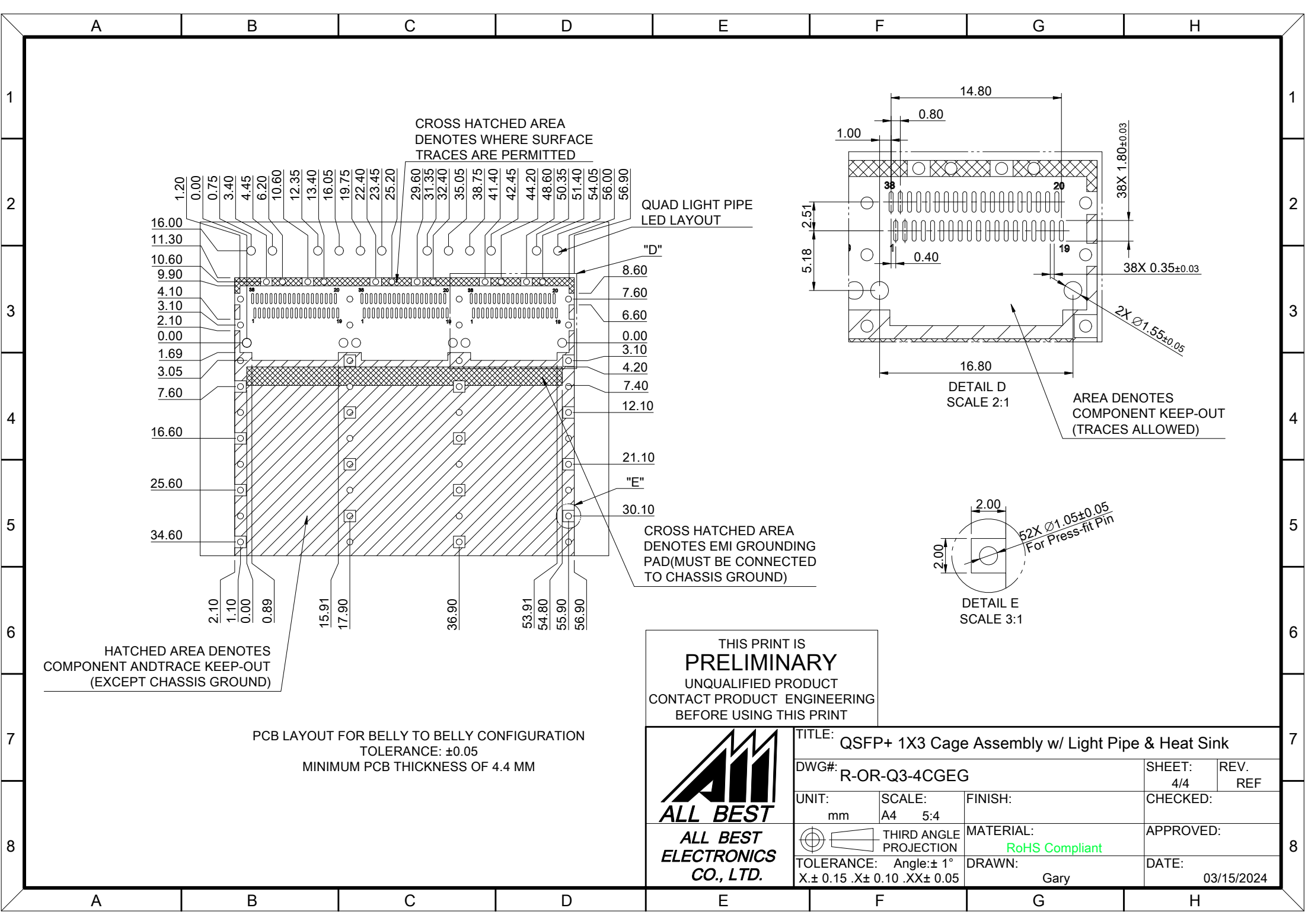
PCB LAYOUT FOR SINGLE-SIDE CONFIGURATION  
TOLERANCE: ±0.05  
MINIMUM PCB THICKNESS OF 1.6 MM

THIS PRINT IS  
**PRELIMINARY**  
UNQUALIFIED PRODUCT  
CONTACT PRODUCT ENGINEERING  
BEFORE USING THIS PRINT



TITLE: QSFP+ 1X3 Cage Assembly w/ Light Pipe & Heat Sink			
DWG#: R-OR-Q3-4CGEG		SHEET: 3/4	REV. REF
UNIT: mm	SCALE: A4 5:4	FINISH:	
THIRD ANGLE PROJECTION		MATERIAL: RoHS Compliant	
TOLERANCE: Angle: ±1° X ± 0.15 .X ± 0.10 .XX ± 0.05		DRAWN: Gary	DATE: 03/15/2024

CHECKED:  
APPROVED:  
DATE:



CROSS HATCHED AREA  
DENOTES WHERE SURFACE  
TRACES ARE PERMITTED

QUAD LIGHT PIPE  
LED LAYOUT

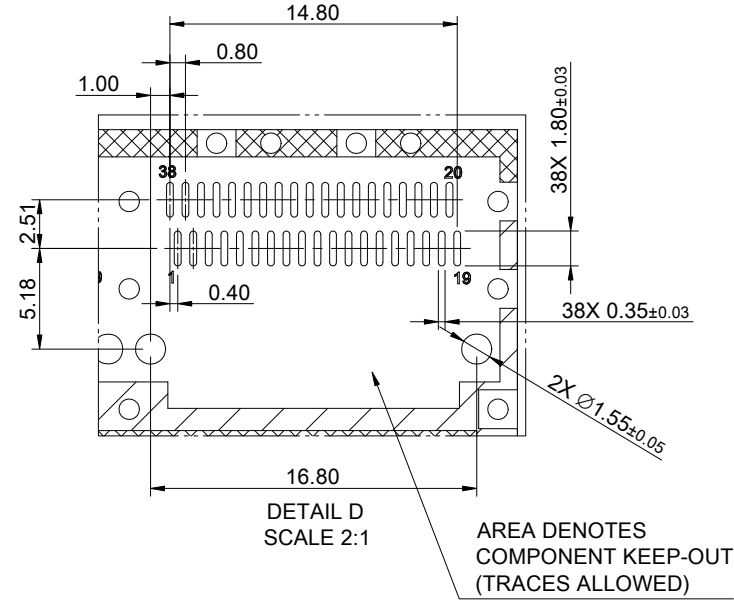
"D"

"E"

CROSS HATCHED AREA  
DENOTES EMI GROUNDING  
PAD (MUST BE CONNECTED  
TO CHASSIS GROUND)

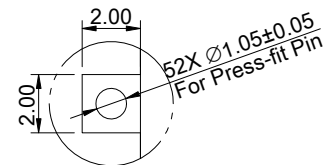
HATCHED AREA DENOTES  
COMPONENT AND TRACE  
KEEP-OUT  
(EXCEPT CHASSIS GROUND)

PCB LAYOUT FOR BELLY TO BELLY CONFIGURATION  
TOLERANCE:  $\pm 0.05$   
MINIMUM PCB THICKNESS OF 4.4 MM



DETAIL D  
SCALE 2:1

AREA DENOTES  
COMPONENT KEEP-OUT  
(TRACES ALLOWED)



DETAIL E  
SCALE 3:1

THIS PRINT IS  
**PRELIMINARY**  
UNQUALIFIED PRODUCT  
CONTACT PRODUCT ENGINEERING  
BEFORE USING THIS PRINT



TITLE: QSFP+ 1X3 Cage Assembly w/ Light Pipe & Heat Sink			
DWG#: R-OR-Q3-4CGEG		SHEET: 4/4	REV. REF
UNIT: mm	SCALE: A4 5:4	FINISH:	CHECKED:
THIRD ANGLE PROJECTION		MATERIAL: RoHS Compliant	APPROVED:
TOLERANCE: Angle: $\pm 1^\circ$ X: $\pm 0.15$ .X: $\pm 0.10$ .XX: $\pm 0.05$		DRAWN: Gary	DATE: 03/15/2024