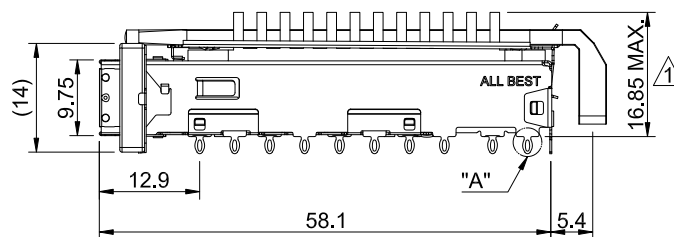
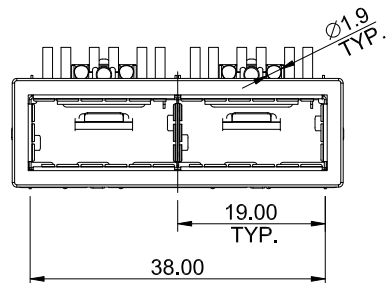
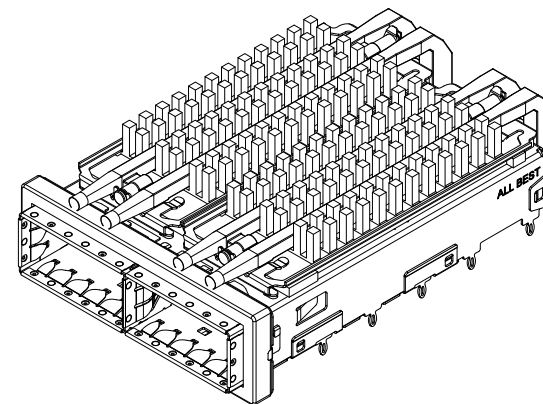


DETAIL A  
SCALE 5:1

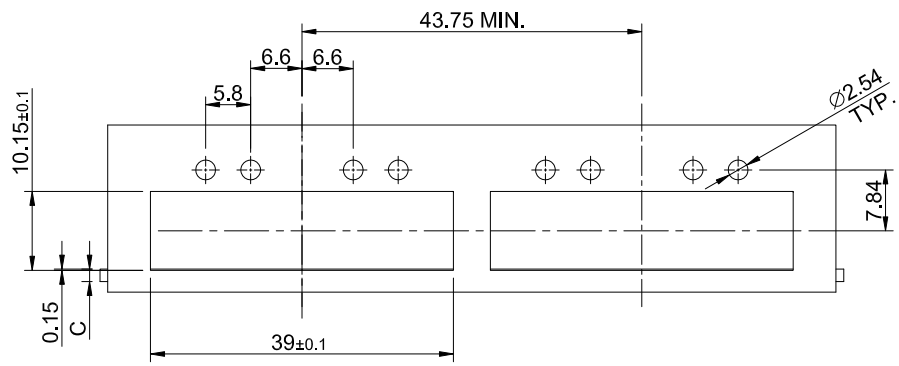


MATERIAL  
 CAGE: NICKEL SILVER  
 HEAT SINK: ALUMINUM  
 HEAT SINK CLIP: STAINLESS STEEL  
 HEAT SPRING: STAINLESS STEEL  
 EMI GASKET FLANGE: STAINLESS STEEL  
 EMI GASKET: CONDUCTIVE ELASTOMER  
 LIGHT PIPE: PC

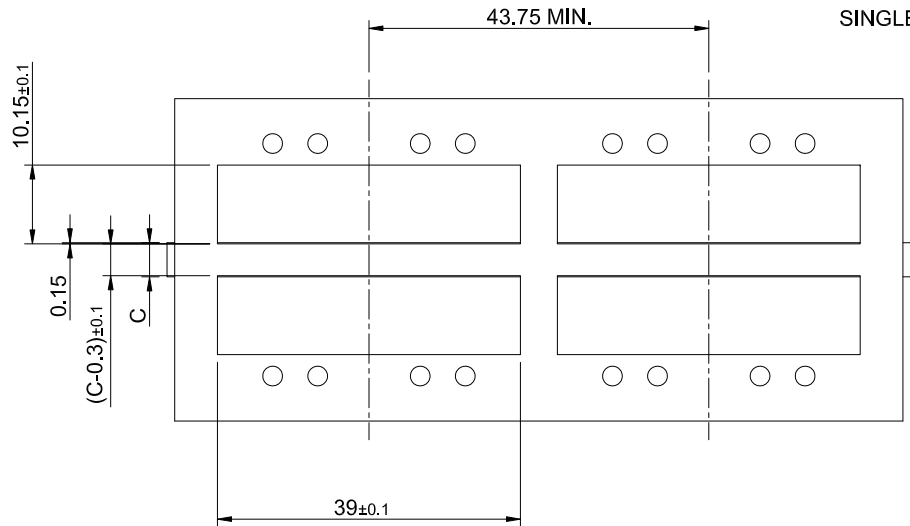
FINISH  
 HEAT SINK: ANODE PROCESS

▲ DIMENSION APPLIES WITH MODULE INSERTED IN CAGE

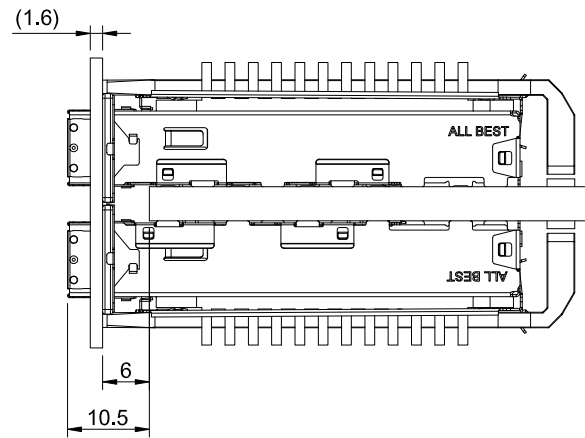
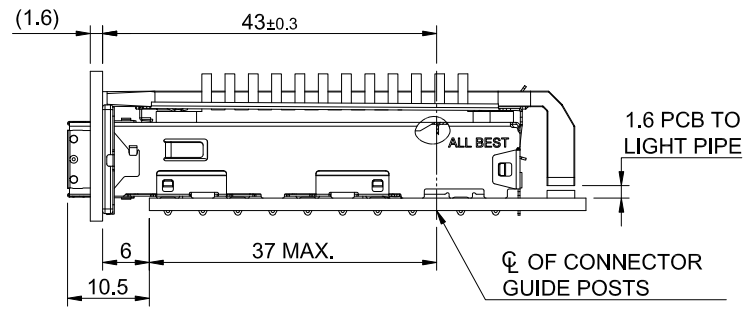
 <b>ALL BEST</b> ALL BEST ELECTRONICS CO., LTD.	TITLE: QSFP+ 1X2 Cage Assembly w/ Light Pipe & Heat Sink		SHEET: 1/4		REV. C
	DWG#: R-OR-Q2-4CGE4		CHECKED: Gary Yang		APPROVED: George Yang
	UNIT: mm	SCALE: A4 1:1	FINISH: RoHS Compliant	DATE: 07/30/2018	
	TOLERANCE: Angle: ± 1° X.± 0.25 .X± 0.20 .XX± 0.15		THIRD ANGLE PROJECTION	DRAWN: Boris	



SINGLE-SIDE CONFIGURATION



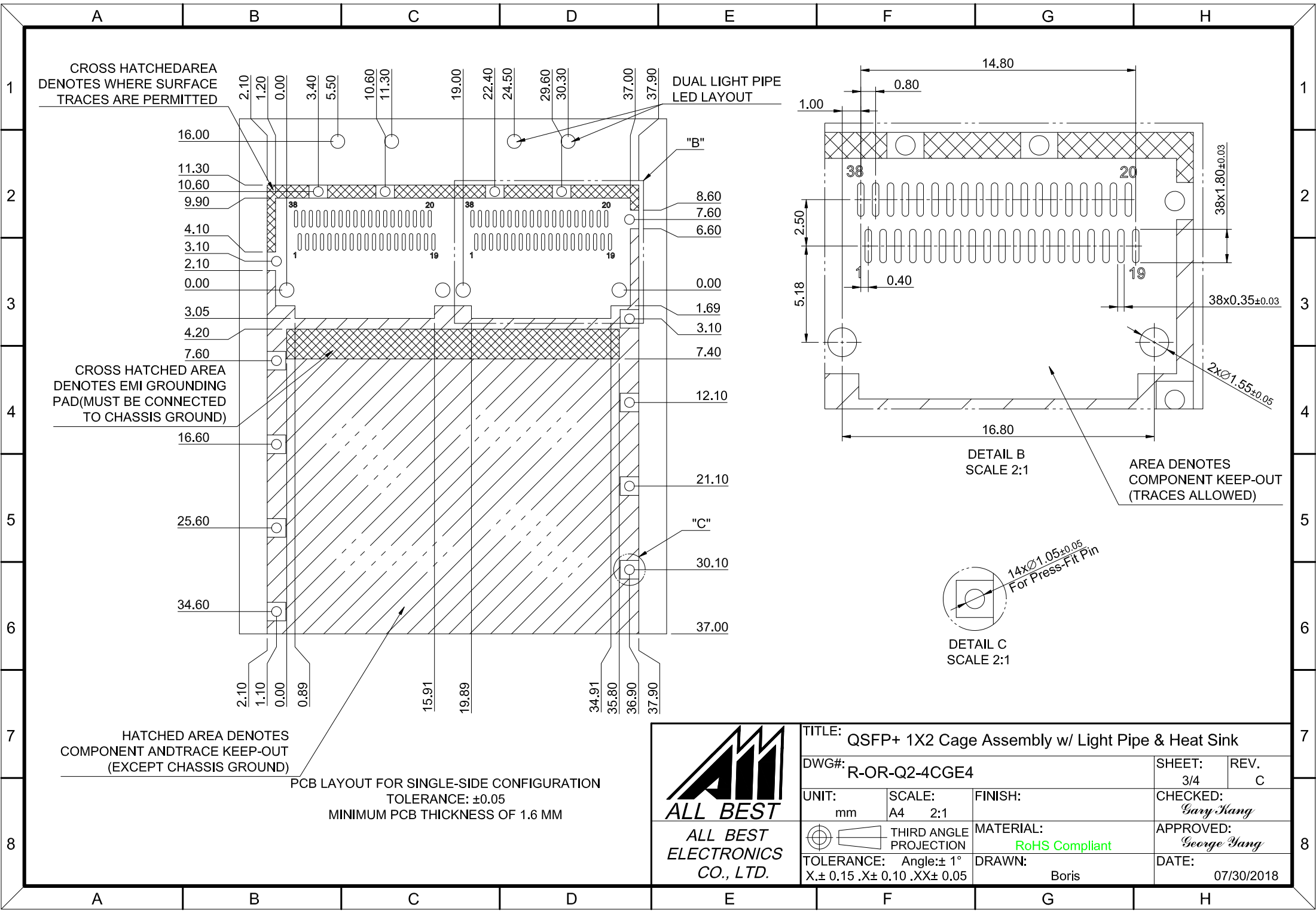
BELLY TO BELLY CONFIGURATION



C = THICKNESS OF PC BOARD  
 SINGLE-SIDE = 1.6MM (MIN.)  
 BELLY TO BELLY = 4.4MM (MIN.)



TITLE: QSFP+ 1X2 Cage Assembly w/ Light Pipe & Heat Sink			
DWG#: R-OR-Q2-4CGE4		SHEET: 2/4	REV. C
UNIT: mm	SCALE: A4 1:1	FINISH:	CHECKED: Gary Heng
THIRD ANGLE PROJECTION		MATERIAL: RoHS Compliant	APPROVED: George Yang
TOLERANCE: Angle: ± 1° X.± 0.15 .X± 0.10 .XX± 0.05		DRAWN: Boris	DATE: 07/30/2018



CROSS HATCHED AREA DENOTES WHERE SURFACE TRACES ARE PERMITTED

DUAL LIGHT PIPE LED LAYOUT

CROSS HATCHED AREA DENOTES EMI GROUNDING PAD (MUST BE CONNECTED TO CHASSIS GROUND)

DETAIL B SCALE 2:1

AREA DENOTES COMPONENT KEEP-OUT (TRACES ALLOWED)

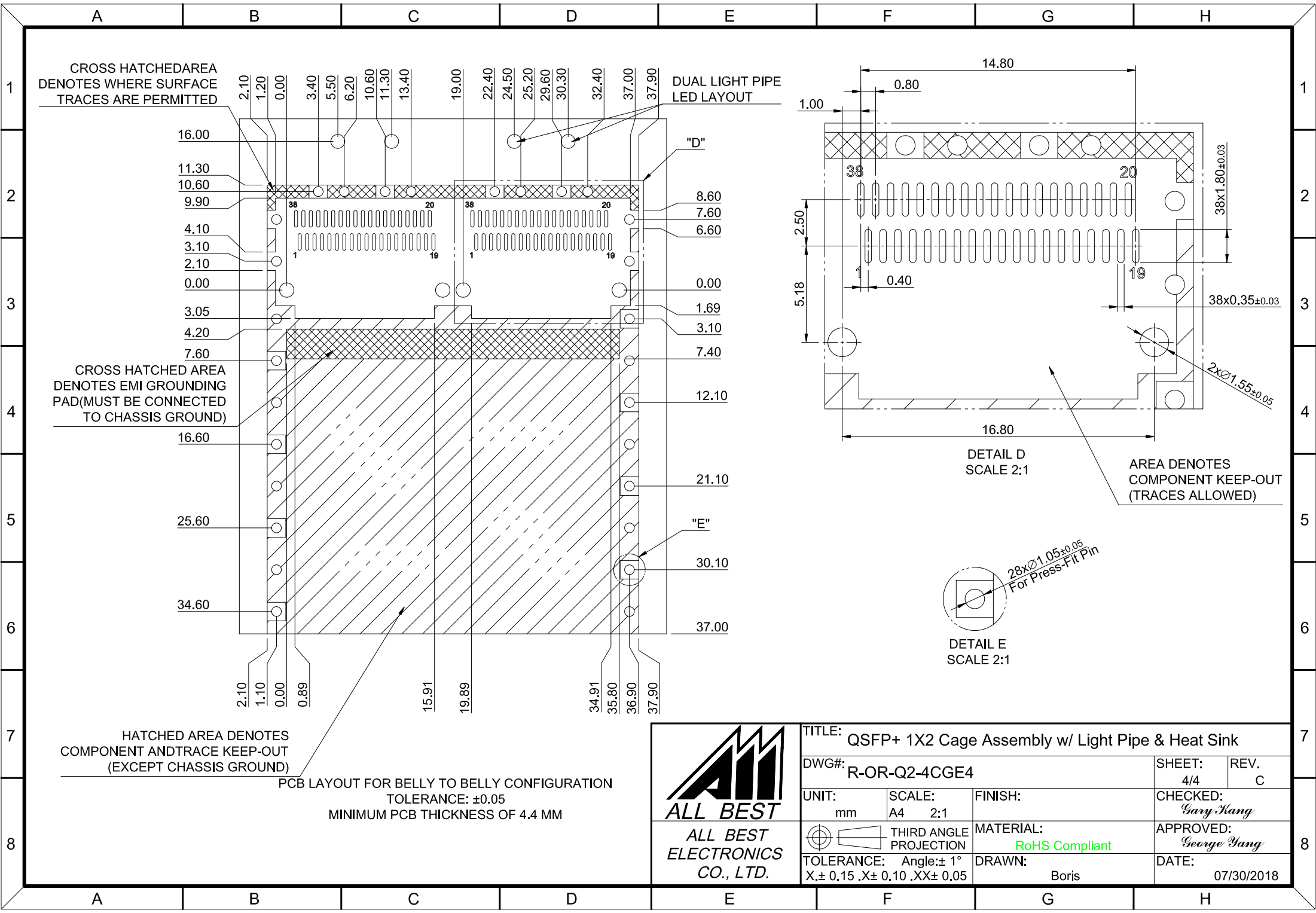
DETAIL C SCALE 2:1

HATCHED AREA DENOTES COMPONENT AND TRACE KEEP-OUT (EXCEPT CHASSIS GROUND)

PCB LAYOUT FOR SINGLE-SIDE CONFIGURATION  
TOLERANCE: ±0.05  
MINIMUM PCB THICKNESS OF 1.6 MM



TITLE: QSFP+ 1X2 Cage Assembly w/ Light Pipe & Heat Sink			
DWG#: R-OR-Q2-4CGE4		SHEET: 3/4	REV. C
UNIT: mm	SCALE: A4 2:1	FINISH:	CHECKED: Gary Yang
THIRD ANGLE PROJECTION		MATERIAL: RoHS Compliant	APPROVED: George Yang
TOLERANCE: Angle: ±1° X ± 0.15 .X ± 0.10 .XX ± 0.05		DRAWN: Boris	DATE: 07/30/2018



CROSS HATCHED AREA DENOTES WHERE SURFACE TRACES ARE PERMITTED

DUAL LIGHT PIPE LED LAYOUT

CROSS HATCHED AREA DENOTES EMI GROUNDING PAD (MUST BE CONNECTED TO CHASSIS GROUND)

DETAIL D SCALE 2:1

AREA DENOTES COMPONENT KEEP-OUT (TRACES ALLOWED)

DETAIL E SCALE 2:1

HATCHED AREA DENOTES COMPONENT AND TRACE KEEP-OUT (EXCEPT CHASSIS GROUND)

PCB LAYOUT FOR BELLY TO BELLY CONFIGURATION  
TOLERANCE: ±0.05  
MINIMUM PCB THICKNESS OF 4.4 MM



ALL BEST ELECTRONICS CO., LTD.

TITLE: QSFP+ 1X2 Cage Assembly w/ Light Pipe & Heat Sink			
DWG#: R-OR-Q2-4CGE4		SHEET: 4/4	REV. C
UNIT: mm	SCALE: A4 2:1	FINISH:	CHECKED: Gary Yang
THIRD ANGLE PROJECTION		MATERIAL: RoHS Compliant	APPROVED: George Yang
TOLERANCE: Angle: ±1° X: ±0.15 .X: ±0.10 .XX: ±0.05		DRAWN: Boris	DATE: 07/30/2018

