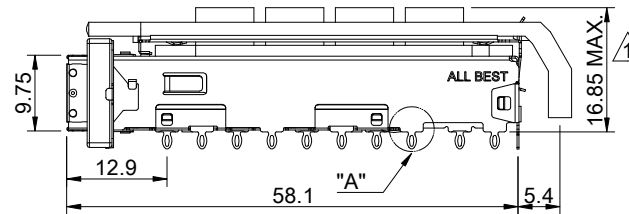
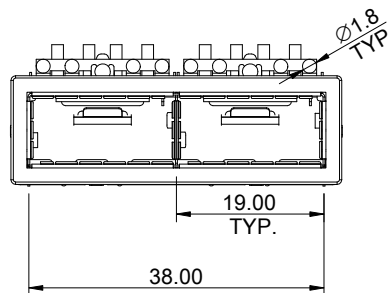
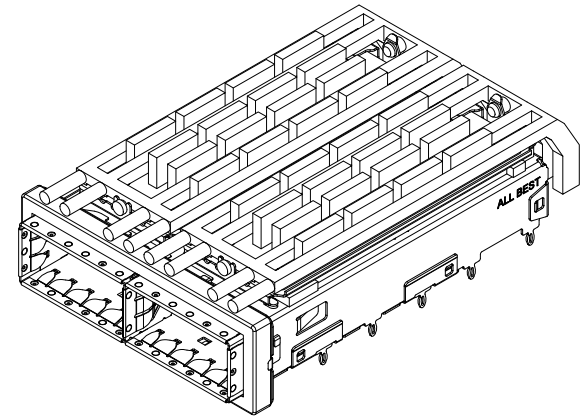


DETAIL A
SCALE 5:1



MATERIAL
 CAGE: NICKEL SILVER
 HEAT SINK: ALUMINUM
 HEAT SINK CLIP: STAINLESS STEEL
 EMI SPRING: STAINLESS STEEL
 EMI GASKET FLANGE: STAINLESS STEEL
 EMI GASKET: CONDUCTIVE ELASTOMER
 LIGHT PIPE: PC

FINISH
 HEAT SINK: ANODE PROCESS

NOTE
 ▲ DIMENSION APPLIES WITH MODULE INSERTED IN CAGE

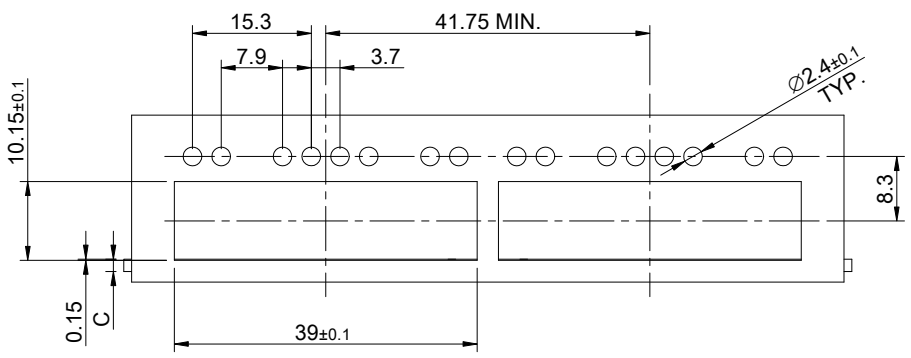
THIS PRINT IS
PRELIMINARY
 UNQUALIFIED PRODUCT
 CONTACT PRODUCT ENGINEERING
 BEFORE USING THIS PRINT



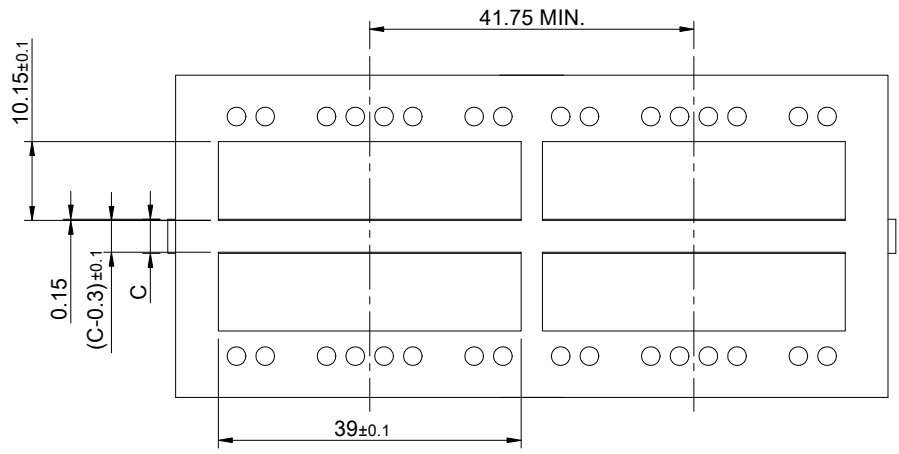
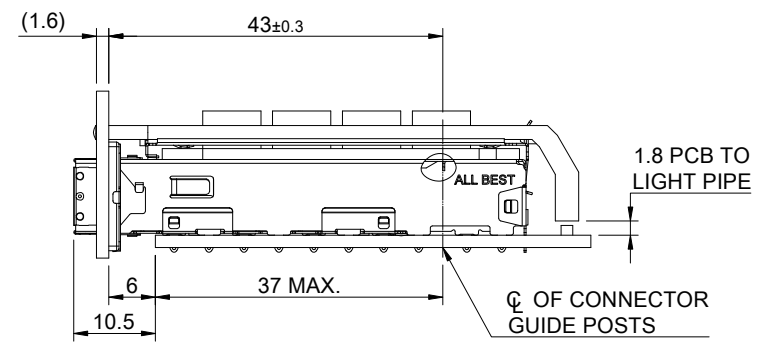
| | | | |
|--|---------------|--------------------------|------------------|
| TITLE: QSFP+ 1X2 Cage Assembly w/ Light Pipe & Heat Sink | | | |
| DWG#: R-OR-Q2-4CGEH | | SHEET: 1/4 | REV. REF |
| UNIT: mm | SCALE: A4 1:1 | CHECKED: | |
| TOLERANCE: Angle: ± 1° X ± 0.25 .X ± 0.20 .XX ± 0.15 | | MATERIAL: RoHS Compliant | APPROVED: |
| THIRD ANGLE PROJECTION | | DRAWN: Gary | DATE: 03/15/2024 |

A B C D E F G H

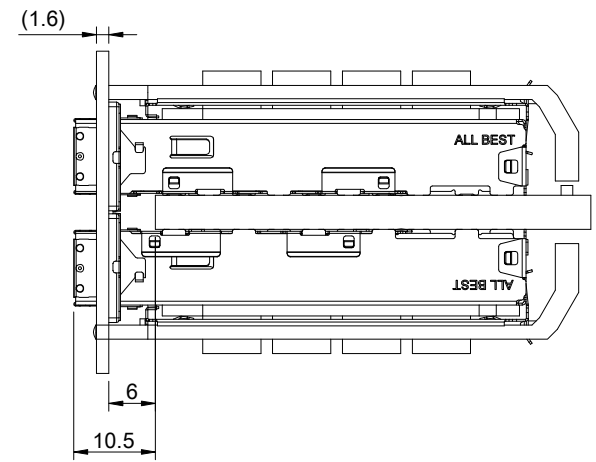
1
2
3
4
5
6
7
8



SINGLE-SIDE CONFIGURATION



BELLY TO BELLY CONFIGURATION



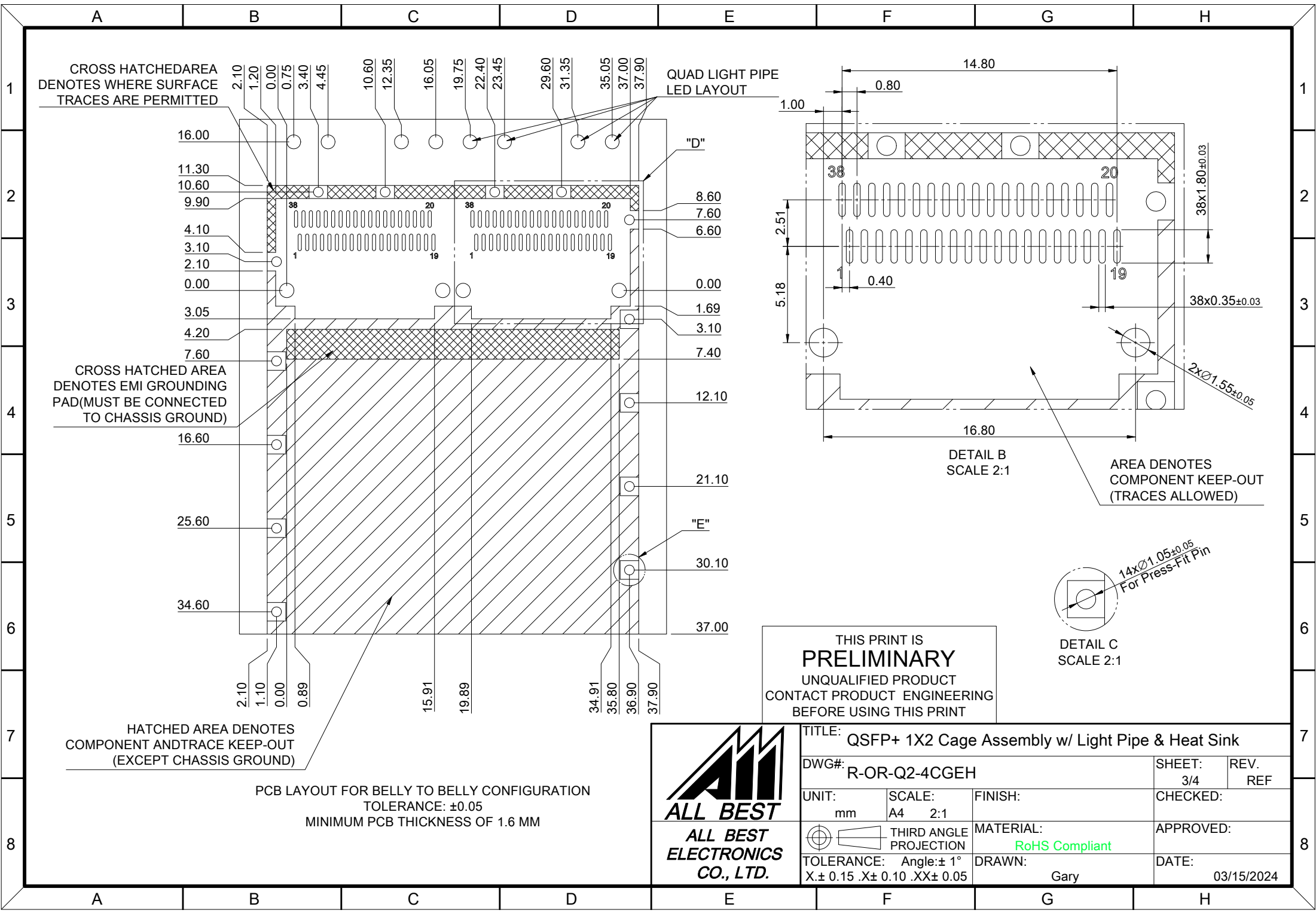
C = THICKNESS OF PC BOARD
 SINGLE-SIDE = 1.6MM (MIN.)
 BELLY TO BELLY = 4.4MM (MIN.)

THIS PRINT IS
PRELIMINARY
 UNQUALIFIED PRODUCT
 CONTACT PRODUCT ENGINEERING
 BEFORE USING THIS PRINT



| | | | |
|--|---------------|--------------------------|------------------|
| TITLE: QSFP+ 1X2 Cage Assembly w/ Light Pipe & Heat Sink | | | |
| DWG#: R-OR-Q2-4CGEH | | SHEET: 2/4 | REV. REF |
| UNIT: mm | SCALE: A4 1:1 | FINISH: | CHECKED: |
| THIRD ANGLE PROJECTION | | MATERIAL: RoHS Compliant | APPROVED: |
| TOLERANCE: Angle: ± 1° | | DRAWN: Gary | DATE: 03/15/2024 |
| X.± 0.15 .X± 0.10 .XX± 0.05 | | | |

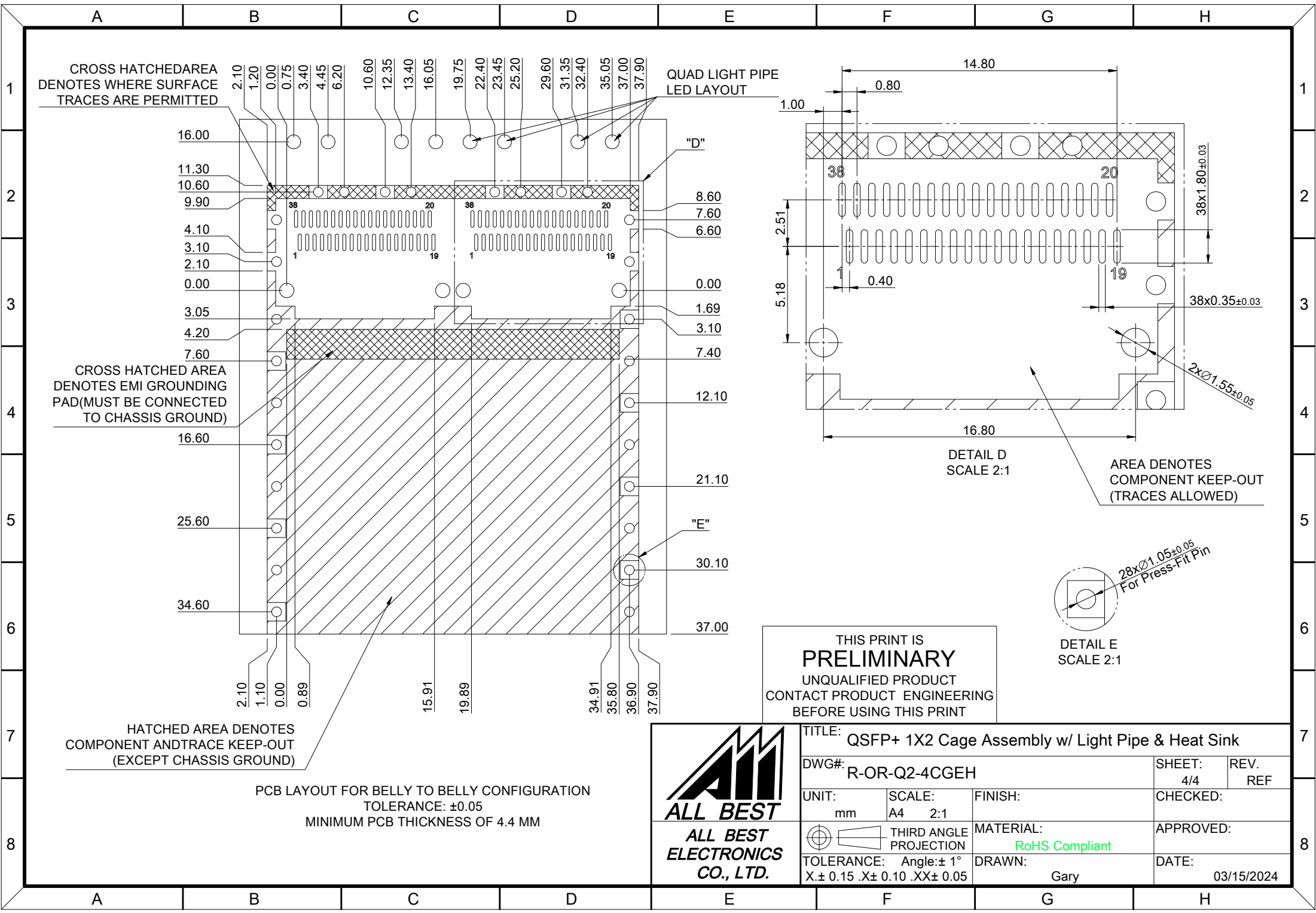
A B C D E F G H



THIS PRINT IS
PRELIMINARY
UNQUALIFIED PRODUCT
CONTACT PRODUCT ENGINEERING
BEFORE USING THIS PRINT



| | | | |
|--|---------------|--------------------------|------------------|
| TITLE: QSFP+ 1X2 Cage Assembly w/ Light Pipe & Heat Sink | | | |
| DWG#: R-OR-Q2-4CGEH | | SHEET: 3/4 | REV. REF |
| UNIT: mm | SCALE: A4 2:1 | FINISH: | CHECKED: |
| THIRD ANGLE PROJECTION | | MATERIAL: RoHS Compliant | APPROVED: |
| TOLERANCE: Angle: ± 1° X ± 0.15 .X ± 0.10 .XX ± 0.05 | | DRAWN: Gary | DATE: 03/15/2024 |



THIS PRINT IS
PRELIMINARY
UNQUALIFIED PRODUCT
CONTACT PRODUCT ENGINEERING
BEFORE USING THIS PRINT



| | | | |
|--|---------------|--------------------------|-----------|
| TITLE: QSFP+ 1X2 Cage Assembly w/ Light Pipe & Heat Sink | | | |
| DWG#: R-OR-Q2-4CGEH | | SHEET: 4/4 | REV. REF |
| UNIT: mm | SCALE: A4 2:1 | CHECKED: | |
| TOLERANCE: Angle: ± 1° X ± 0.15 .X ± 0.10 .XX ± 0.05 | | MATERIAL: RoHS Compliant | APPROVED: |
| DRAWN: Gary | | DATE: 03/15/2024 | |

