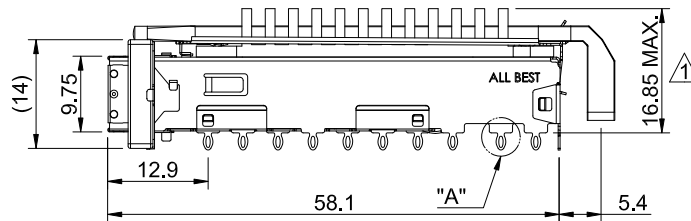
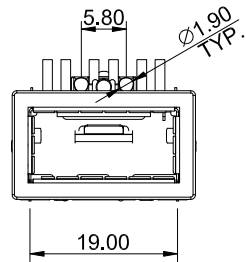
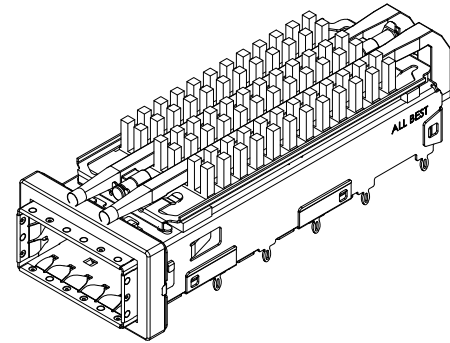


DETAIL A
SCALE 5 : 1

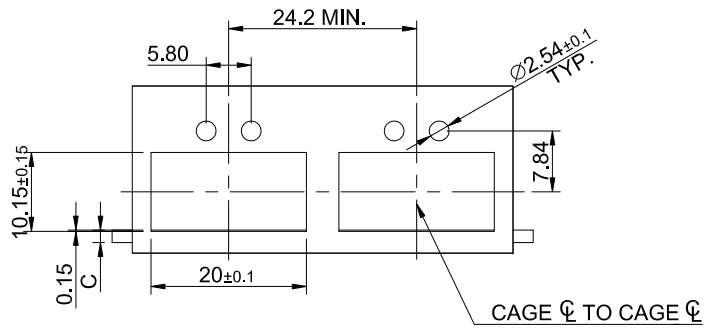


MATERIAL
 CAGE: NICKEL SILVER
 HEAT SINK: ALUMINUM
 HEAT SINK CLIP: STAINLESS STEEL
 EMI SPRING: STAINLESS STEEL
 EMI GASKET FLANGE: STAINLESS STEEL
 EMI GASKET: CONDUCTIVE ELASTOMER
 FRLIGHT PIPE: PC

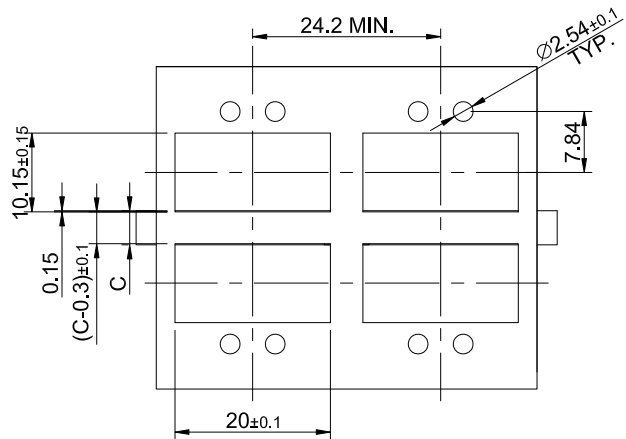
FINISH
 HEAT SINK: ANODE PROCESS

NOTE
 ▲ DIMENSION APPLIES WITH MODULE INSERTED IN CAGE

	TITLE: QSFP+ 1X1 Cage Assembly w/ Light Pipe & Heat Sink		
	DWG#: R-OR-Q1-4CGE4		SHEET: 1/4
	UNIT: mm	SCALE: A4 1:1	REV. C
	THIRD ANGLE PROJECTION		CHECKED: Gary Kang
TOLERANCE: Angle: ± 1°		MATERIAL: RoHS Compliant	APPROVED: George Yang
X.± 0.25 .X± 0.20 .XX± 0.15		DRAWN: Boris	DATE: 10/16/2017

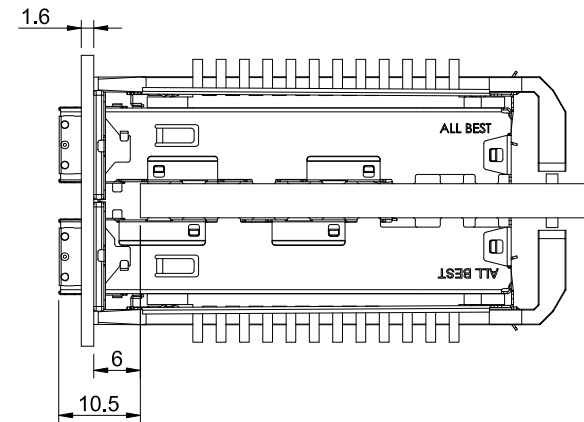
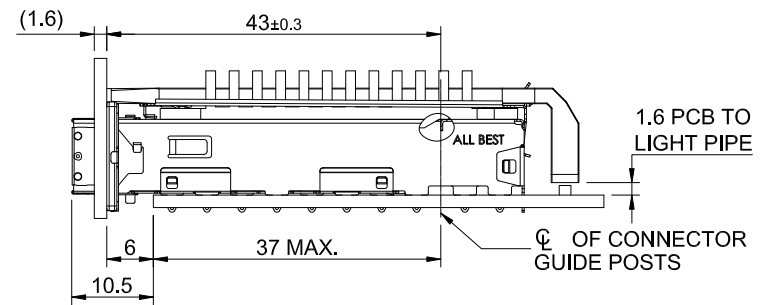



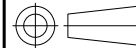
ONE SIDED CONFIGURATION



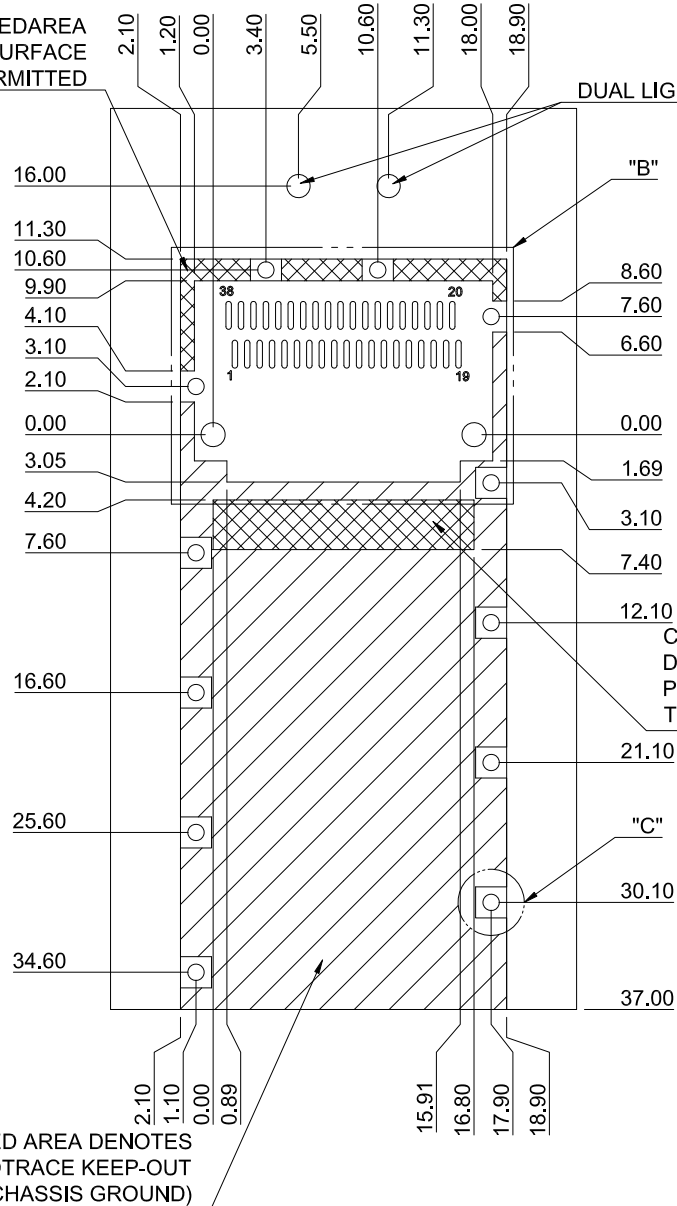
BELLY TO BELLY CONFIGURATION

C=THICKNESS OF PC BOARD
 SINGLE SIDED= 1.6MM(MIN.)
 DOUBLE SIDE= 4.5MM(MIN.)



 ALL BEST ALL BEST ELECTRONICS CO., LTD.	TITLE: QSFP+ 1X1 Cage Assembly w/ Light Pipe & Heat Sink		SHEET: 2/4	REV. C	
	DWG#: R-OR-Q1-4CGE4		CHECKED: Gary Yang		
	UNIT: mm	SCALE: A4 1:1	FINISH: RoHS Compliant	APPROVED: George Yang	
	TOLERANCE: X± 0.15 .X± 0.10 .XX± 0.05		MATERIAL: RoHS Compliant	DATE: 10/16/2017	
 THIRD ANGLE PROJECTION TOLERANCE: Angle: ± 1° X± 0.15 .X± 0.10 .XX± 0.05		DRAWN: Boris			

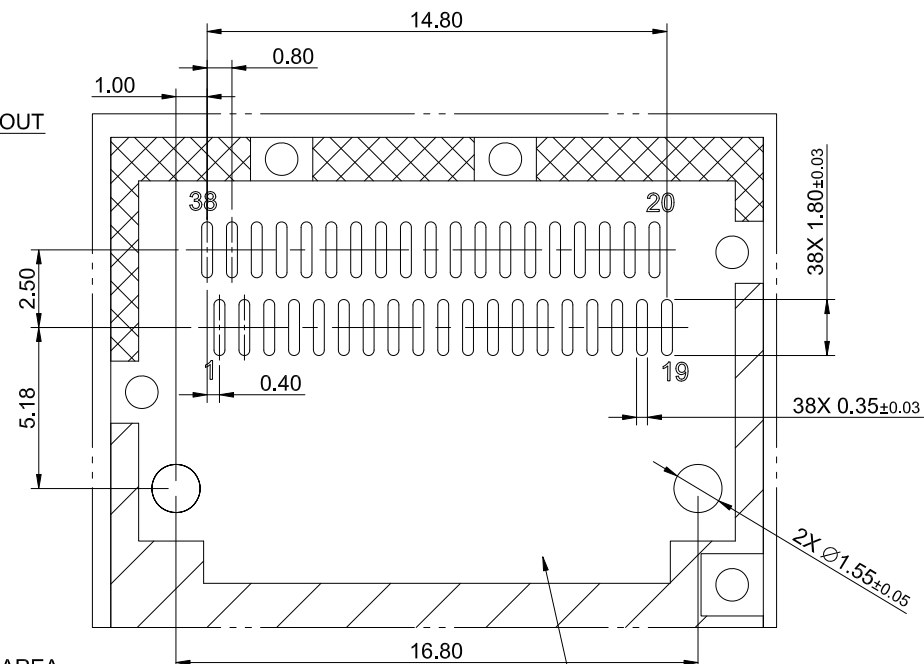
CROSS HATCHED AREA DENOTES WHERE SURFACE TRACES ARE PERMITTED



SINGLE SIDE PCB LAYOUT
TOLERANCE: ± 0.05
MINIMUM PCB THICKNESS OF 1.6 MM

HATCHED AREA DENOTES COMPONENT AND TRACE KEEP-OUT (EXCEPT CHASSIS GROUND)

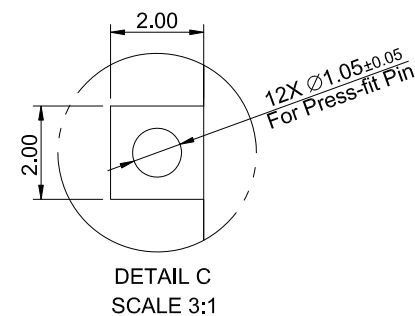
DUAL LIGHT PIPE LED LAYOUT



DETAIL B
SCALE 2:1

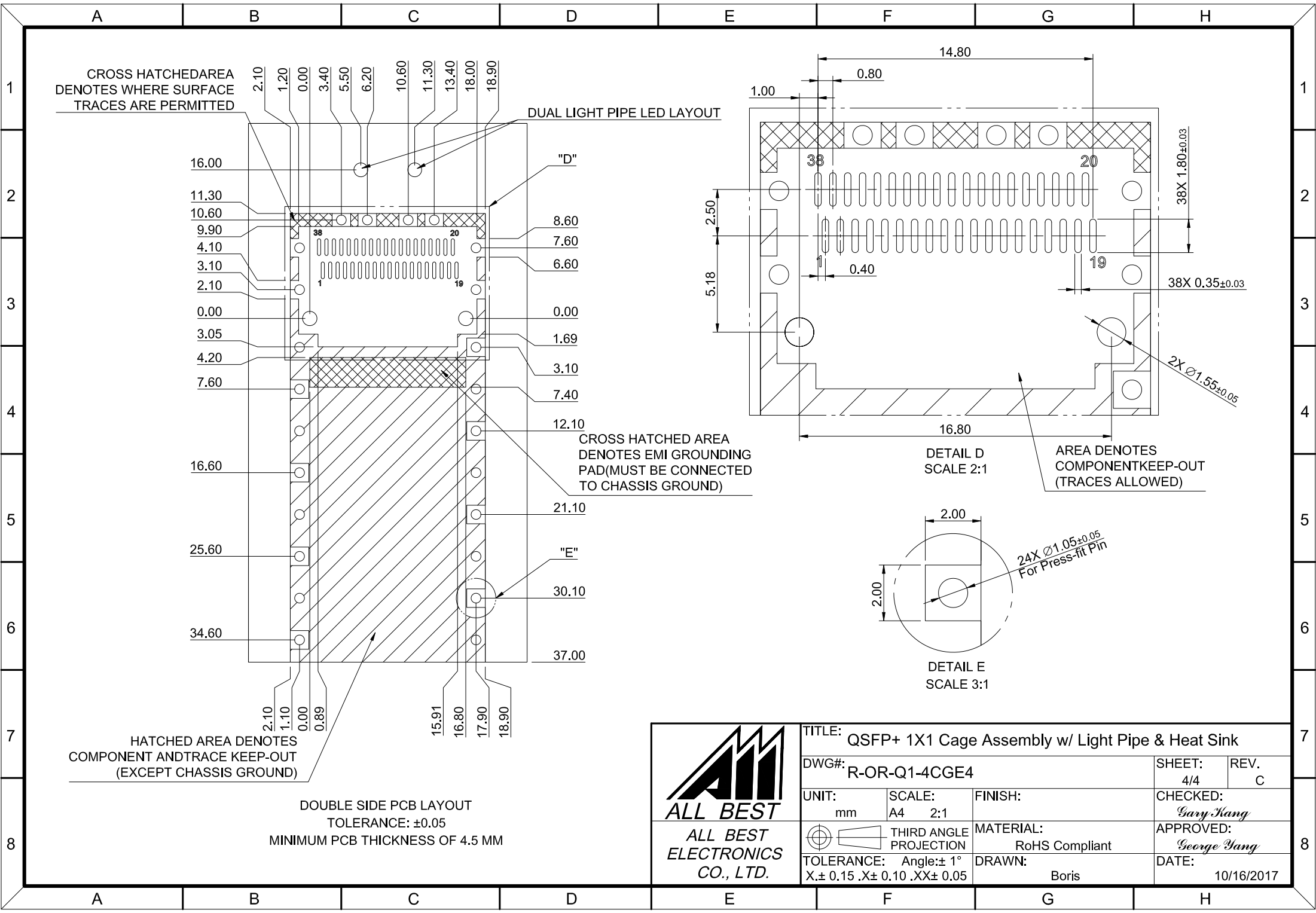
AREA DENOTES COMPONENT KEEP-OUT (TRACES ALLOWED)

CROSS HATCHED AREA DENOTES EMI GROUNDING PAD (MUST BE CONNECTED TO CHASSIS GROUND)



DETAIL C
SCALE 3:1

 ALL BEST ALL BEST ELECTRONICS CO., LTD.	TITLE: QSFP+ 1X1 Cage Assembly w/ Light Pipe & Heat Sink		SHEET: 3/4	REV. C
	DWG#: R-OR-Q1-4CGE4		CHECKED: Gary Kang	
	UNIT: mm	SCALE: A4 2:1	FINISH: RoHS Compliant	APPROVED: George Yang
	TOLERANCE: $X \pm 0.15$, $.X \pm 0.10$, $.XX \pm 0.05$		MATERIAL: RoHS Compliant	DATE: 10/16/2017
THIRD ANGLE PROJECTION		DRAWN: Boris		



CROSS HATCHED AREA DENOTES WHERE SURFACE TRACES ARE PERMITTED

DUAL LIGHT PIPE LED LAYOUT

CROSS HATCHED AREA DENOTES EMI GROUNDING PAD (MUST BE CONNECTED TO CHASSIS GROUND)

DETAIL D SCALE 2:1

AREA DENOTES COMPONENT KEEP-OUT (TRACES ALLOWED)

DETAIL E SCALE 3:1

HATCHED AREA DENOTES COMPONENT AND TRACE KEEP-OUT (EXCEPT CHASSIS GROUND)

DOUBLE SIDE PCB LAYOUT
TOLERANCE: ±0.05
MINIMUM PCB THICKNESS OF 4.5 MM

<p>ALL BEST ELECTRONICS CO., LTD.</p>	TITLE: QSFP+ 1X1 Cage Assembly w/ Light Pipe & Heat Sink		SHEET: 4/4	REV. C
	DWG#: R-OR-Q1-4CGE4		CHECKED: Gary Kang	
	UNIT: mm	SCALE: A4 2:1	FINISH:	APPROVED: George Yang
	TOLERANCE: X±0.15 .X±0.10 .XX±0.05		MATERIAL: RoHS Compliant	DATE: 10/16/2017
<p>THIRD ANGLE PROJECTION</p>		DRAWN: Boris		