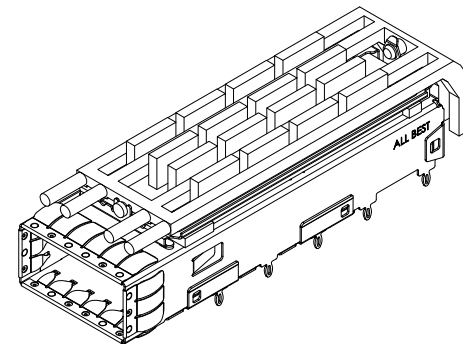


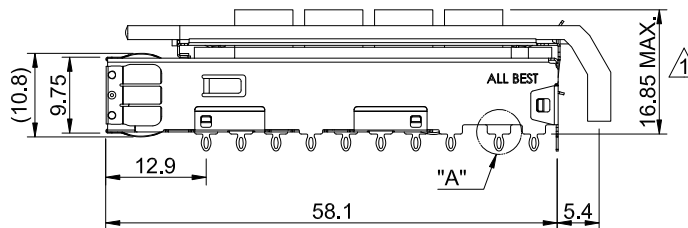
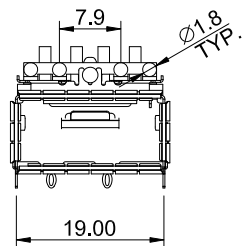
DETAIL A
SCALE 5:1




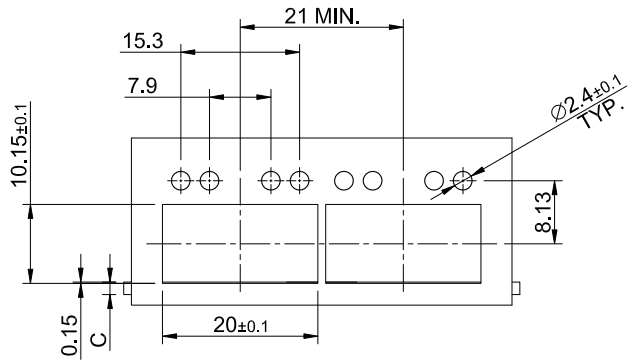
MATERIAL
 CAGE: NICKEL SILVER
 HEAT SINK: ALUMINUM
 HEAT SINK CLIP: STAINLESS STEEL
 EMI SPRING: STAINLESS STEEL
 LIGHT PIPE: PC

FINISH
 HEAT SINK: ANODE PROCESS

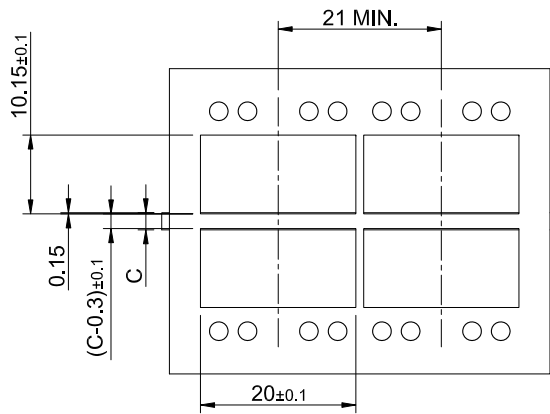
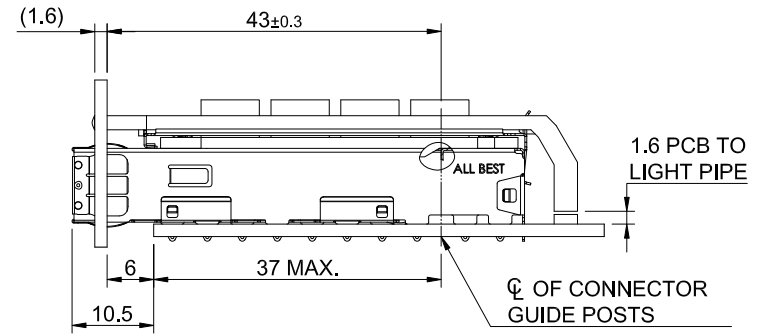
NOTE
 ▲ DIMENSION APPLIES WITH MODULE INSERTED IN CAGE



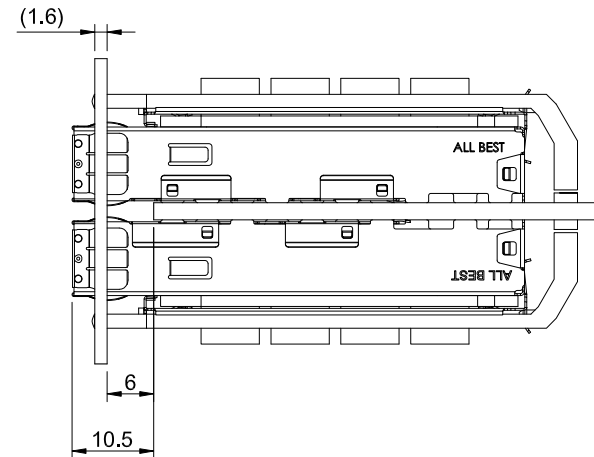
| | | | | | |
|--|--|---------------|------------------------|--------------------------|-----------------------|
|  ALL BEST ALL BEST ELECTRONICS CO., LTD. | TITLE: QSFP+ 1X1 Cage Assembly w/ Light Pipe & Heat Sink | | SHEET: 1/4 | | REV. B |
| | DWG#: R-OR-Q1-4CMEH | | CHECKED: Gary Kang | | APPROVED: George Yang |
| | UNIT: mm | SCALE: A4 1:1 | FINISH: | MATERIAL: RoHS Compliant | |
| | TOLERANCE: X.± 0.25 .X± 0.20 .XX± 0.15 | | THIRD ANGLE PROJECTION | DRAWN: Boris | DATE: 04/13/2018 |




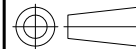
SINGLE-SIDE CONFIGURATION

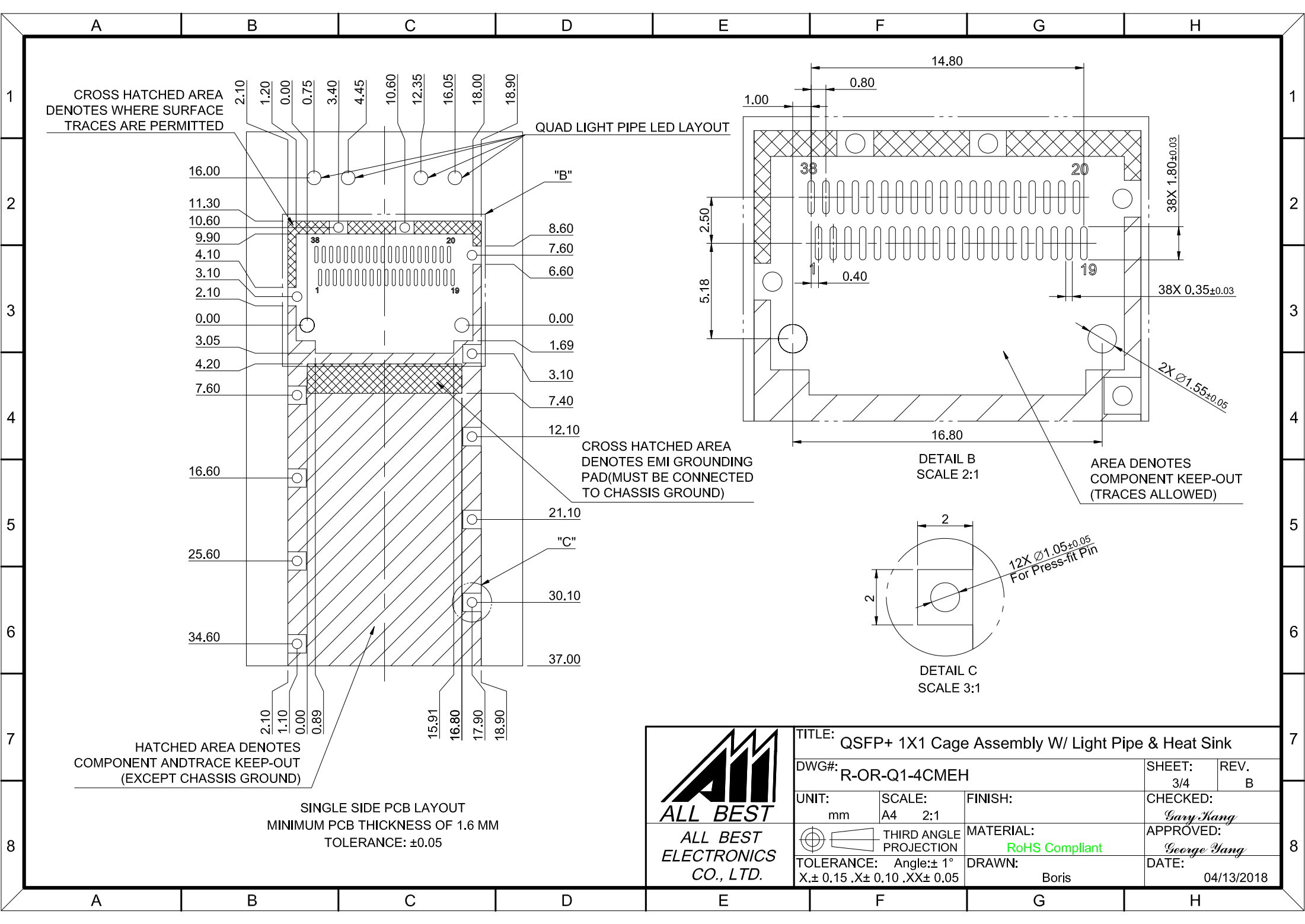


BELLY TO BELLY CONFIGURATION



C = THICKNESS OF PC BOARD
 SINGLE-SIDE = 1.6MM (MIN.)
 BELLY TO BELLY = 2.2MM (MIN.)

| | | | | | | |
|--|---|---------------------------------|---------------------------|------------------------------|---------------|--|
|  ALL BEST ELECTRONICS CO., LTD. | TITLE: QSFP+ 1X1 Cage Assembly W/ Light Pipe & Heat Sink | | SHEET: 2/4 | | REV. B | |
| | DWG#: R-OR-Q1-4CMEH | | CHECKED: Gary Kang | | | |
| UNIT: mm | SCALE: A4 1:1 | FINISH: | | APPROVED: George Kang | | |
|  THIRD ANGLE PROJECTION | | MATERIAL: RoHS Compliant | | DATE: 04/13/2018 | | |
| TOLERANCE: X± 0.15 .X± 0.10 .XX± 0.05 | | DRAWN: Boris | | | | |



CROSS HATCHED AREA DENOTES WHERE SURFACE TRACES ARE PERMITTED

QUAD LIGHT PIPE LED LAYOUT

CROSS HATCHED AREA DENOTES EMI GROUNDING PAD (MUST BE CONNECTED TO CHASSIS GROUND)


DETAIL B SCALE 2:1

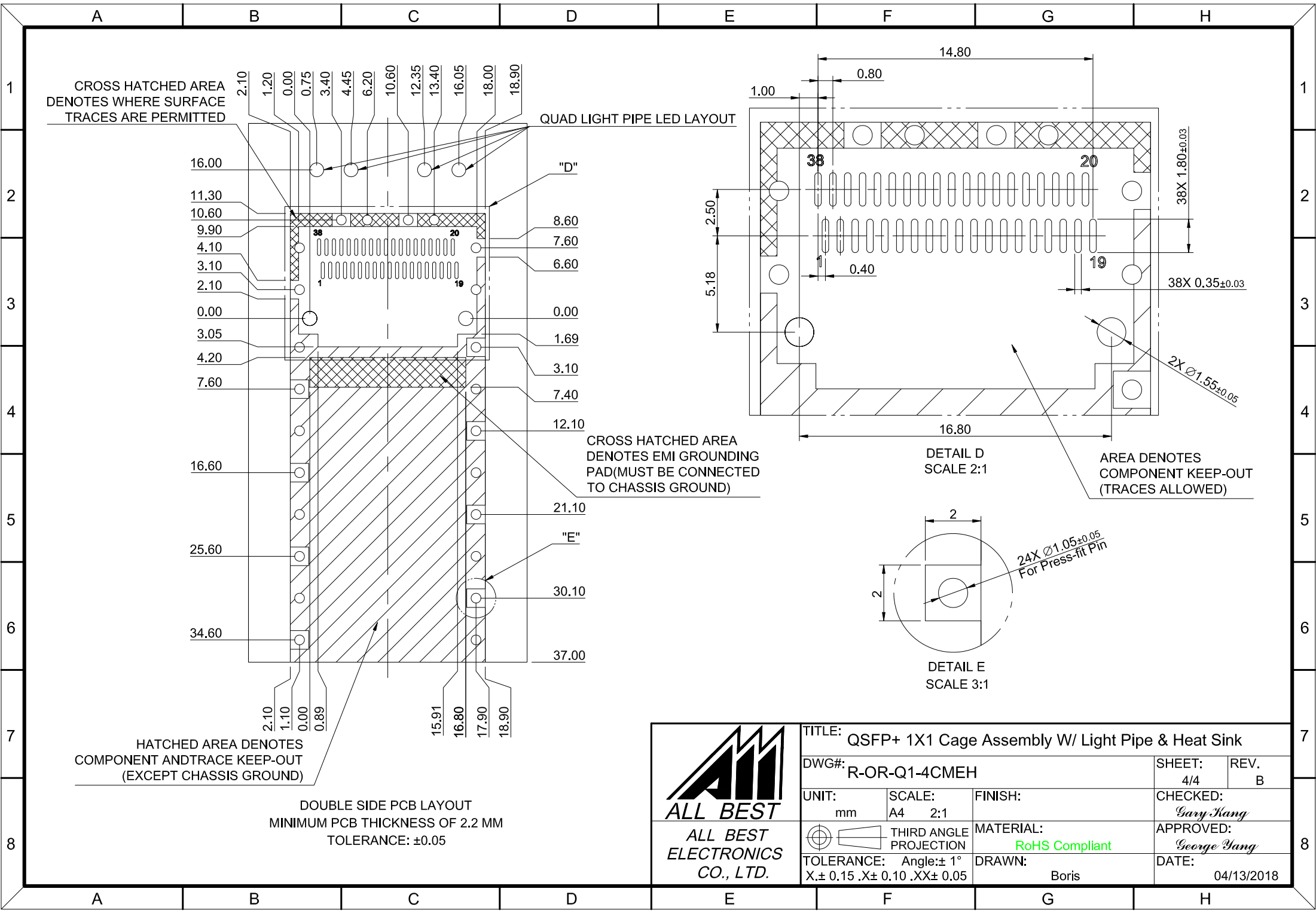
AREA DENOTES COMPONENT KEEP-OUT (TRACES ALLOWED)

DETAIL C SCALE 3:1

HATCHED AREA DENOTES COMPONENT AND TRACE KEEP-OUT (EXCEPT CHASSIS GROUND)

SINGLE SIDE PCB LAYOUT
MINIMUM PCB THICKNESS OF 1.6 MM
TOLERANCE: ±0.05

| | | | | | | | |
|--|--|---------------|------------------------|--------------------------|--|-----------------------|--|
|  ALL BEST ALL BEST ELECTRONICS CO., LTD. | TITLE: QSFP+ 1X1 Cage Assembly W/ Light Pipe & Heat Sink | | | SHEET: 3/4 | | REV. B | |
| | DWG#: R-OR-Q1-4CMEH | | | CHECKED: Gary Kang | | APPROVED: George Yang | |
| | UNIT: mm | SCALE: A4 2:1 | FINISH: | MATERIAL: RoHS Compliant | | DATE: 04/13/2018 | |
| | TOLERANCE: X± 0.15 .X± 0.10 .XX± 0.05 | | THIRD ANGLE PROJECTION | DRAWN: Boris | | | |



CROSS HATCHED AREA DENOTES WHERE SURFACE TRACES ARE PERMITTED

QUAD LIGHT PIPE LED LAYOUT

CROSS HATCHED AREA DENOTES EMI GROUNDING PAD (MUST BE CONNECTED TO CHASSIS GROUND)


DETAIL D SCALE 2:1

AREA DENOTES COMPONENT KEEP-OUT (TRACES ALLOWED)

DETAIL E SCALE 3:1

HATCHED AREA DENOTES COMPONENT AND TRACE KEEP-OUT (EXCEPT CHASSIS GROUND)

DOUBLE SIDE PCB LAYOUT
MINIMUM PCB THICKNESS OF 2.2 MM
TOLERANCE: ±0.05

| | | | | | | | |
|--|--|---------------|---------|--------------------------|--|-----------------------|--|
|  ALL BEST ELECTRONICS CO., LTD. | TITLE: QSFP+ 1X1 Cage Assembly W/ Light Pipe & Heat Sink | | | SHEET: 4/4 | | REV. B | |
| | DWG#: R-OR-Q1-4CMEH | | | CHECKED: Gary Kang | | APPROVED: George Yang | |
| | UNIT: mm | SCALE: A4 2:1 | FINISH: | MATERIAL: RoHS Compliant | | | |
| | TOLERANCE: X±0.15 .X±0.10 .XX±0.05 | | | DRAWN: Boris | | DATE: 04/13/2018 | |
| | THIRD ANGLE PROJECTION | | | | | | |