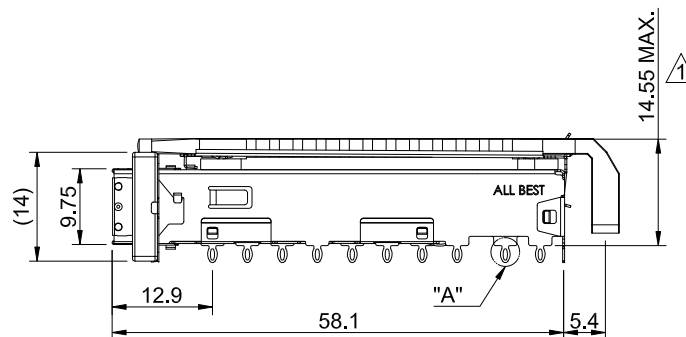
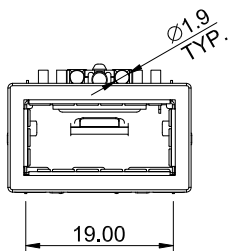
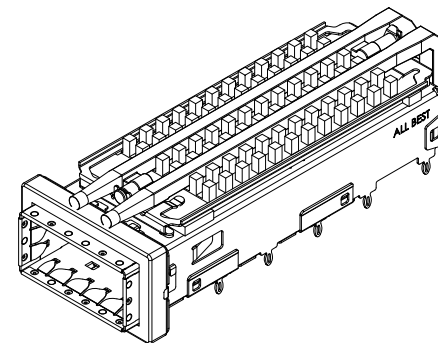


DETAIL A
SCALE 5:1



MATERIAL
 CAGE: NICKEL SILVER
 HEAT SINK: ALUMINUM
 HEAT SINK CLIP: STAINLESS STEEL
 EMI SPRING: STAINLESS STEEL
 EMI GASKET FLANGE: STAINLESS STEEL
 EMI GASKET: CONDUCTIVE ELASTOMER
 LIGHT PIPE: PC

FINISH
 HEAT SINK: ANODE PROCESS

NOTE
 ▲ DIMENSION APPLIES WITH MODULE INSERTED IN CAGE



TITLE: QSFP+ 1X1 Cage Assembly w/ Light Pipe & Heat Sink

DWG#: R-OR-Q1-4CGE5

SHEET: 1/4
REV.: C

UNIT: mm
SCALE: A4 1:1

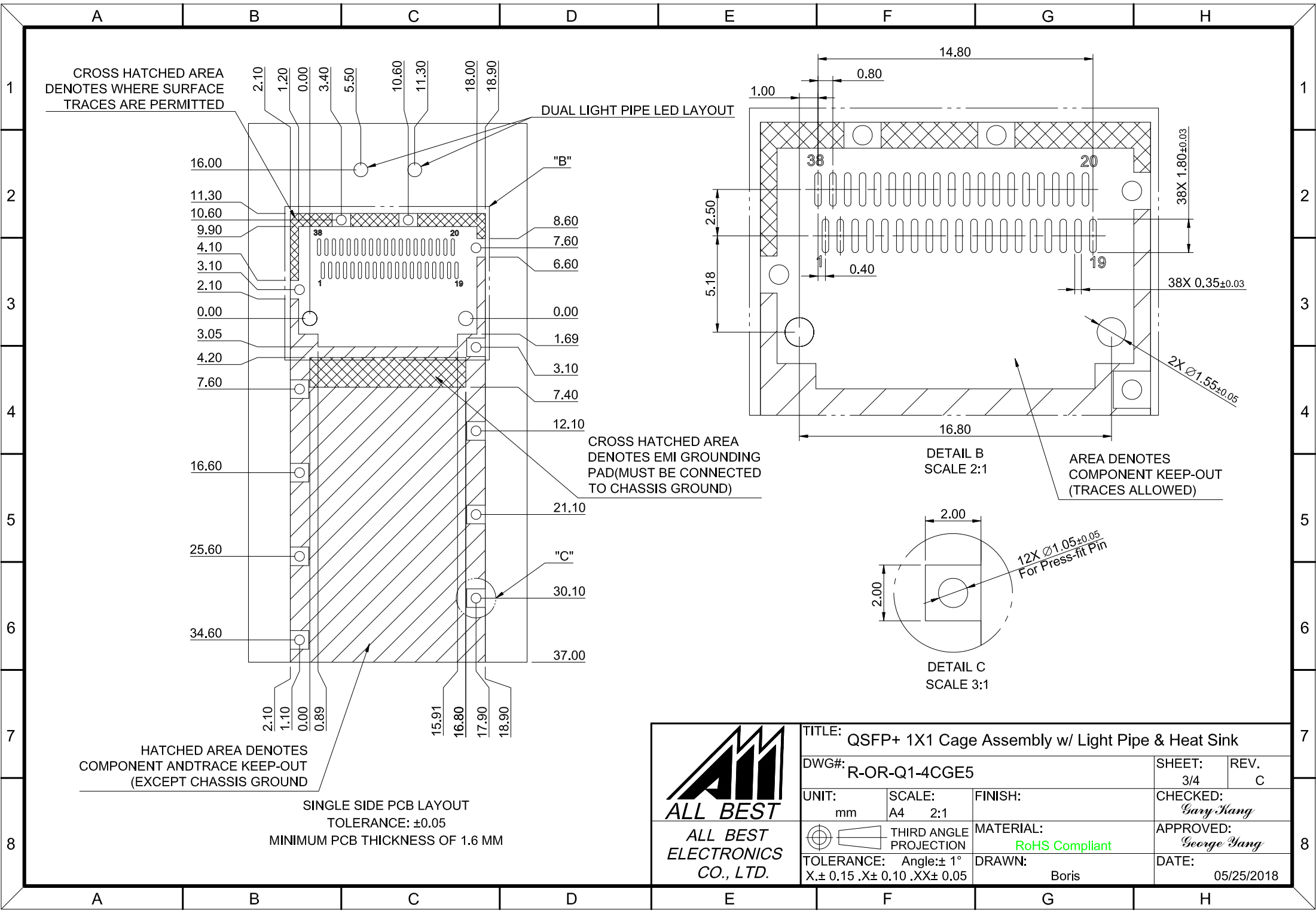
FINISH:
CHECKED: Gary Yang

THIRD ANGLE PROJECTION

MATERIAL: RoHS Compliant
APPROVED: George Yang

TOLERANCE: Angle: ± 1°
 X.± 0.25 .X± 0.20 .XX± 0.15

DRAWN: Boris
DATE: 05/25/2018



HATCHED AREA DENOTES COMPONENT AND TRACE KEEP-OUT (EXCEPT CHASSIS GROUND)

SINGLE SIDE PCB LAYOUT
TOLERANCE: ±0.05
MINIMUM PCB THICKNESS OF 1.6 MM

DUAL LIGHT PIPE LED LAYOUT

CROSS HATCHED AREA DENOTES EMI GROUNDING PAD (MUST BE CONNECTED TO CHASSIS GROUND)

DETAIL B
SCALE 2:1

AREA DENOTES COMPONENT KEEP-OUT (TRACES ALLOWED)

DETAIL C
SCALE 3:1

12X Ø1.05±0.05
For Press-fit Pin



ALL BEST
ELECTRONICS
CO., LTD.

TITLE: QSFP+ 1X1 Cage Assembly w/ Light Pipe & Heat Sink

DWG#: R-OR-Q1-4CGE5

UNIT: mm SCALE: A4 2:1

THIRD ANGLE PROJECTION

TOLERANCE: X±0.15 .X±0.10 .XX±0.05

FINISH: MATERIAL: RoHS Compliant

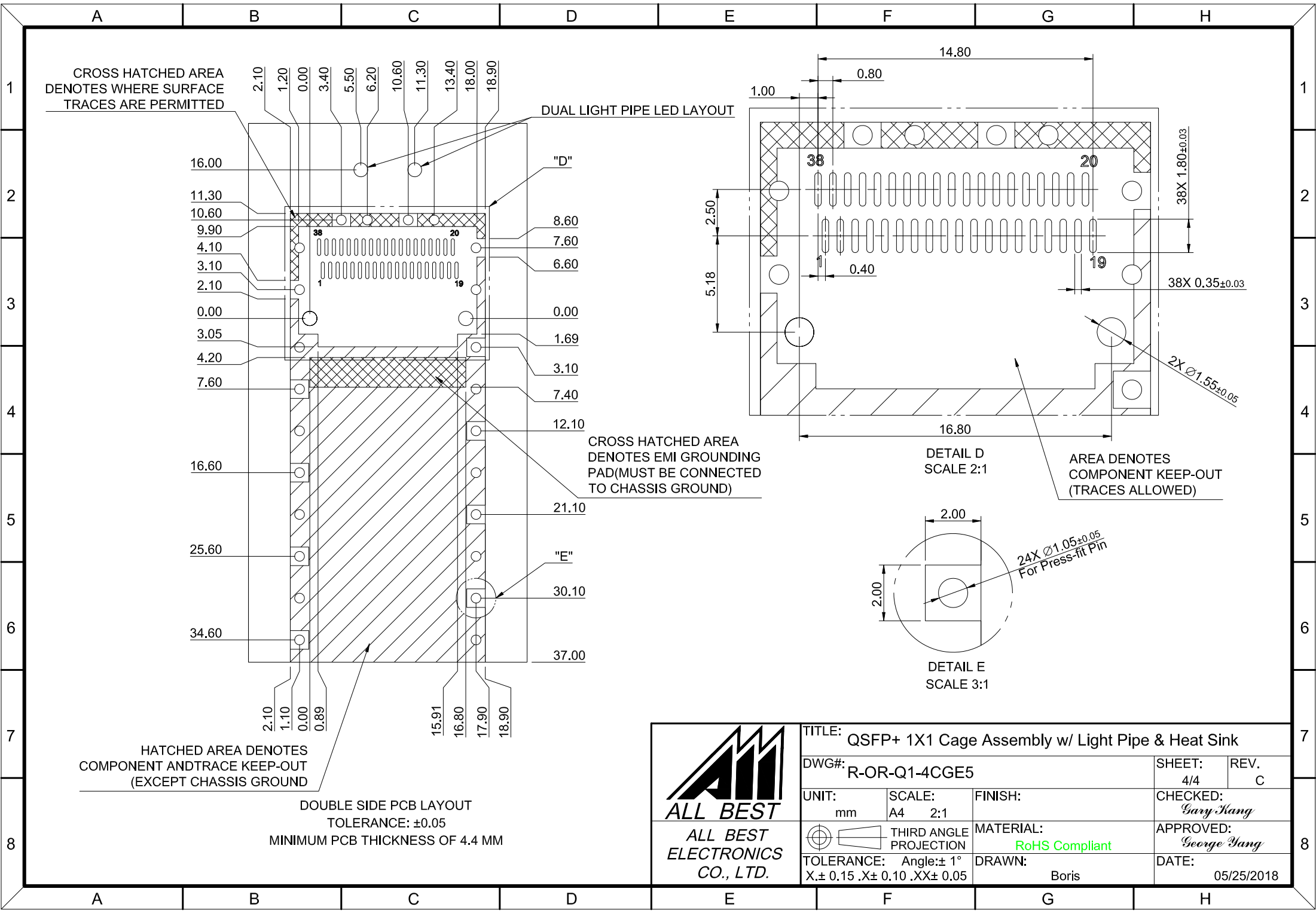
DRAWN: Boris

SHEET: 3/4 REV. C

CHECKED: Gary Yang

APPROVED: George Yang

DATE: 05/25/2018



CROSS HATCHED AREA DENOTES WHERE SURFACE TRACES ARE PERMITTED

DUAL LIGHT PIPE LED LAYOUT

CROSS HATCHED AREA DENOTES EMI GROUNDING PAD (MUST BE CONNECTED TO CHASSIS GROUND)


DETAIL D SCALE 2:1

AREA DENOTES COMPONENT KEEP-OUT (TRACES ALLOWED)

DETAIL E SCALE 3:1

HATCHED AREA DENOTES COMPONENT AND TRACE KEEP-OUT (EXCEPT CHASSIS GROUND)

DOUBLE SIDE PCB LAYOUT
TOLERANCE: ±0.05
MINIMUM PCB THICKNESS OF 4.4 MM

 ALL BEST ELECTRONICS CO., LTD.	TITLE: QSFP+ 1X1 Cage Assembly w/ Light Pipe & Heat Sink			SHEET: 4/4		REV. C	
	DWG#: R-OR-Q1-4CGE5			CHECKED: Gary Yang		APPROVED: George Yang	
	UNIT: mm	SCALE: A4 2:1	FINISH:	MATERIAL: RoHS Compliant		DATE: 05/25/2018	
	TOLERANCE: X.± 0.15 .X± 0.10 .XX± 0.05		THIRD ANGLE PROJECTION	DRAWN: Boris			
			Angle: ± 1°				