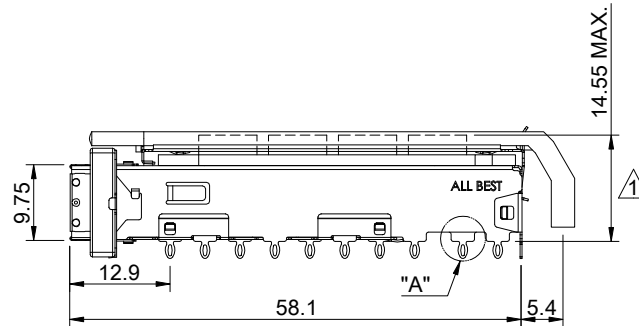
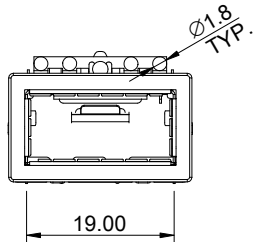
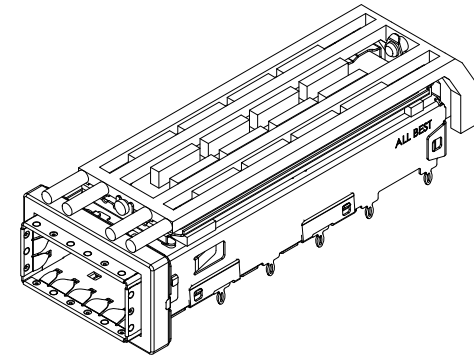


DETAIL A
SCALE 5:1



MATERIAL
 CAGE: NICKEL SILVER
 HEAT SINK: ALUMINUM
 HEAT SINK CLIP: STAINLESS STEEL
 EMI SPRING: STAINLESS STEEL
 EMI GASKET FLANGE: STAINLESS STEEL
 EMI GASKET: CONDUCTIVE ELASTOMER
 LIGHT PIPE: PC

FINISH
 HEAT SINK: ANODE PROCESS

NOTE
 ▲ DIMENSION APPLIES WITH MODULE INSERTED IN CAGE

THIS PRINT IS
PRELIMINARY
 UNQUALIFIED PRODUCT
 CONTACT PRODUCT ENGINEERING
 BEFORE USING THIS PRINT



TITLE: QSFP+ 1X1 Cage Assembly w/ Light Pipe & Heat Sink			
DWG#: R-OR-Q1-4CGEG		SHEET: 1/4	REV. REF
UNIT: mm	SCALE: A4 1:1	CHECKED:	
TOLERANCE: Angle: ± 1° X ± 0.25 .X ± 0.20 .XX ± 0.15		MATERIAL: RoHS Compliant	APPROVED:
THIRD ANGLE PROJECTION		DRAWN: Gary	DATE: 03/15/2024

A B C D E F G H

1 1

2 2

3 3

4 4

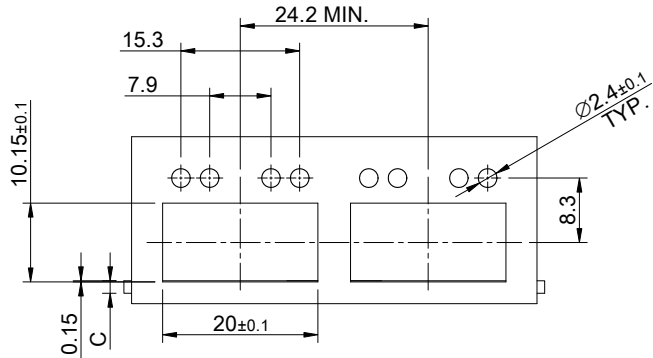
5 5

6 6

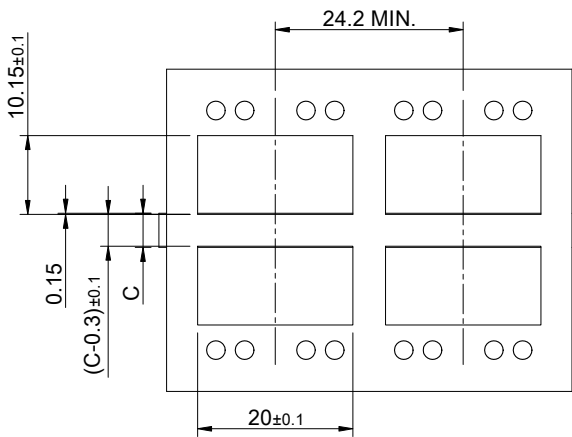
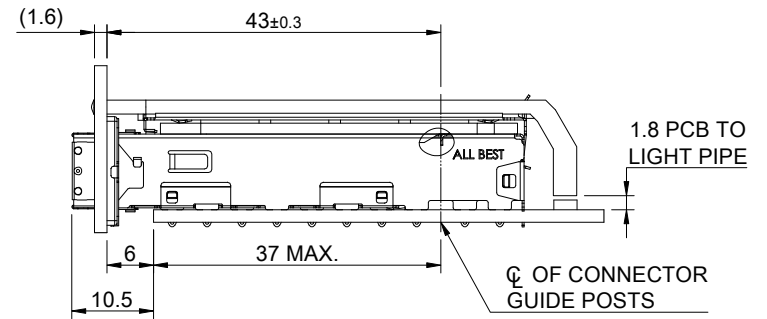
7 7

8 8

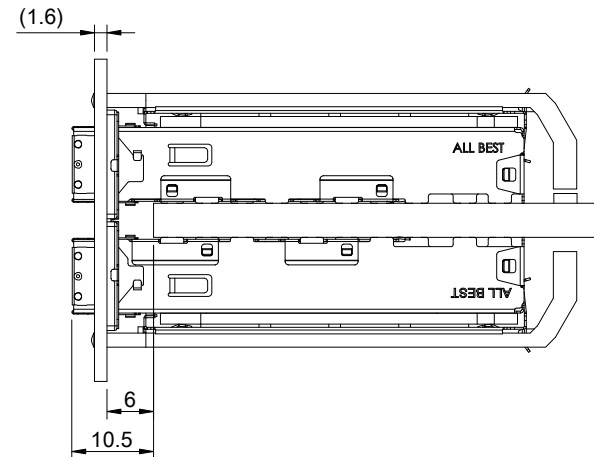
A B C D E F G H



SINGLE-SIDE CONFIGURATION



BELLY TO BELLY CONFIGURATION



C = THICKNESS OF PC BOARD
 SINGLE-SIDE = 1.6MM (MIN.)
 BELLY TO BELLY = 4.4MM (MIN.)

THIS PRINT IS
PRELIMINARY
 UNQUALIFIED PRODUCT
 CONTACT PRODUCT ENGINEERING
 BEFORE USING THIS PRINT



TITLE: QSFP+ 1X1 Cage Assembly w/ Light Pipe & Heat Sink

DWG#: R-OR-Q1-4CGEG

SHEET: 2/4 REV. REF

UNIT: mm SCALE: A4 1:1

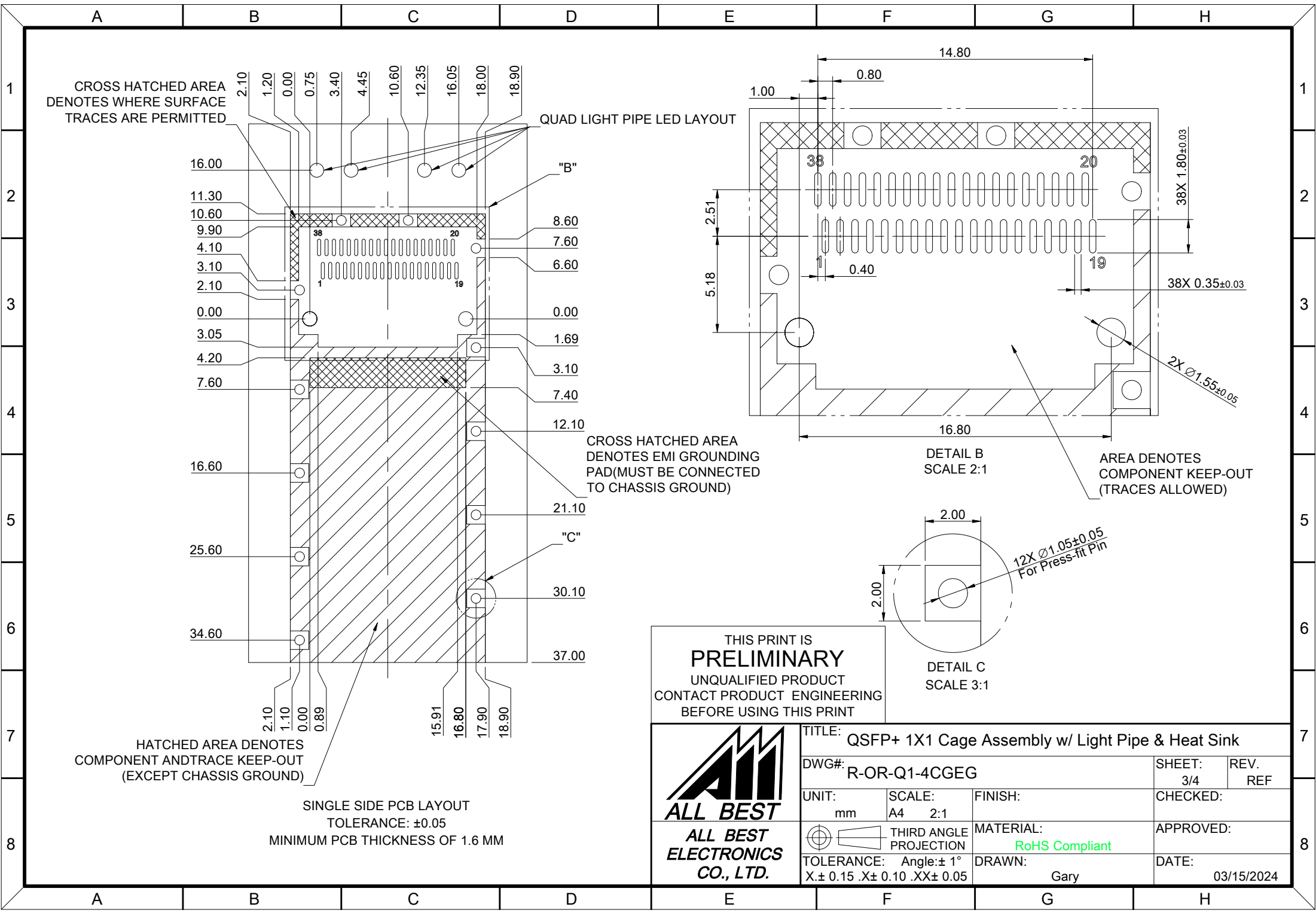
FINISH: CHECKED: APPROVED:

THIRD ANGLE PROJECTION

MATERIAL: RoHS Compliant

TOLERANCE: Angle: ± 1°
 X ± 0.15 .X ± 0.10 .XX ± 0.05

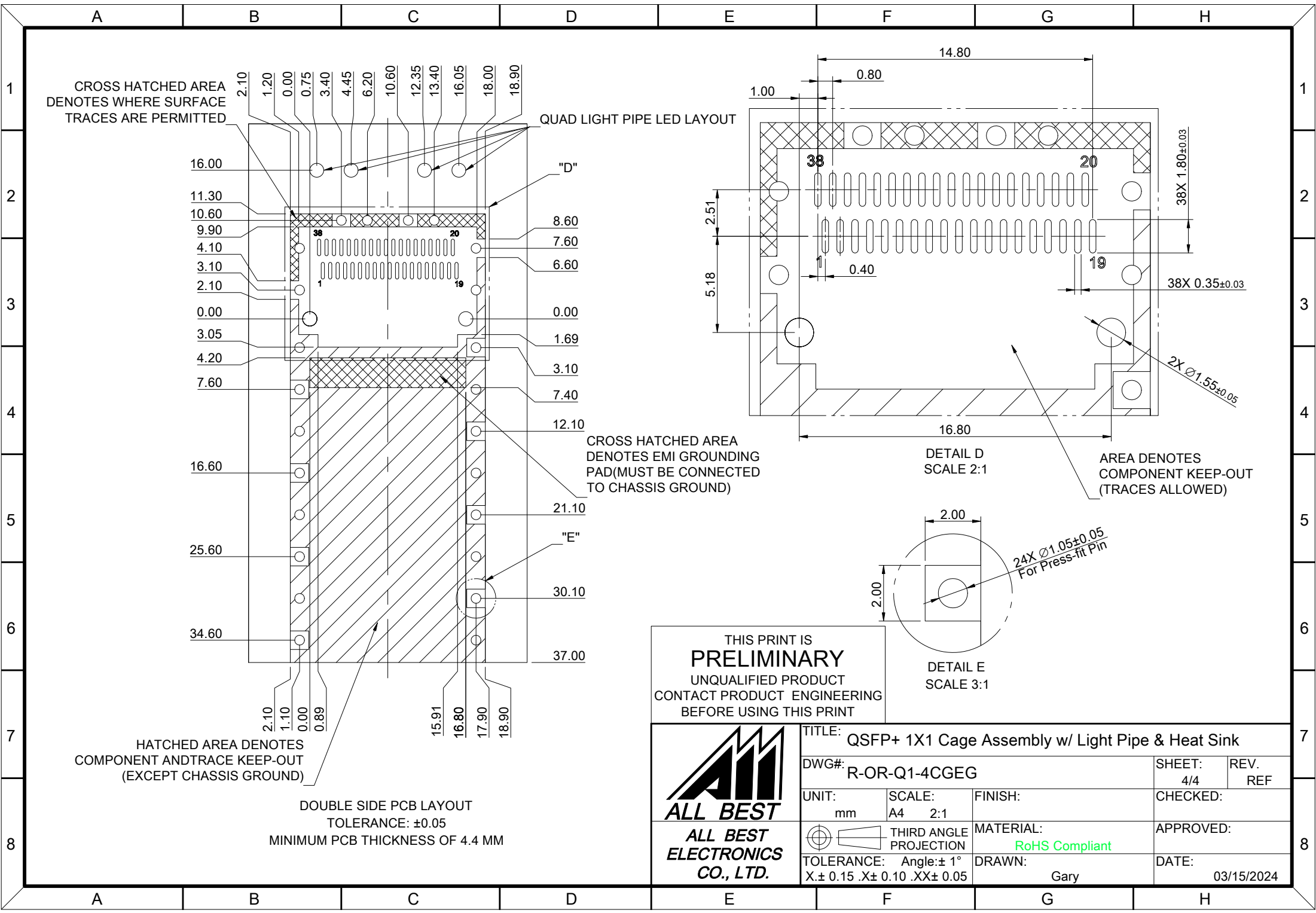
DRAWN: Gary DATE: 03/15/2024



THIS PRINT IS
PRELIMINARY
UNQUALIFIED PRODUCT
CONTACT PRODUCT ENGINEERING
BEFORE USING THIS PRINT



TITLE: QSFP+ 1X1 Cage Assembly w/ Light Pipe & Heat Sink			
DWG#: R-OR-Q1-4CGEG		SHEET: 3/4	REV. REF
UNIT: mm	SCALE: A4 2:1	FINISH:	CHECKED:
THIRD ANGLE PROJECTION		MATERIAL: RoHS Compliant	APPROVED:
TOLERANCE: Angle: $\pm 1^\circ$ X: ± 0.15 .X: ± 0.10 .XX: ± 0.05		DRAWN: Gary	DATE: 03/15/2024



THIS PRINT IS
PRELIMINARY
 UNQUALIFIED PRODUCT
 CONTACT PRODUCT ENGINEERING
 BEFORE USING THIS PRINT



TITLE: QSFP+ 1X1 Cage Assembly w/ Light Pipe & Heat Sink			
DWG#: R-OR-Q1-4CGEG		SHEET: 4/4	REV. REF
UNIT: mm	SCALE: A4 2:1	FINISH:	CHECKED:
THIRD ANGLE PROJECTION		MATERIAL: RoHS Compliant	APPROVED:
TOLERANCE: Angle: ± 1° X ± 0.15 .XX ± 0.05		DRAWN: Gary	DATE: 03/15/2024