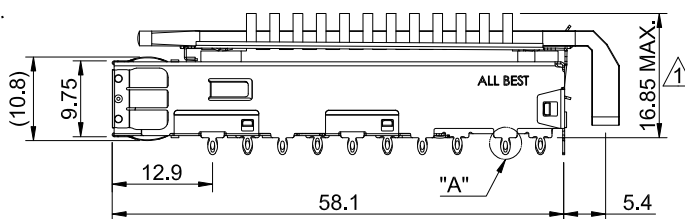
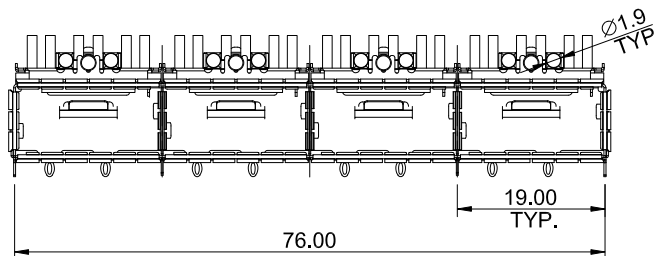


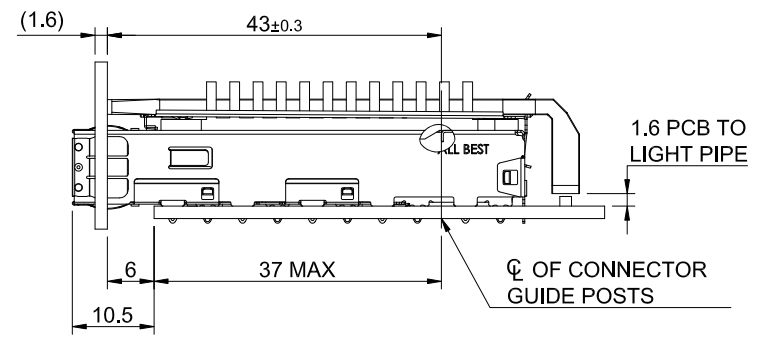
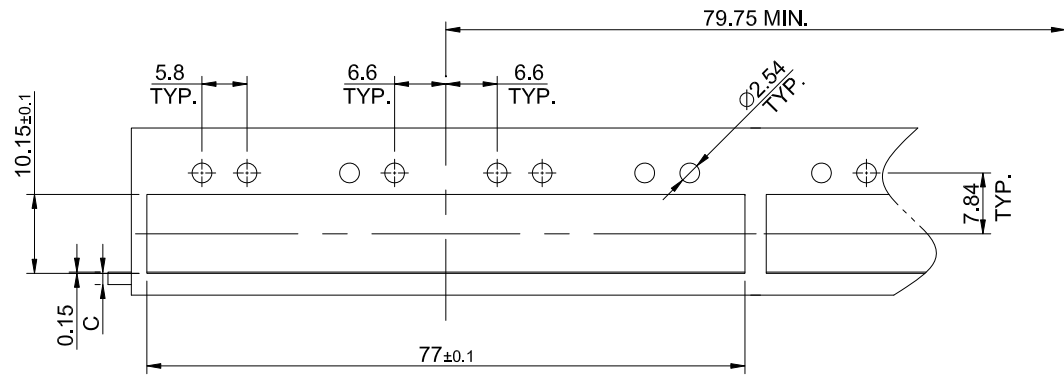
MATERIAL
 CAGE: NICKLE SILVER
 HEAT SINK: ALUMINUM
 HEAT SINK CLIP: STAINLESS STEEL
 EMI SPRING: STAINLESS STEEL
 LIGHT PIPE: PC

FINISH
 HEAT SINK: ANODE PROCESS

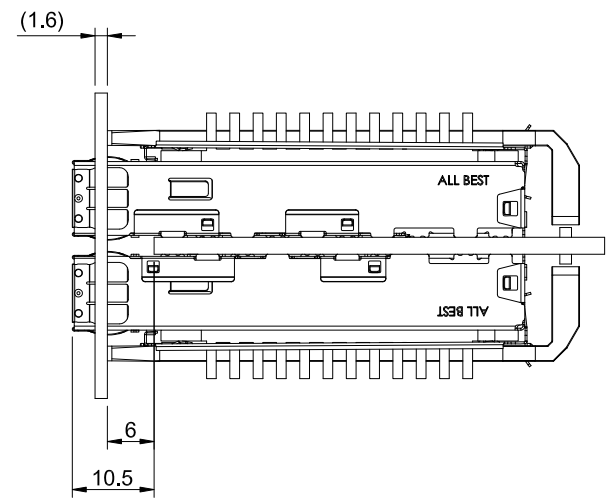
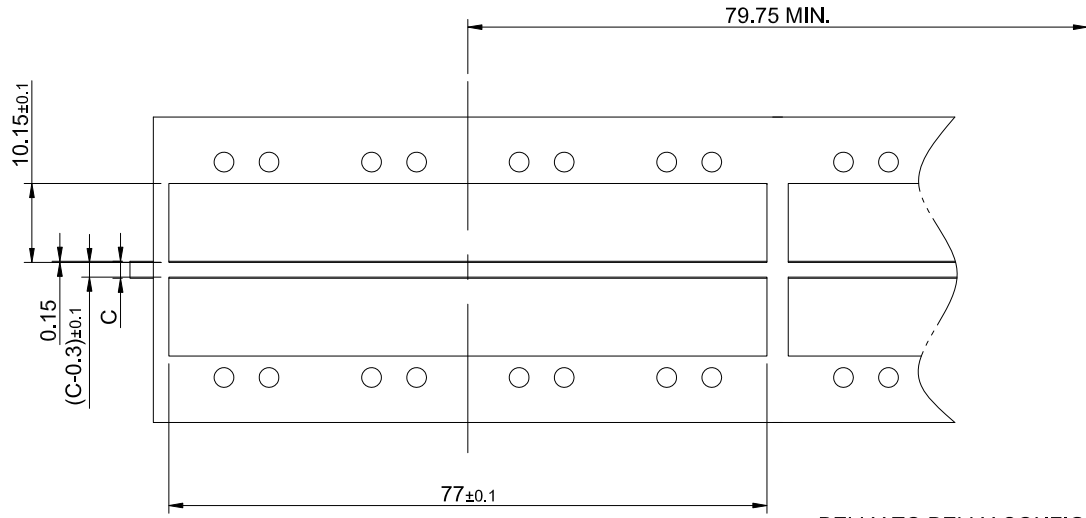
NOTE
 ▲ DIMENSION APPLIES WITH MODULE INSERTED IN CAGE



<p>ALL BEST ALL BEST ELECTRONICS CO., LTD.</p>	TITLE: QSFP+ 1X4 Cage Assembly w/ Light Pipe & Heat Sink		SHEET: 1/4		REV. C
	DWG#: R-OR-Q4-4CME4		CHECKED: Gary Kang		APPROVED: George Yang
	UNIT: mm	SCALE: A4 1:1	FINISH:	MATERIAL: RoHS Compliant	
	TOLERANCE: Angle: ±1° X.± 0.25 .X± 0.20 .XX± 0.15		THIRD ANGLE PROJECTION	DRAWN: Boris	DATE: 04/30/2018




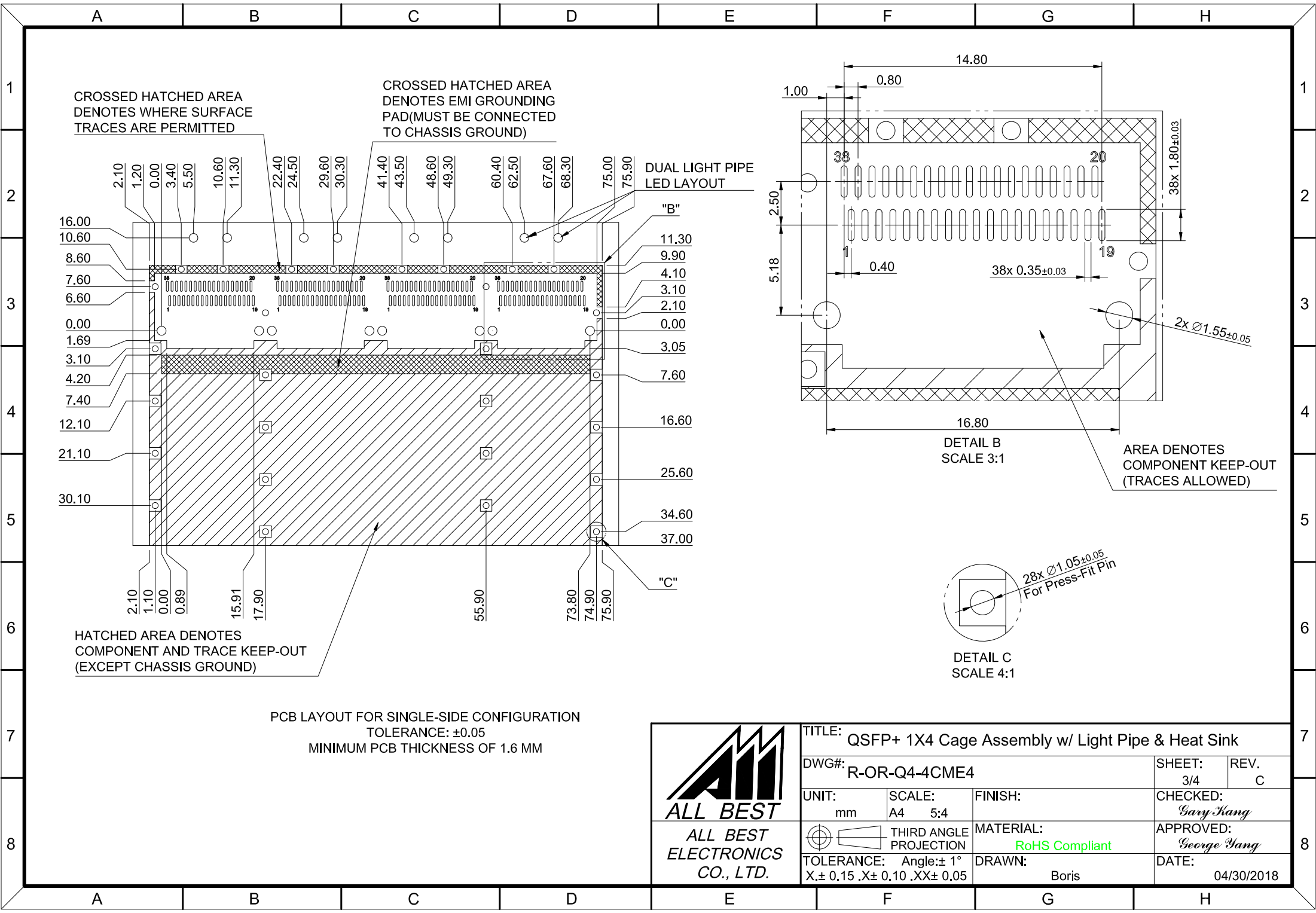
SINGLE-SIDE CONFIGURATION



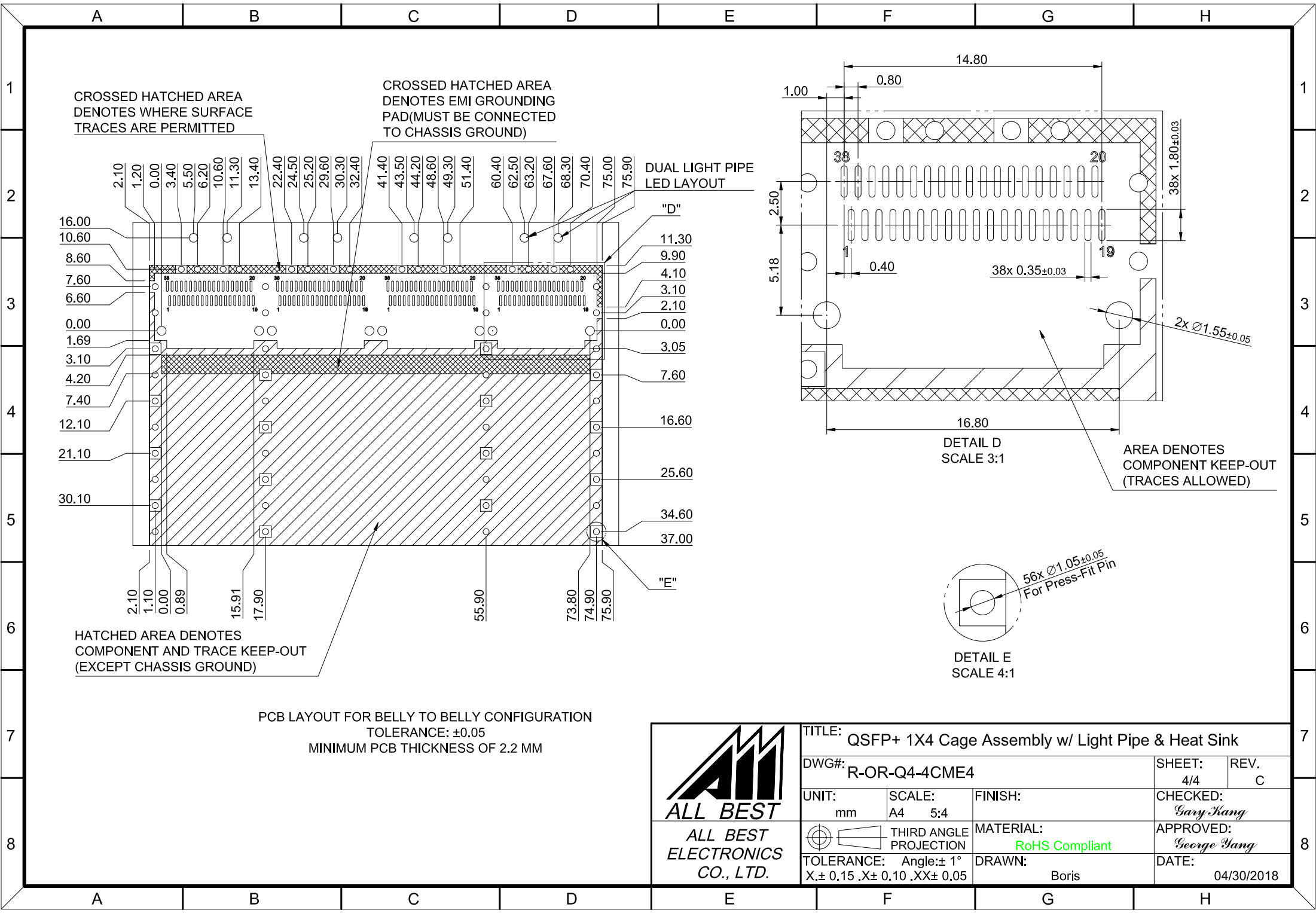
BELLY TO BELLY CONFIGURATION

C = THICKNESS OF PC BOARD
 SINGLE-SIDE = 1.6MM (MIN.)
 BELLY TO BELLY = 2.2MM (MIN.)

	TITLE: QSFP+ 1X4 Cage Assembly w/ Light Pipe & Heat Sink		SHEET: 2/4	REV. C
	DWG#: R-OR-Q4-4CME4		CHECKED: Gary Yang	
	UNIT: mm	SCALE: A4 1:1	FINISH:	APPROVED: George Yang
	TOLERANCE: Angle: ± 1° X.± 0.15 .X± 0.10 .XX± 0.05		MATERIAL: RoHS Compliant	DATE: 04/30/2018
		THIRD ANGLE PROJECTION	DRAWN: Boris	



<p>ALL BEST ELECTRONICS CO., LTD.</p>	TITLE: QSFP+ 1X4 Cage Assembly w/ Light Pipe & Heat Sink		SHEET: 3/4		REV. C
	DWG#: R-OR-Q4-4CME4		CHECKED: Gary Kang		
UNIT: mm	SCALE: A4 5:4	FINISH:	APPROVED: George Yang		
THIRD ANGLE PROJECTION		MATERIAL: RoHS Compliant	DATE: 04/30/2018		
TOLERANCE: Angle: $\pm 1^\circ$ X: ± 0.15 .X: ± 0.10 .XX: ± 0.05		DRAWN: Boris			



CROSSED HATCHED AREA DENOTES WHERE SURFACE TRACES ARE PERMITTED

CROSSED HATCHED AREA DENOTES EMI GROUNDING PAD (MUST BE CONNECTED TO CHASSIS GROUND)

DUAL LIGHT PIPE LED LAYOUT

HATCHED AREA DENOTES COMPONENT AND TRACE KEEP-OUT (EXCEPT CHASSIS GROUND)

56x $\varnothing 1.05 \pm 0.05$ For Press-Fit Pin

DETAIL E SCALE 4:1

DETAIL D SCALE 3:1

AREA DENOTES COMPONENT KEEP-OUT (TRACES ALLOWED)

PCB LAYOUT FOR BELLY TO BELLY CONFIGURATION
TOLERANCE: ± 0.05
MINIMUM PCB THICKNESS OF 2.2 MM



TITLE: QSFP+ 1X4 Cage Assembly w/ Light Pipe & Heat Sink			
DWG#: R-OR-Q4-4CME4		SHEET: 4/4	REV. C
UNIT: mm	SCALE: A4 5:4	FINISH:	CHECKED: Gary Kang
THIRD ANGLE PROJECTION		MATERIAL: RoHS Compliant	APPROVED: George Yang
TOLERANCE: Angle: $\pm 1^\circ$ X: ± 0.15 .X: ± 0.10 .XX: ± 0.05		DRAWN: Boris	DATE: 04/30/2018