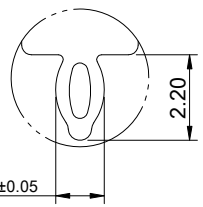
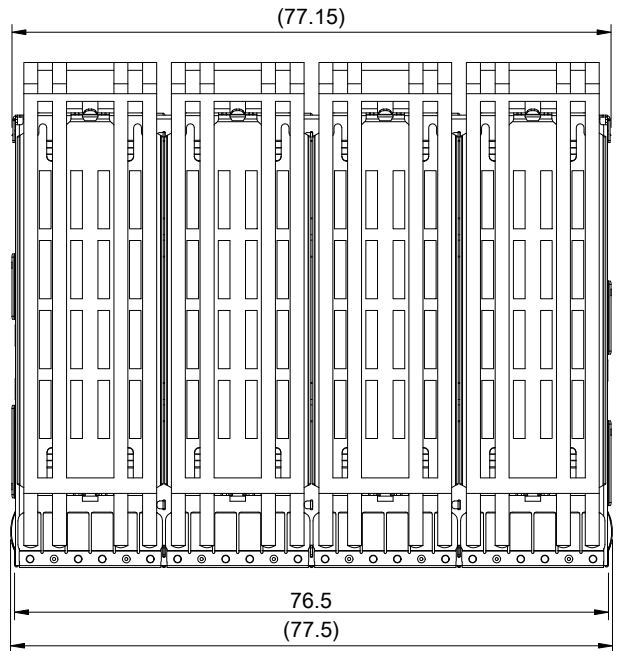
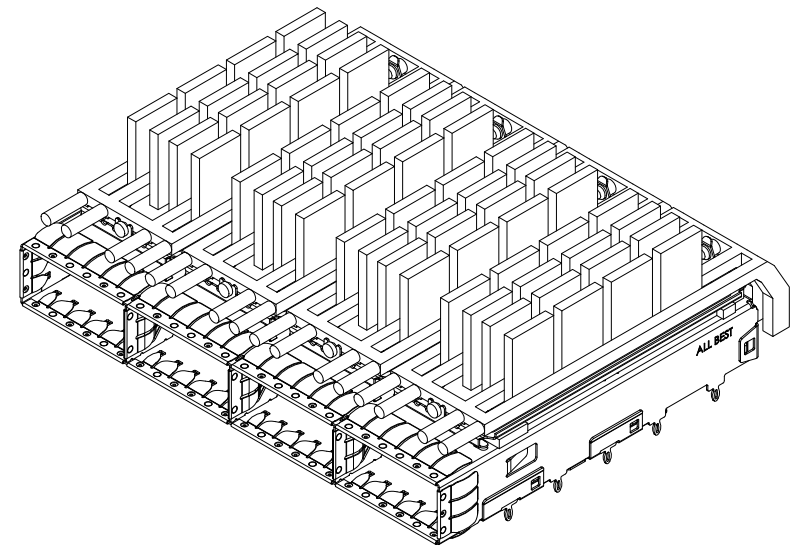


A B C D E F G H

1
2
3
4
5
6
7
8



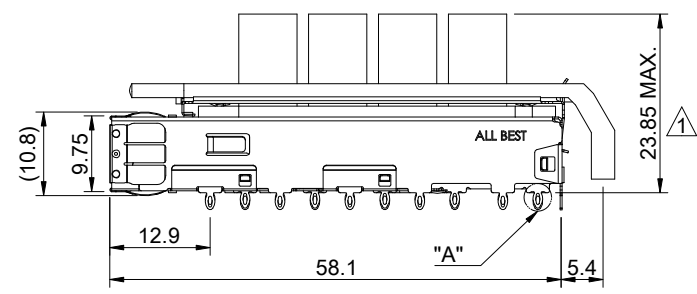
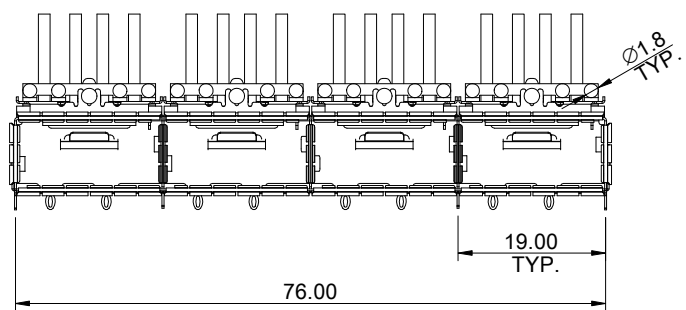
DETAIL A
SCALE 5:1



MATERIAL
 CAGE: NICKEL SILVER
 HEAT SINK: ALUMINUM
 HEAT SINK CLIP: STAINLESS STEEL
 EMI SPRING: STAINLESS STEEL
 LIGHT PIPE: PC

FINISH
 HEAT SINK: ANODE PROCESS

NOTE
 ▲ DIMENSION APPLIES WITH MODULE INSERTED IN CAGE

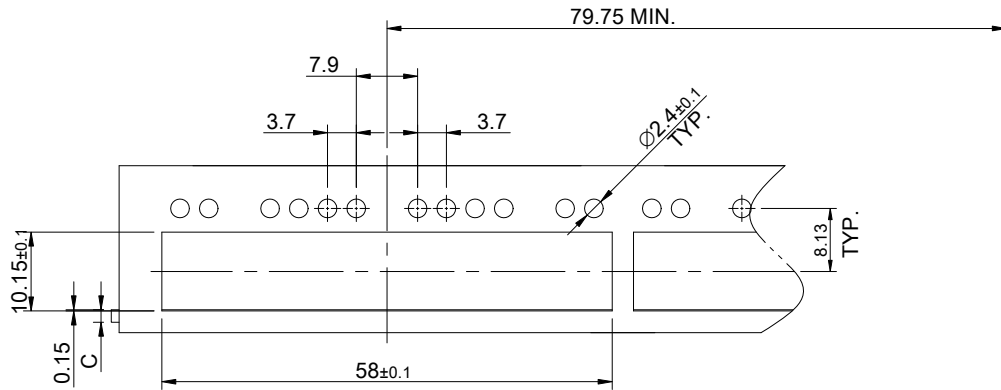


THIS PRINT IS
PRELIMINARY
 UNQUALIFIED PRODUCT
 CONTACT PRODUCT ENGINEERING
 BEFORE USING THIS PRINT

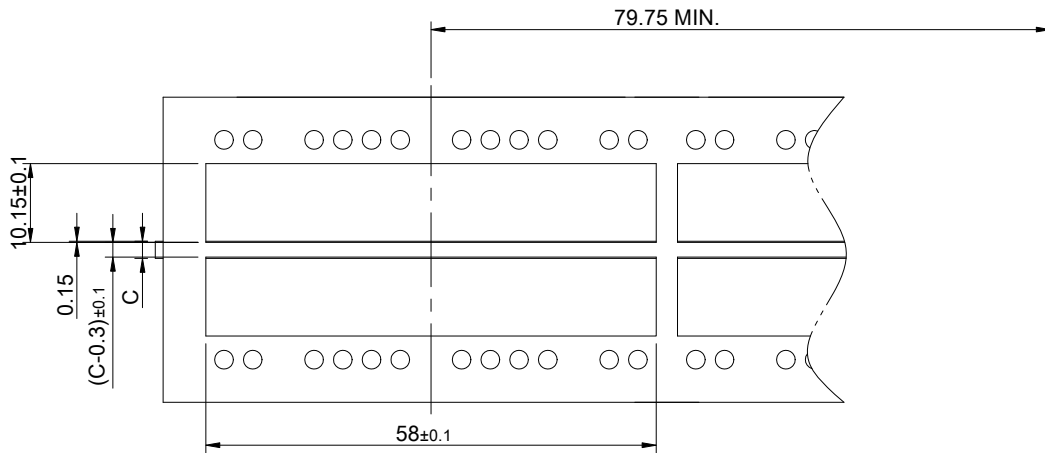
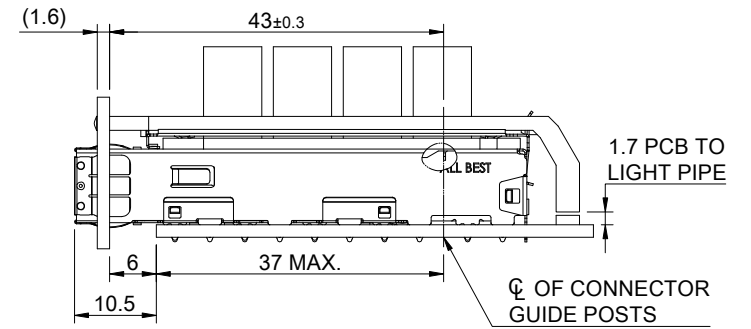


TITLE: QSFP+ 1X4 Cage Assembly w/ Light Pipe & Heat Sink			
DWG#: R-OR-Q4-4CMEE		SHEET: 1/4	REV. REF
UNIT: mm	SCALE: A4 1:1	FINISH:	CHECKED:
TOLERANCE: X± 0.25 .X± 0.20 .XX± 0.15		MATERIAL: RoHS Compliant	APPROVED:
THIRD ANGLE PROJECTION		DRAWN: Gary	DATE: 03/15/2024

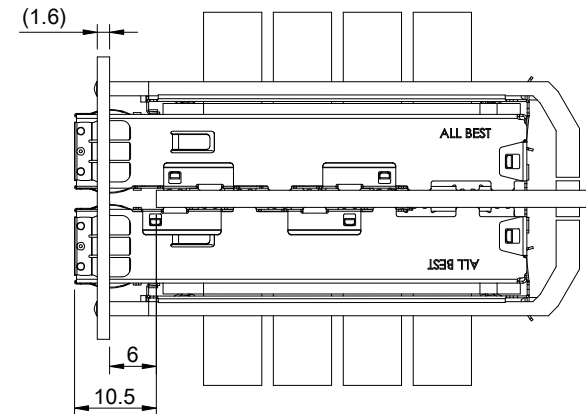
A B C D E F G H



SINGLE-SIDE CONFIGURATION



BELLY TO BELLY CONFIGURATION



C = THICKNESS OF PC BOARD
 SINGLE-SIDE = 1.6MM (MIN.)
 BELLY TO BELLY = 2.2MM (MIN.)

THIS PRINT IS
PRELIMINARY
 UNQUALIFIED PRODUCT
 CONTACT PRODUCT ENGINEERING
 BEFORE USING THIS PRINT



TITLE: QSFP+ 1X4 Cage Assembly w/ Light Pipe & Heat Sink

DWG#: R-OR-Q4-4CMEE

SHEET: 2/4
 REV. REF

UNIT: mm
 SCALE: A4 1:1

FINISH: CHECKED:

THIRD ANGLE PROJECTION

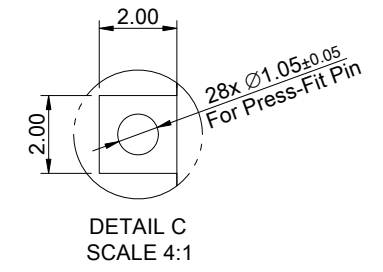
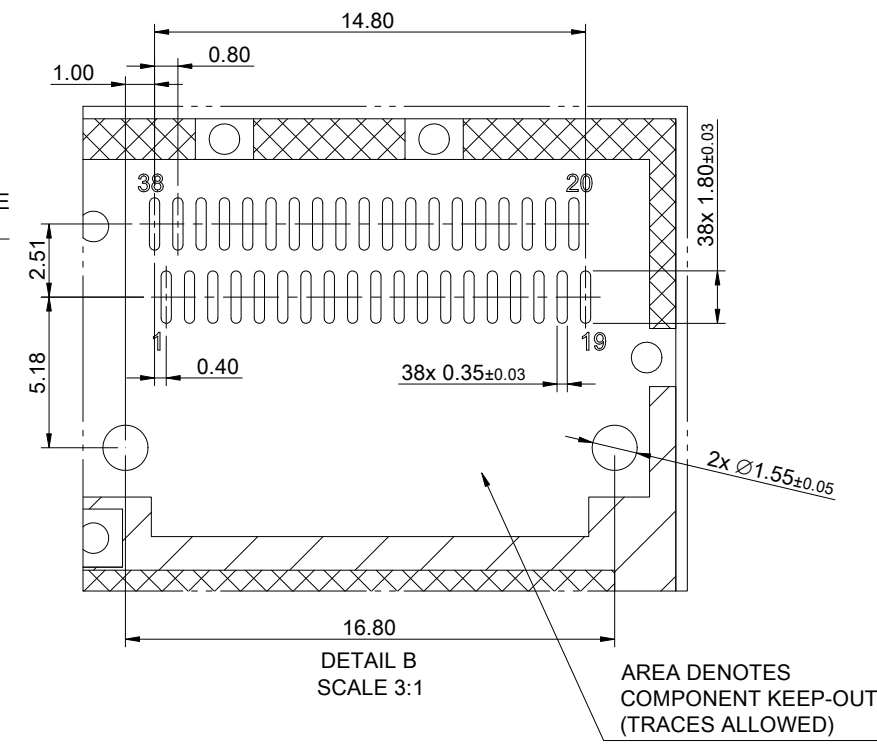
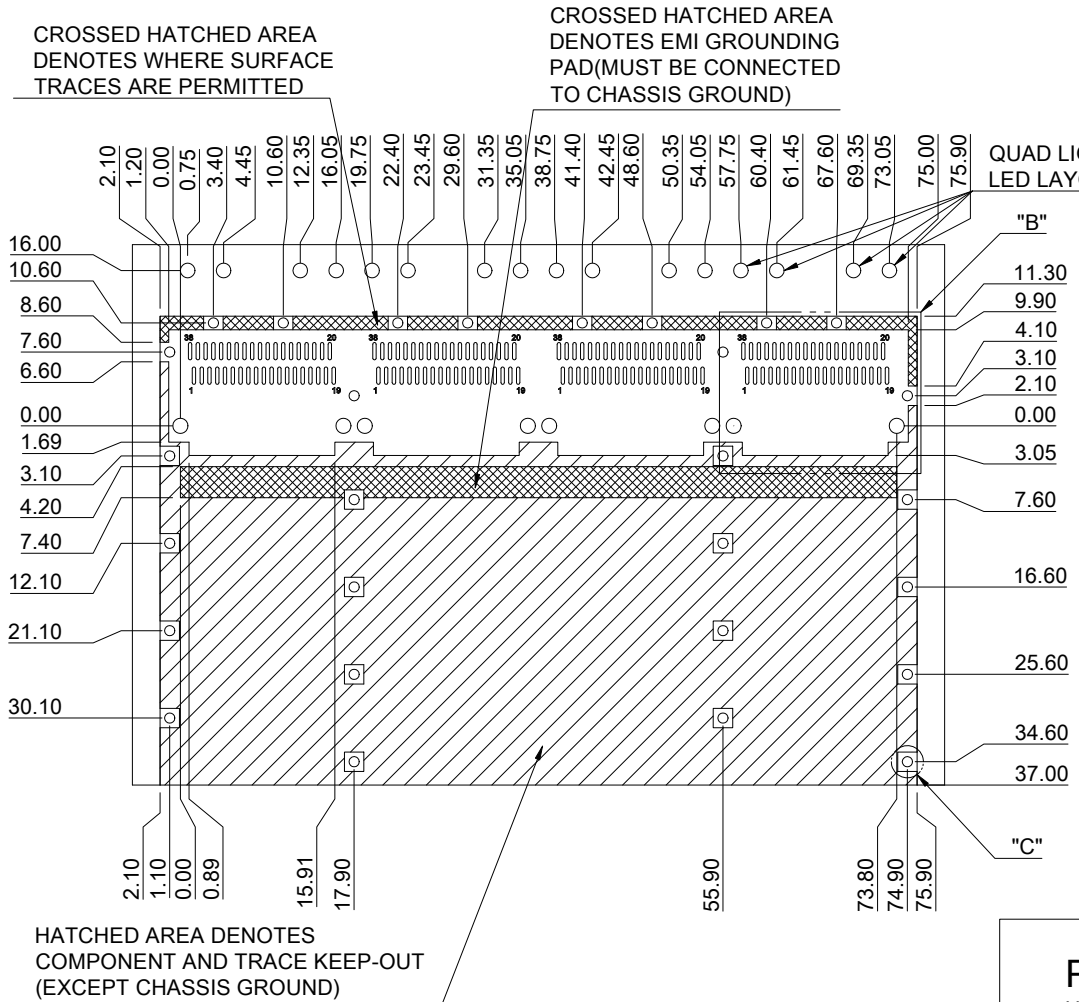
MATERIAL: RoHS Compliant

APPROVED:

TOLERANCE: Angle: ± 1°
 X ± 0.15 .X ± 0.10 .XX ± 0.05

DRAWN: Gary

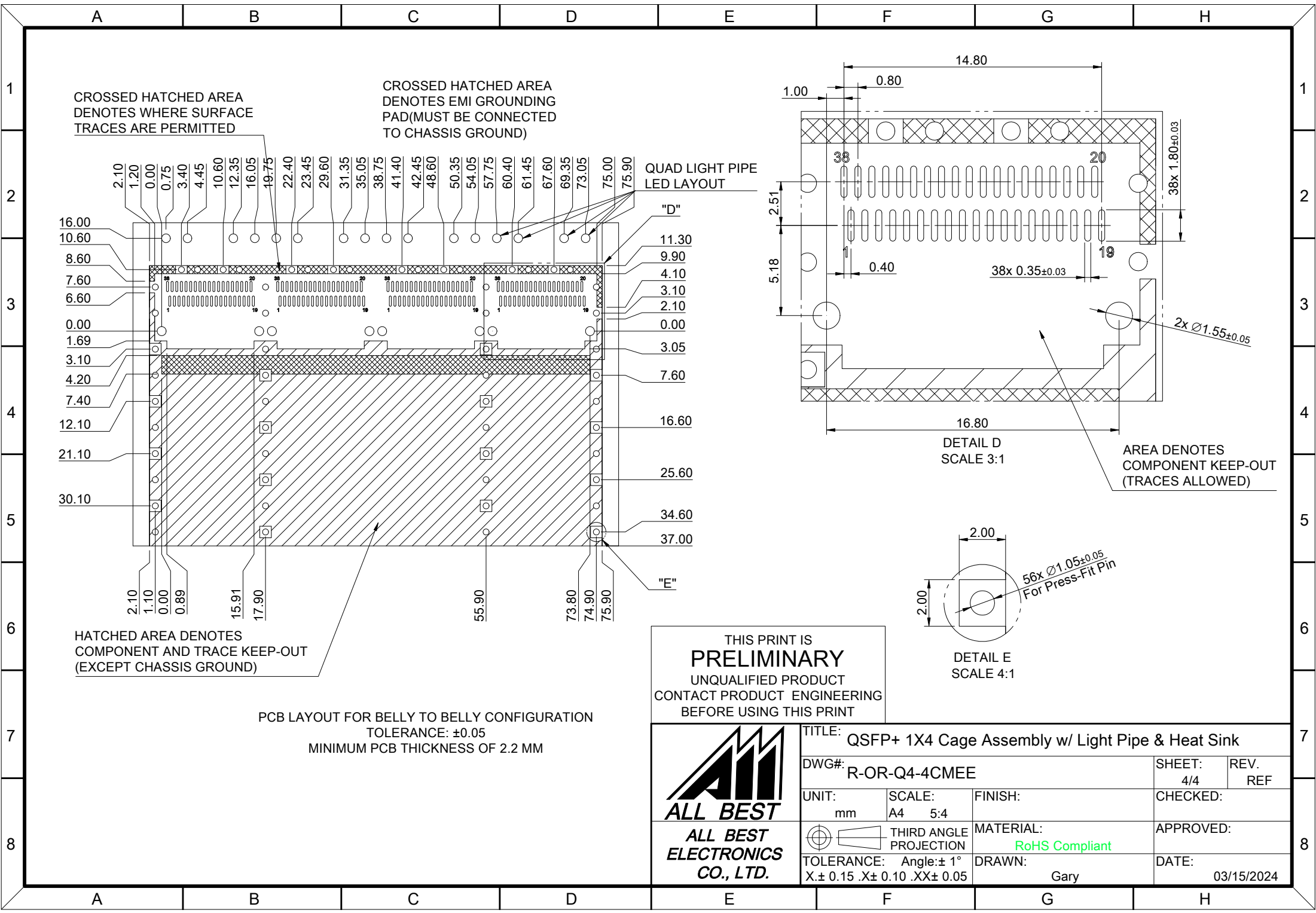
DATE: 03/15/2024



PCB LAYOUT FOR SINGLE-SIDE CONFIGURATION
 TOLERANCE: ±0.05
 MINIMUM PCB THICKNESS OF 1.6 MM

THIS PRINT IS
PRELIMINARY
 UNQUALIFIED PRODUCT
 CONTACT PRODUCT ENGINEERING
 BEFORE USING THIS PRINT

 ALL BEST ELECTRONICS CO., LTD.	TITLE: QSFP+ 1X4 Cage Assembly w/ Light Pipe & Heat Sink			SHEET: 3/4		REV. REF	
	DWG#: R-OR-Q4-4CMEE			CHECKED:		APPROVED:	
	UNIT: mm	SCALE: A4 5:4	FINISH:		MATERIAL: RoHS Compliant		DATE: 03/15/2024
	TOLERANCE: X±0.15 .X±0.10 .XX±0.05		THIRD ANGLE PROJECTION	DRAWN: Gary			



THIS PRINT IS
PRELIMINARY
UNQUALIFIED PRODUCT
CONTACT PRODUCT ENGINEERING
BEFORE USING THIS PRINT



TITLE: QSFP+ 1X4 Cage Assembly w/ Light Pipe & Heat Sink			
DWG#: R-OR-Q4-4CMEE		SHEET: 4/4	REV. REF
UNIT: mm	SCALE: A4 5:4	FINISH:	CHECKED:
TOLERANCE: Angle: ± 1° X ± 0.15 .X ± 0.10 .XX ± 0.05		MATERIAL: RoHS Compliant	APPROVED:
THIRD ANGLE PROJECTION		DRAWN: Gary	DATE: 03/15/2024