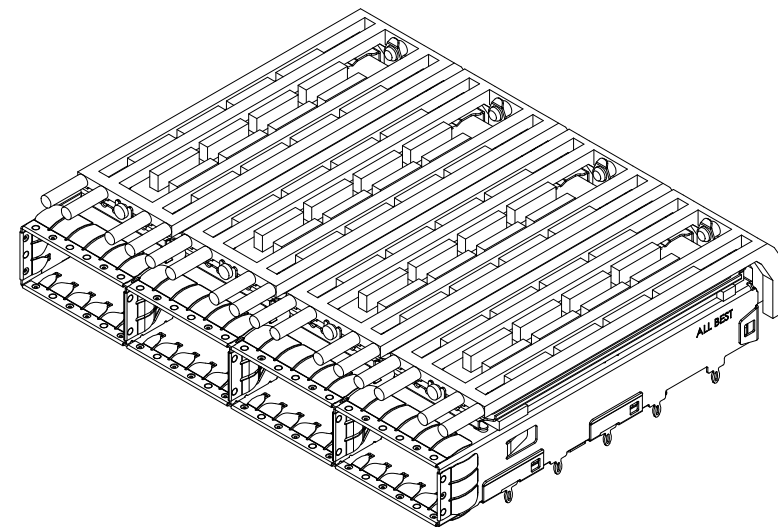


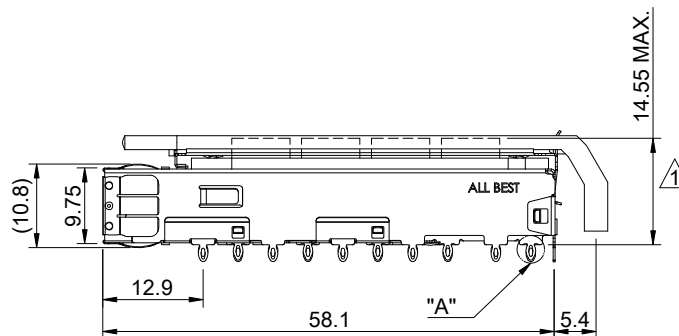
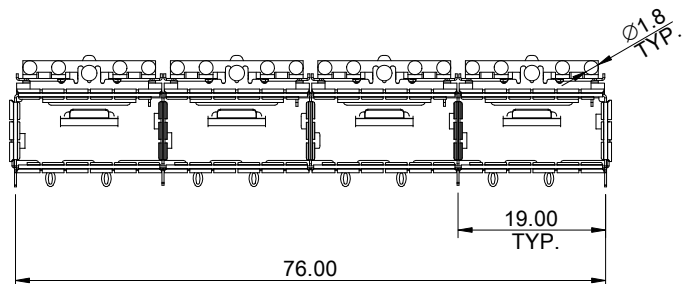
DETAIL A  
SCALE 5:1



MATERIAL  
 CAGE: NICKEL SILVER  
 HEAT SINK: ALUMINUM  
 HEAT SINK CLIP: STAINLESS STEEL  
 EMI SPRING: STAINLESS STEEL  
 LIGHT PIPE: PC

FINISH  
 HEAT SINK: ANODE PROCESS

NOTE  
 ▲ DIMENSION APPLIES WITH MODULE INSERTED IN CAGE



THIS PRINT IS  
**PRELIMINARY**  
 UNQUALIFIED PRODUCT  
 CONTACT PRODUCT ENGINEERING  
 BEFORE USING THIS PRINT



TITLE: QSFP+ 1X4 Cage Assembly w/ Light Pipe & Heat Sink

DWG#: R-OR-Q4-4CMEG

UNIT: mm SCALE: A4 1:1

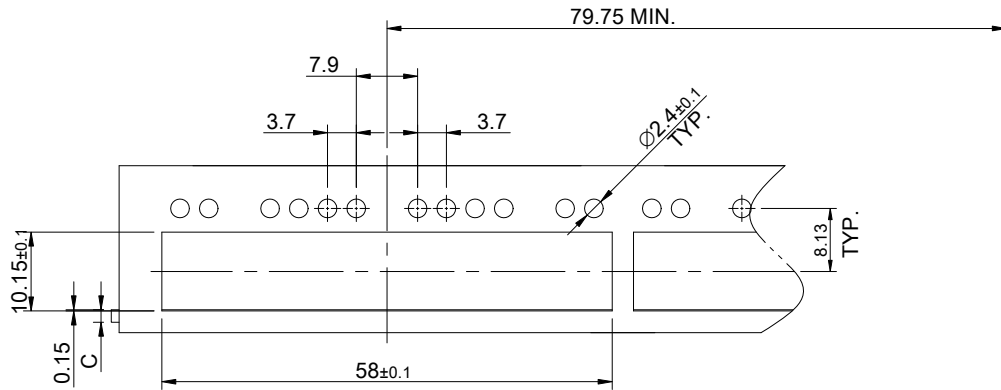
THIRD ANGLE PROJECTION

TOLERANCE: Angle: ± 1°  
 X: ± 0.25 .X: ± 0.20 .XX: ± 0.15

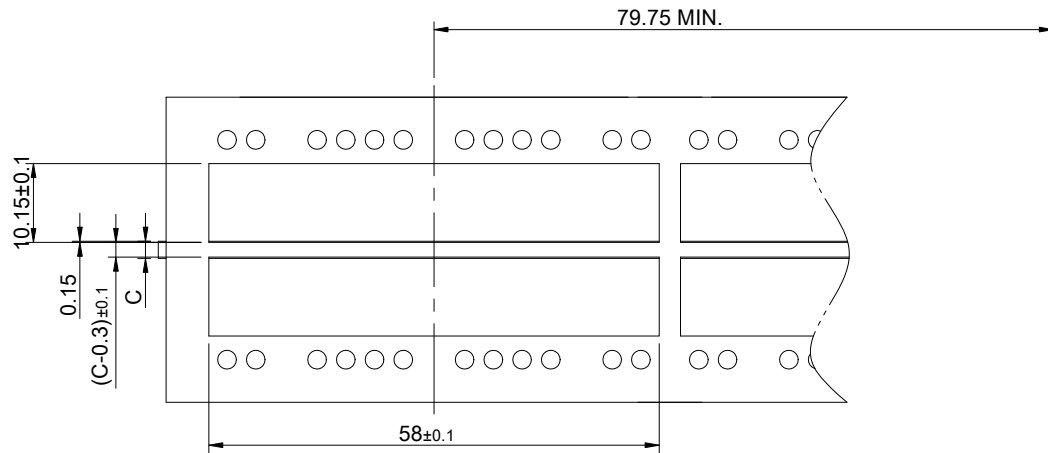
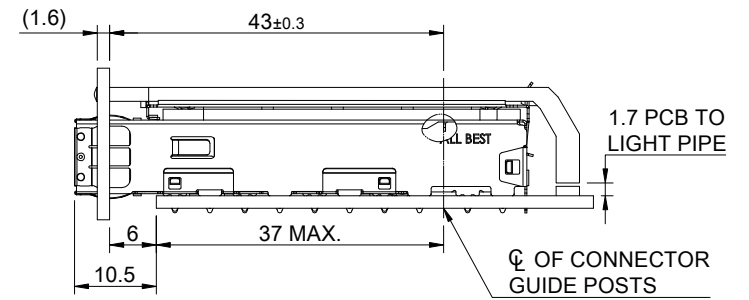
FINISH: SHEET: 1/4 REV. REF

MATERIAL: **RoHS Compliant** CHECKED: APPROVED:

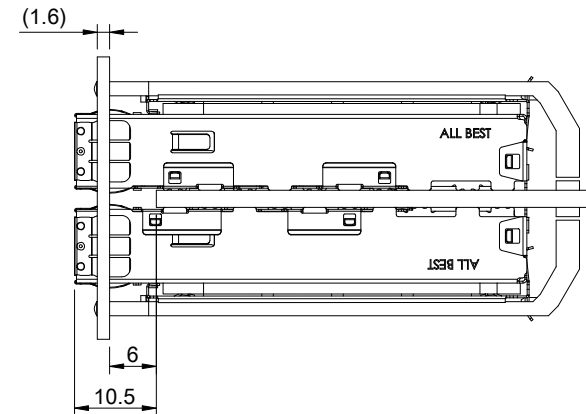
DRAWN: Gary DATE: 03/15/2024



SINGLE-SIDE CONFIGURATION



BELLY TO BELLY CONFIGURATION



C = THICKNESS OF PC BOARD  
 SINGLE-SIDE = 1.6MM (MIN.)  
 BELLY TO BELLY = 2.2MM (MIN.)

THIS PRINT IS  
**PRELIMINARY**  
 UNQUALIFIED PRODUCT  
 CONTACT PRODUCT ENGINEERING  
 BEFORE USING THIS PRINT



TITLE: QSFP+ 1X4 Cage Assembly w/ Light Pipe & Heat Sink

DWG#: R-OR-Q4-4CMEG

SHEET: 2/4  
 REV. REF

UNIT: mm  
 SCALE: A4 1:1

FINISH: CHECKED:

THIRD ANGLE PROJECTION

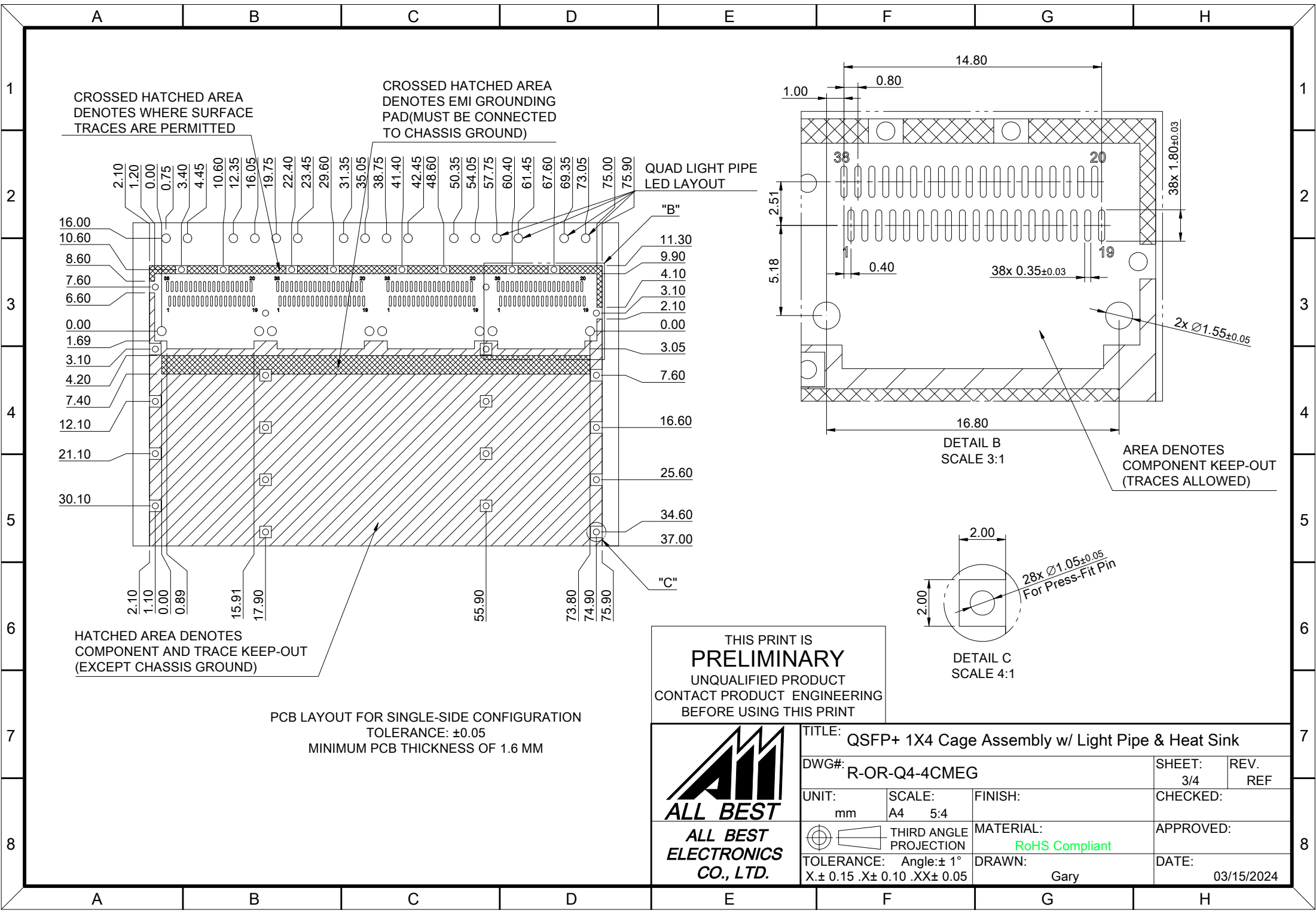
MATERIAL: RoHS Compliant

APPROVED:

TOLERANCE: Angle: ± 1°  
 X ± 0.15 .X ± 0.10 .XX ± 0.05

DRAWN: Gary

DATE: 03/15/2024



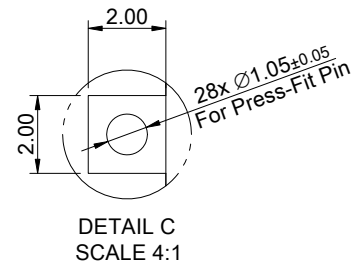
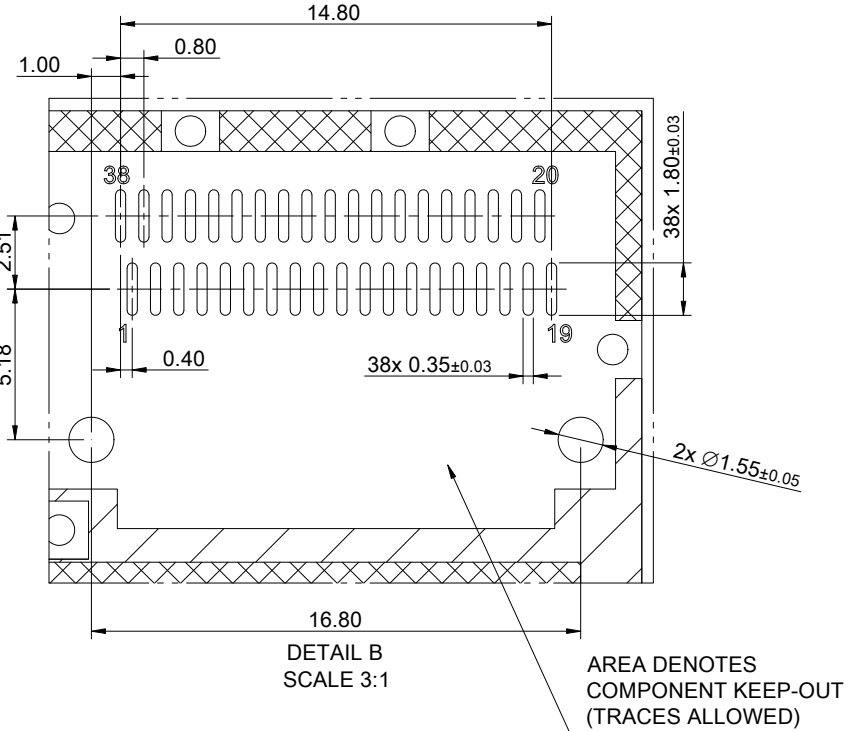
CROSSED HATCHED AREA DENOTES WHERE SURFACE TRACES ARE PERMITTED

CROSSED HATCHED AREA DENOTES EMI GROUNDING PAD (MUST BE CONNECTED TO CHASSIS GROUND)

QUAD LIGHT PIPE LED LAYOUT

HATCHED AREA DENOTES COMPONENT AND TRACE KEEP-OUT (EXCEPT CHASSIS GROUND)

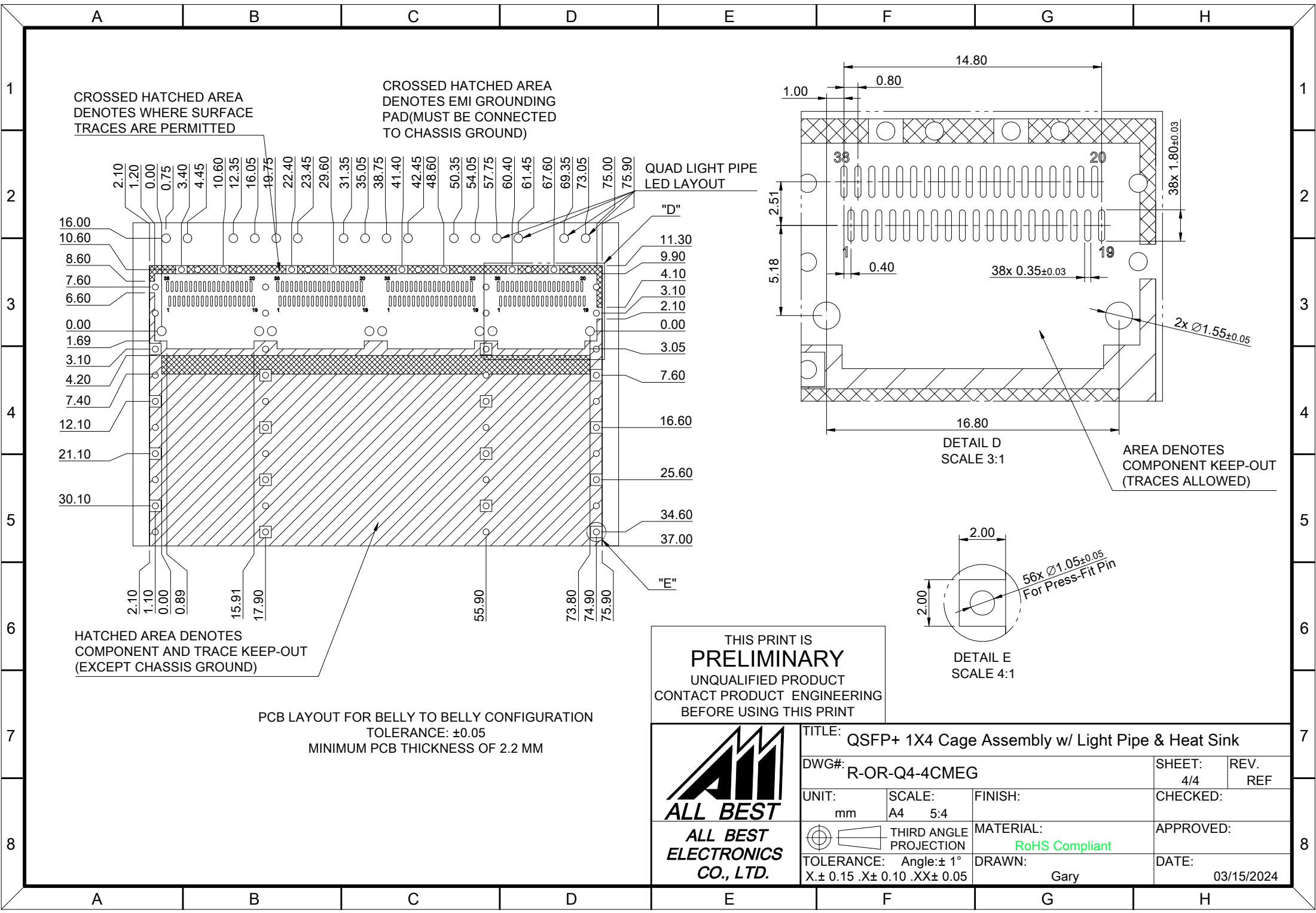
PCB LAYOUT FOR SINGLE-SIDE CONFIGURATION  
TOLERANCE: ±0.05  
MINIMUM PCB THICKNESS OF 1.6 MM



THIS PRINT IS  
**PRELIMINARY**  
UNQUALIFIED PRODUCT  
CONTACT PRODUCT ENGINEERING  
BEFORE USING THIS PRINT



TITLE: QSFP+ 1X4 Cage Assembly w/ Light Pipe & Heat Sink			
DWG#: R-OR-Q4-4CMEG		SHEET: 3/4	REV. REF
UNIT: mm	SCALE: A4 5:4	FINISH:	CHECKED:
TOLERANCE: Angle: ±1° X ± 0.15 .X ± 0.10 .XX ± 0.05		MATERIAL: RoHS Compliant	APPROVED:
THIRD ANGLE PROJECTION		DRAWN: Gary	DATE: 03/15/2024



THIS PRINT IS  
**PRELIMINARY**  
 UNQUALIFIED PRODUCT  
 CONTACT PRODUCT ENGINEERING  
 BEFORE USING THIS PRINT



TITLE: QSFP+ 1X4 Cage Assembly w/ Light Pipe & Heat Sink			
DWG#: R-OR-Q4-4CMEG		SHEET: 4/4	REV. REF
UNIT: mm	SCALE: A4 5:4	FINISH:	CHECKED:
TOLERANCE: Angle: ± 1° X ± 0.15 .X ± 0.10 .XX ± 0.05		MATERIAL: RoHS Compliant	APPROVED:
THIRD ANGLE PROJECTION		DRAWN: Gary	DATE: 03/15/2024