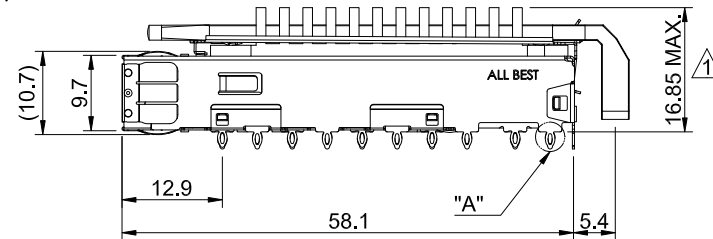
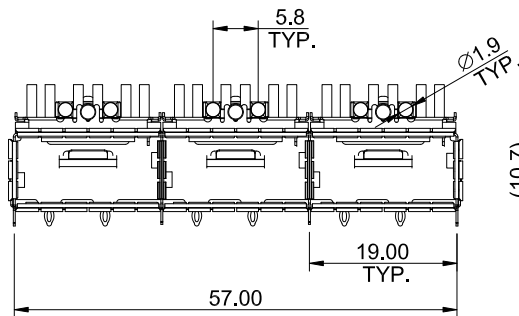


MATERIAL
 CAGE: NICKEL SILVER
 HEAT SINK: ALUMINUM
 HEAT SINK CLIP: STAINLESS STEEL
 EMI SPRING: STAINLESS STEEL
 LIGHT PIPE: PC

FINISH
 HEAT SINK: ANODE PROCESS

NOTE
 ▲ DIMENSION APPLIES WITH MODULE INSERTED IN CAGE



TITLE: QSFP+ 1X3 Cage Assembly w/ Light Pipe & Heat Sink

DWG#: R-OR-Q3-4CME4

SHEET: 1/4
 REV. C

UNIT: mm
 SCALE: A4 1:1

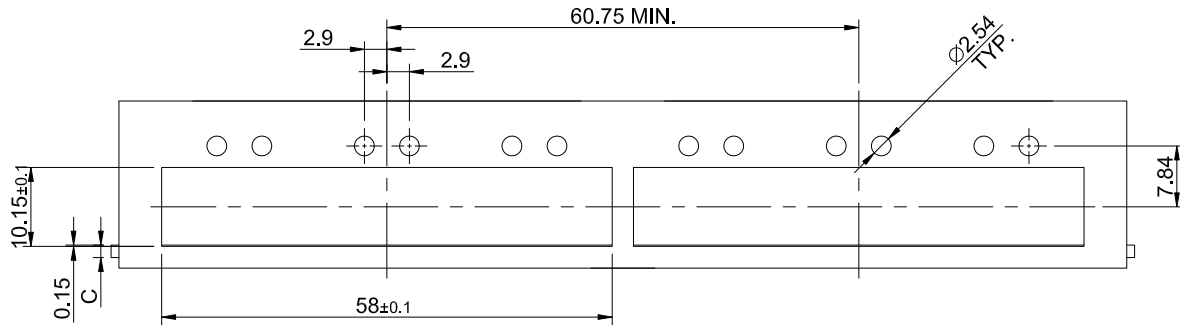
FINISH: RoHS Compliant
 CHECKED: Gary Yang

THIRD ANGLE PROJECTION

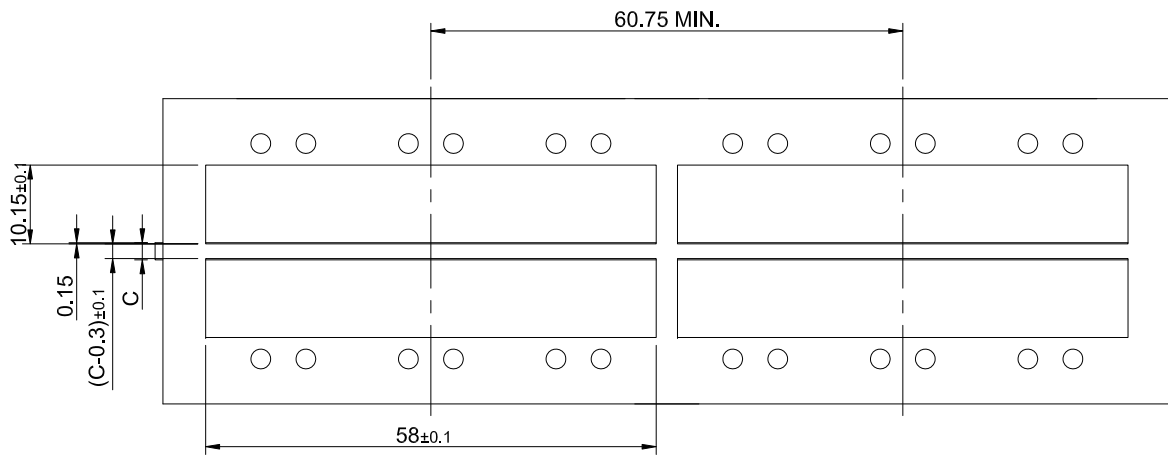
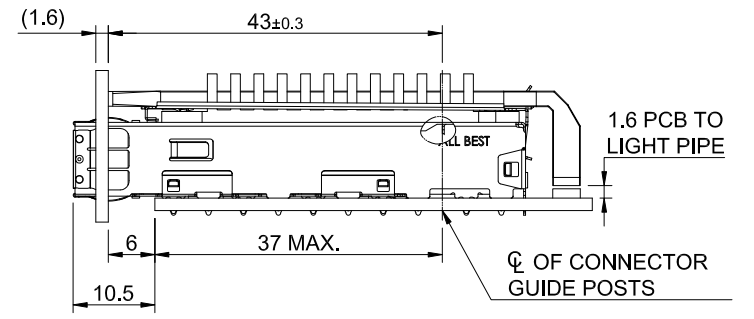
MATERIAL: RoHS Compliant
 APPROVED: George Yang

TOLERANCE: Angle: ± 1°
 X.± 0.25 .X± 0.20 .XX± 0.15

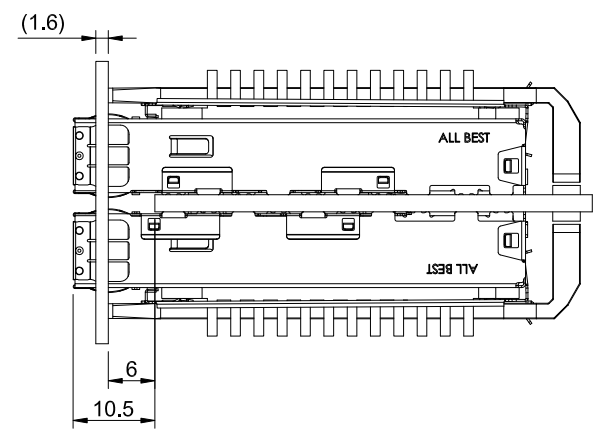
DRAWN: Boris
 DATE: 01/10/2018



SINGLE-SIDE CONFIGURATION



BELLY TO BELLY CONFIGURATION



C = THICKNESS OF PC BOARD
 SINGLE-SIDE = 1.6MM (MIN.)
 BELLY TO BELLY = 2.2MM (MIN.)



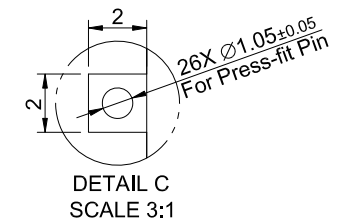
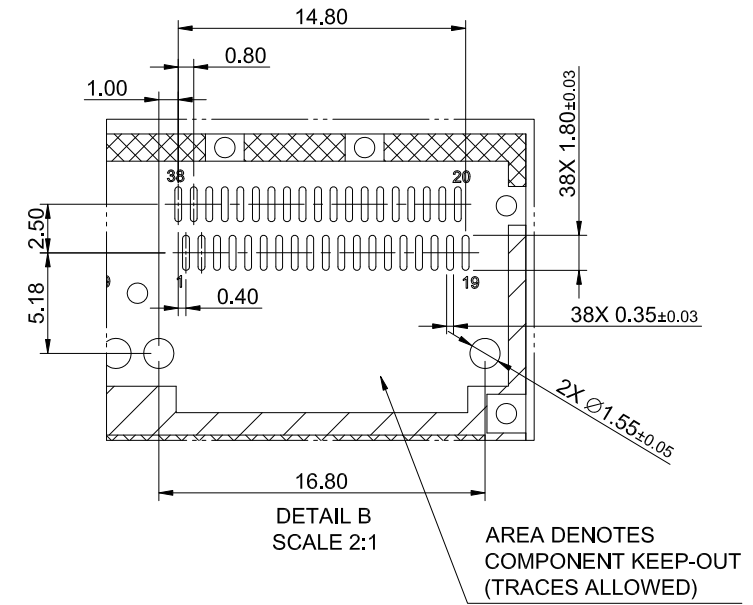
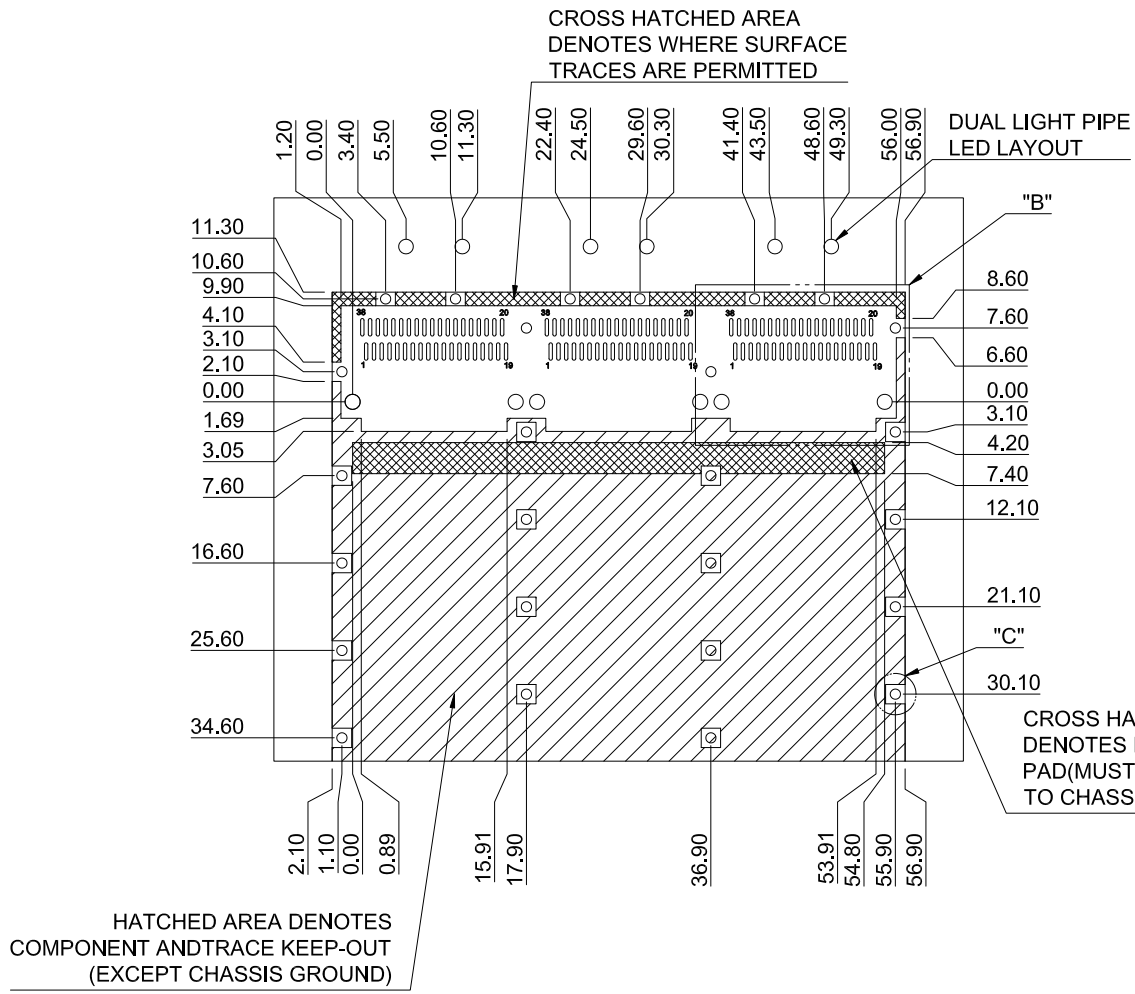
TITLE: QSFP+ 1X3 Cage Assembly w/ Light Pipe & Heat Sink

DWG#: R-OR-Q3-4CME4


UNIT: mm SCALE: A4 1:1 FINISH: CHECKED: Gary Yang

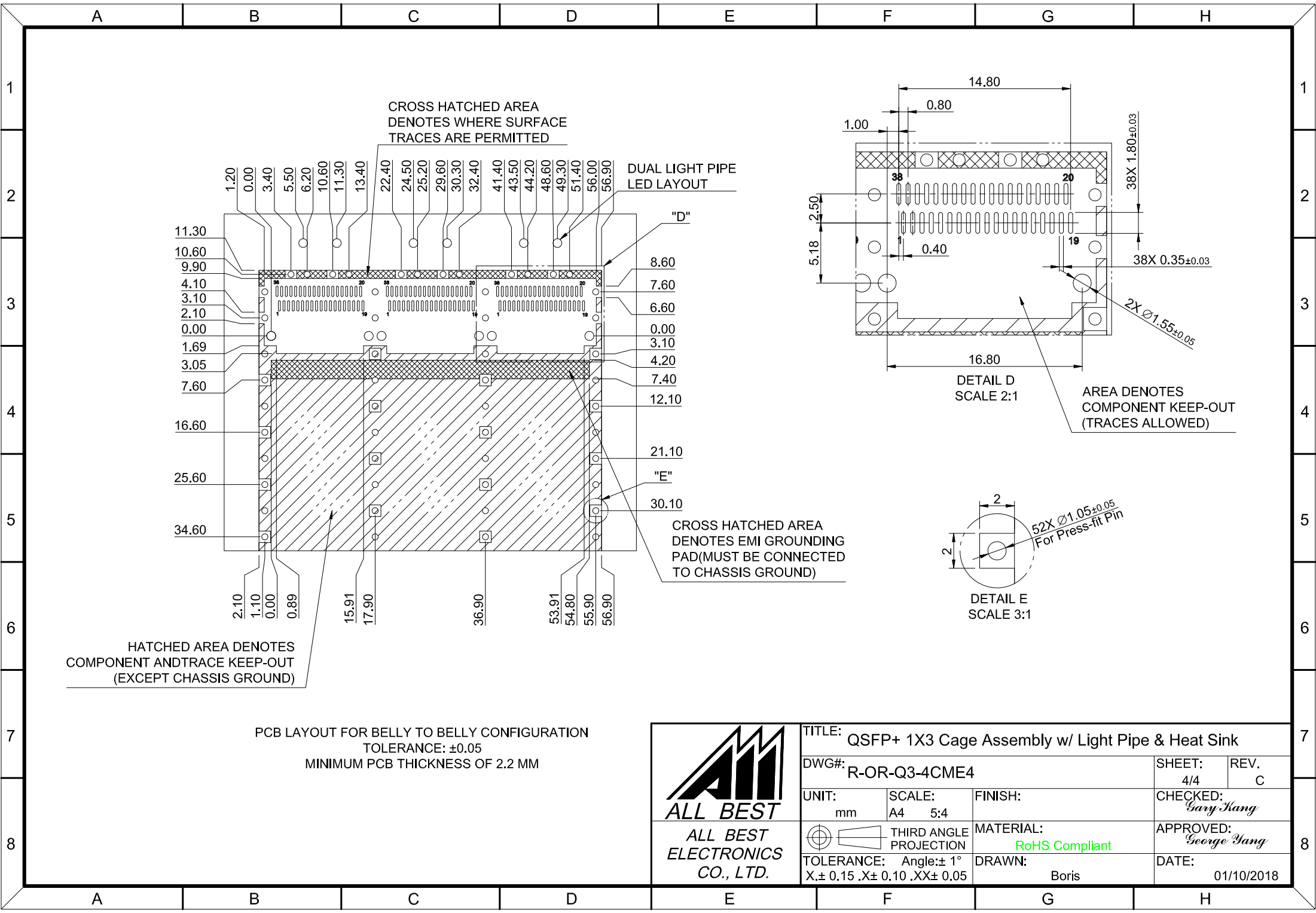
THIRD ANGLE PROJECTION MATERIAL: RoHS Compliant APPROVED: George Yang

TOLERANCE: X.± 0.15 .X± 0.10 .XX± 0.05 DRAWN: Boris DATE: 01/10/2018



PCB LAYOUT FOR SINGLE-SIDE CONFIGURATION
 TOLERANCE: ±0.05
 MINIMUM PCB THICKNESS OF 1.6 MM

 ALL BEST ALL BEST ELECTRONICS CO., LTD.	TITLE: QSFP+ 1X3 Cage Assembly w/ Light Pipe & Heat Sink		SHEET: 3/4		REV. C
	DWG#: R-OR-Q3-4CME4		CHECKED: Gary Kang		APPROVED: George Yang
	UNIT: mm	SCALE: A4 5:4	FINISH:	MATERIAL: RoHS Compliant	
	TOLERANCE: Angle: ±1° X±0.15 .X±0.10 .XX±0.05		DRAWN: Boris	DATE: 01/10/2018	



CROSS HATCHED AREA
DENOTES WHERE SURFACE
TRACES ARE PERMITTED

DUAL LIGHT PIPE
LED LAYOUT

"D"

"E"

CROSS HATCHED AREA
DENOTES EMI GROUNDING
PAD (MUST BE CONNECTED
TO CHASSIS GROUND)



AREA DENOTES
COMPONENT KEEP-OUT
(TRACES ALLOWED)

DETAIL E
SCALE 3:1

52X $\varnothing 1.05 \pm 0.05$
For Press-fit Pin

HATCHED AREA DENOTES
COMPONENT AND TRACE KEEP-OUT
(EXCEPT CHASSIS GROUND)

PCB LAYOUT FOR BELLY TO BELLY CONFIGURATION
TOLERANCE: ± 0.05
MINIMUM PCB THICKNESS OF 2.2 MM

 ALL BEST ELECTRONICS CO., LTD.		TITLE: QSFP+ 1X3 Cage Assembly w/ Light Pipe & Heat Sink	
		DWG#: R-OR-Q3-4CME4	SHEET: 4/4 REV. C
UNIT: mm	SCALE: A4 5:4	FINISH:	CHECKED: Gary Kang
 THIRD ANGLE PROJECTION	TOLERANCE: Angle: $\pm 1^\circ$ $X \pm 0.15$. $X \pm 0.10$. $XX \pm 0.05$	MATERIAL: RoHS Compliant	APPROVED: George Yang
		DRAWN: Boris	DATE: 01/10/2018