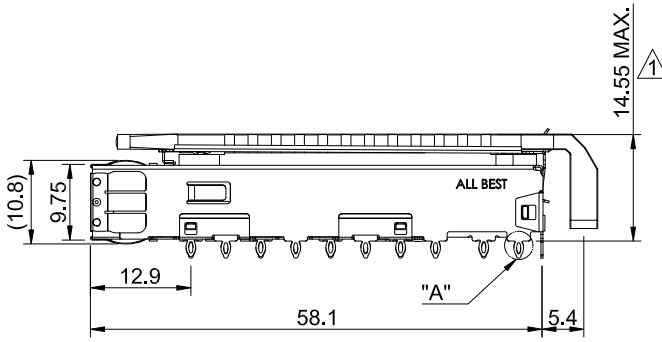
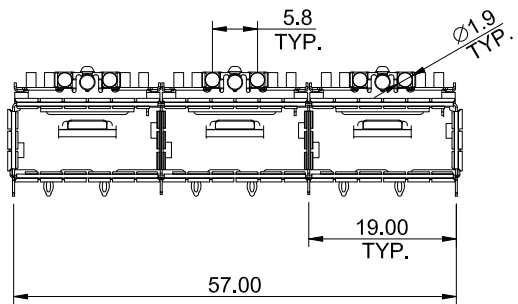
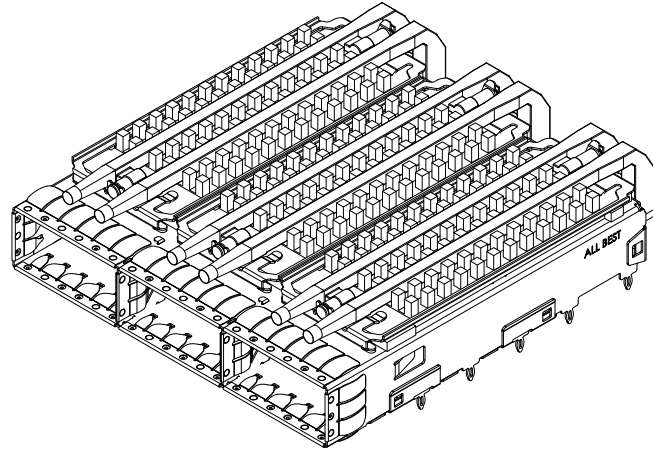


DETAIL A
SCALE 5:1



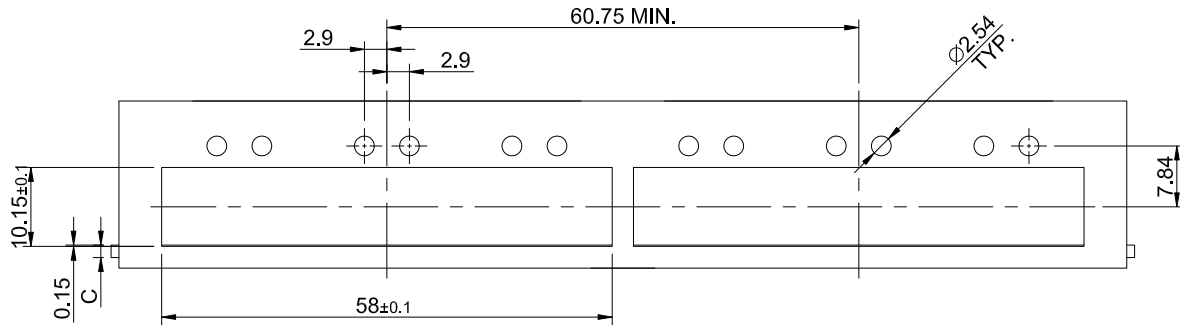
MATERIAL
 CAGE: CAGE SILVER
 HEAT SINK: ALUMINUM
 HEAT SINK CLIP: STAINLESS STEEL
 EMI SPRING: STAINLESS STEEL
 LIGHT PIPE: PC

FINISH
 HEAT SINK: ANODE PROCE

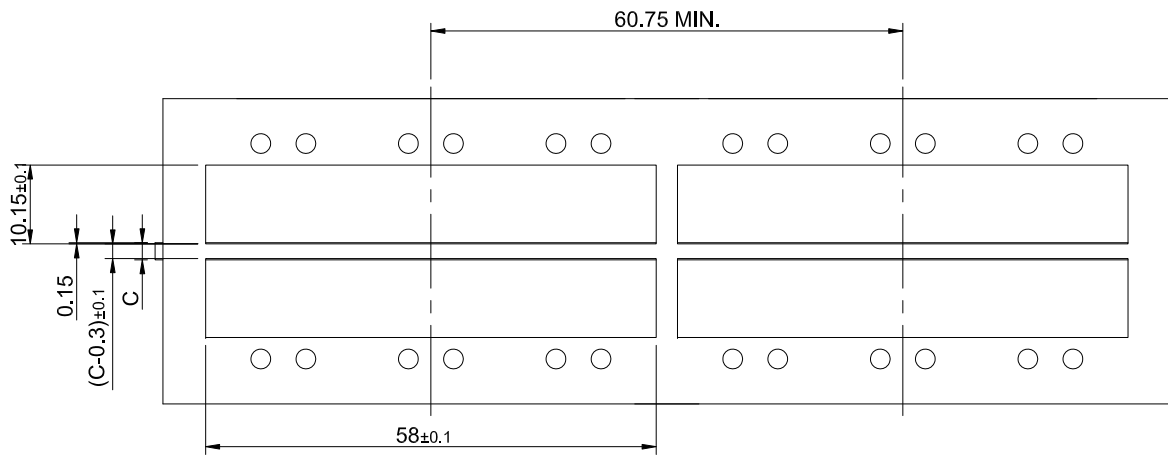
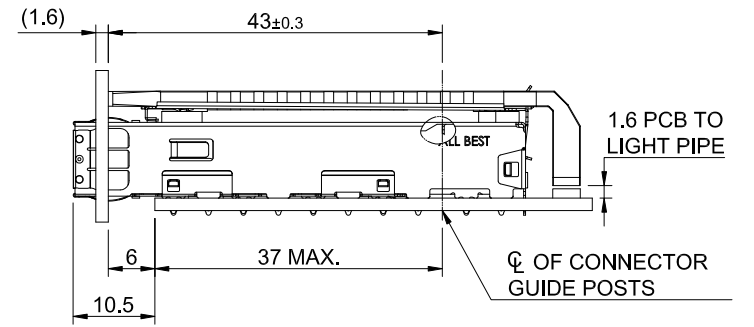
NOTE
 ▲ DIMENSION APPLIES WITH MODULE INSERTED IN CAGE



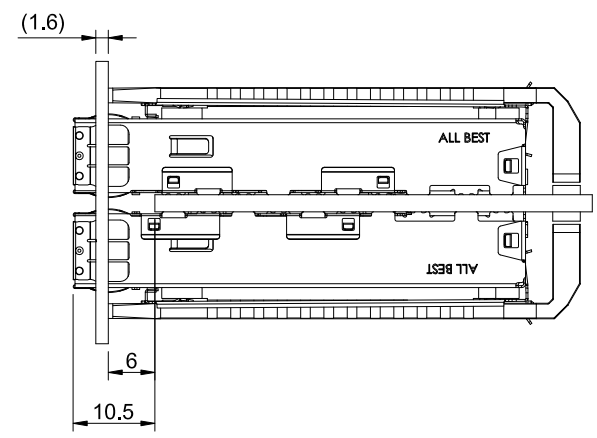
TITLE: QSFP+ 1X3 Cage Assembly w/ Light Pipe & Heat Sink			
DWG#: R-OR-Q3-4CME5		SHEET: 1/4	REV. C
UNIT: mm	SCALE: A4 1:1	FINISH:	CHECKED: Gary Yang
TOLERANCE: X± 0.25 .X± 0.20 .XX± 0.15		MATERIAL: RoHS Compliant	APPROVED: George Yang
THIRD ANGLE PROJECTION		DRAWN: Boris	DATE: 01/12/2018



SINGLE-SIDE CONFIGURATION



BELLY TO BELLY CONFIGURATION



C = THICKNESS OF PC BOARD
 SINGLE-SIDE = 1.6MM (MIN.)
 BELLY TO BELLY = 2.2MM (MIN.)



TITLE: QSFP+ 1X3 Cage Assembly w/ Light Pipe & Heat Sink

DWG#: R-OR-Q3-4CME5

SHEET: 2/4
 REV. C

UNIT: mm
 SCALE: A4 1:1

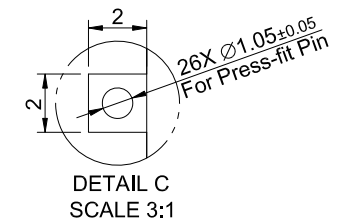
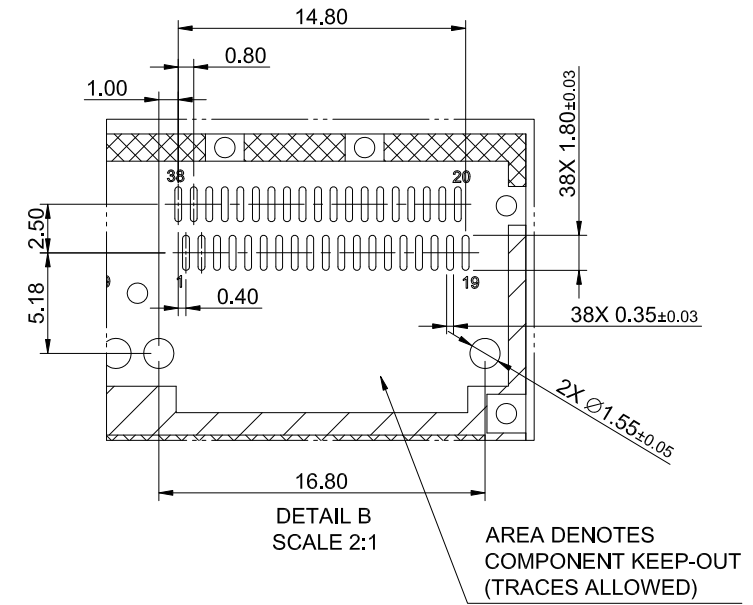
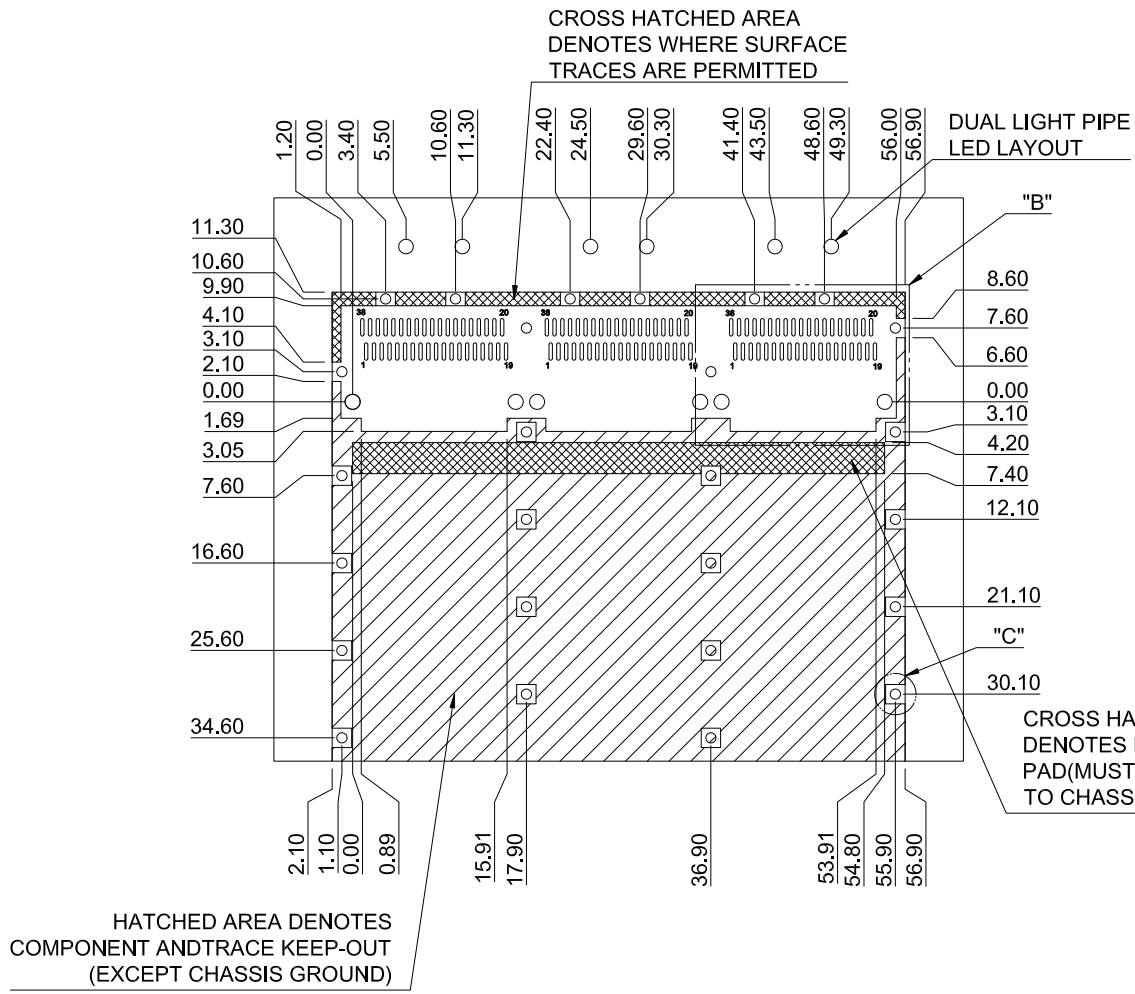
FINISH: CHECKED: Gary Yang

THIRD ANGLE PROJECTION

MATERIAL: RoHS Compliant
 APPROVED: George Yang

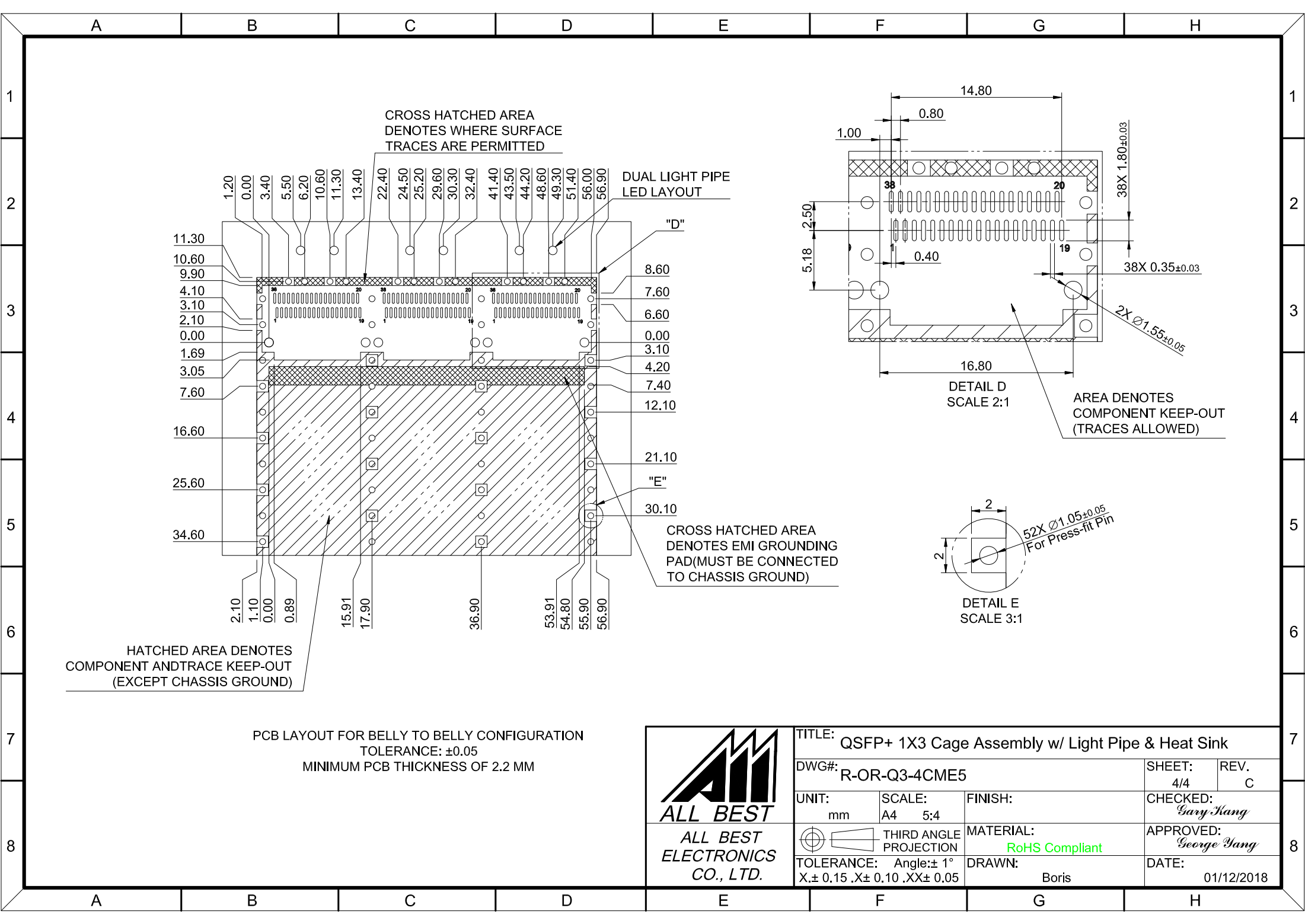
TOLERANCE: Angle: ± 1°
 X.± 0.15 .X± 0.10 .XX± 0.05

DRAWN: Boris
 DATE: 01/12/2018



PCB LAYOUT FOR SINGLE-SIDE CONFIGURATION
 TOLERANCE: ±0.05
 MINIMUM PCB THICKNESS OF 1.6 MM

		TITLE: QSFP+ 1X3 Cage Assembly w/ Light Pipe & Heat Sink	
		DWG#: R-OR-Q3-4CME5	SHEET: 3/4 REV. C
UNIT: mm	SCALE: A4 5:4	FINISH:	CHECKED: Gary Yang
THIRD ANGLE PROJECTION		MATERIAL: RoHS Compliant	APPROVED: George Yang
TOLERANCE: Angle: ±1° X ± 0.15 .X ± 0.10 .XX ± 0.05		DRAWN: Boris	DATE: 01/12/2018



CROSS HATCHED AREA DENOTES WHERE SURFACE TRACES ARE PERMITTED

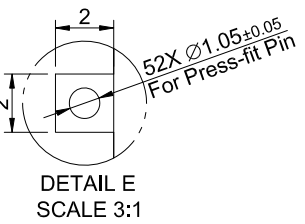
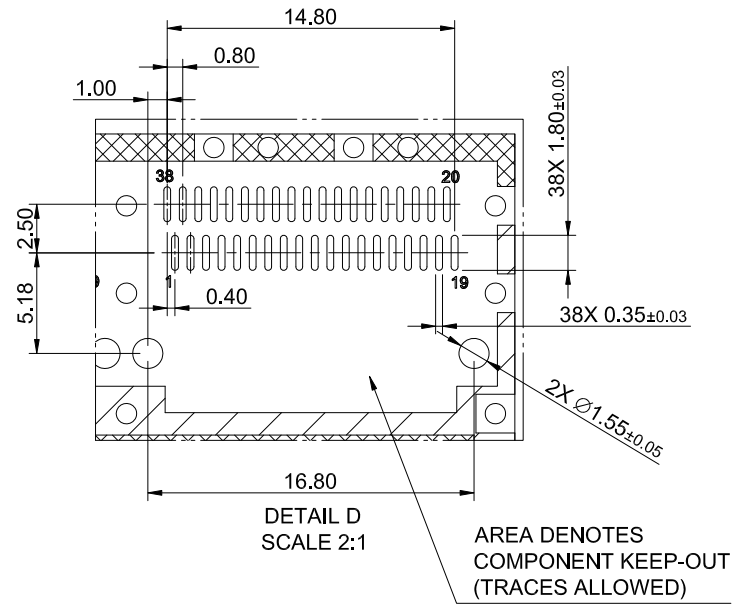
DUAL LIGHT PIPE LED LAYOUT

"D"

"E"

CROSS HATCHED AREA DENOTES EMI GROUNDING PAD (MUST BE CONNECTED TO CHASSIS GROUND)

HATCHED AREA DENOTES COMPONENT AND TRACE KEEP-OUT (EXCEPT CHASSIS GROUND)



PCB LAYOUT FOR BELLY TO BELLY CONFIGURATION
TOLERANCE: ±0.05
MINIMUM PCB THICKNESS OF 2.2 MM



TITLE: QSFP+ 1X3 Cage Assembly w/ Light Pipe & Heat Sink			
DWG#: R-OR-Q3-4CME5		SHEET: 4/4	REV. C
UNIT: mm	SCALE: A4 5:4	FINISH:	CHECKED: Gary Kang
THIRD ANGLE PROJECTION		MATERIAL: RoHS Compliant	APPROVED: George Yang
TOLERANCE: Angle: ± 1° X ± 0.15 .X ± 0.10 .XX ± 0.05		DRAWN: Boris	DATE: 01/12/2018