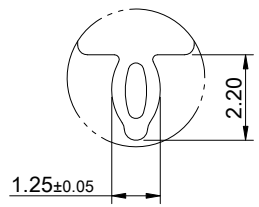
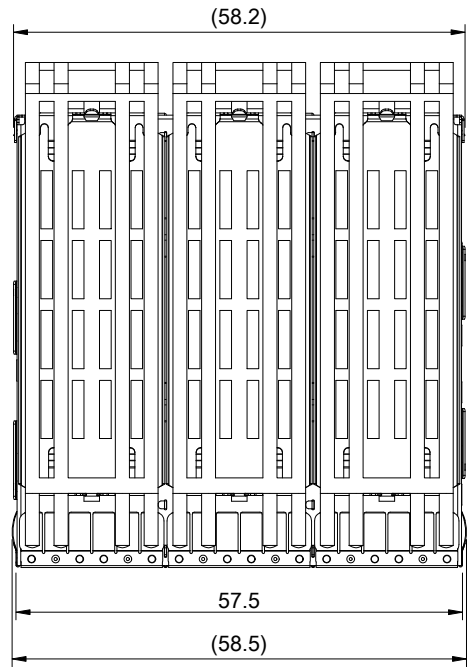
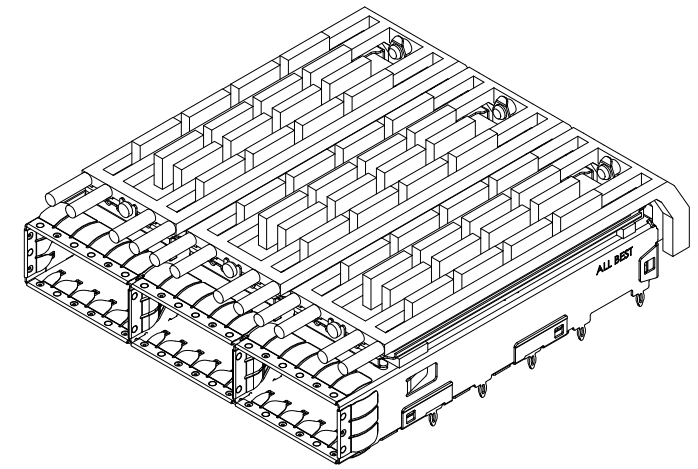


A B C D E F G H

1 2 3 4 5 6 7 8



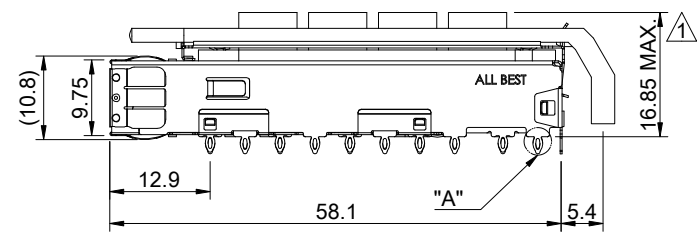
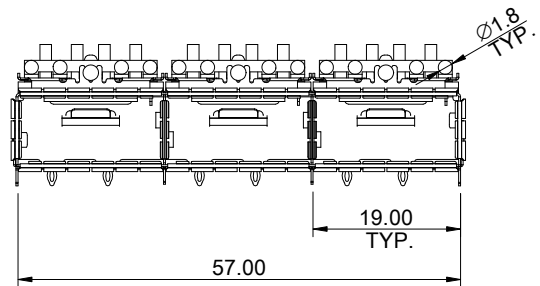
DETAIL A
SCALE 5:1



MATERIAL
 CAGE: NICKEL SILVER
 HEAT SINK: ALUMINUM
 HEAT SINK CLIP: STAINLESS STEEL
 EMI SPRING: STAINLESS STEEL
 LIGHT PIPE: PC

FINISH
 HEAT SINK: ANODE PROCESS

NOTE
 ▲ DIMENSION APPLIES WITH MODULE INSERTED IN CAGE

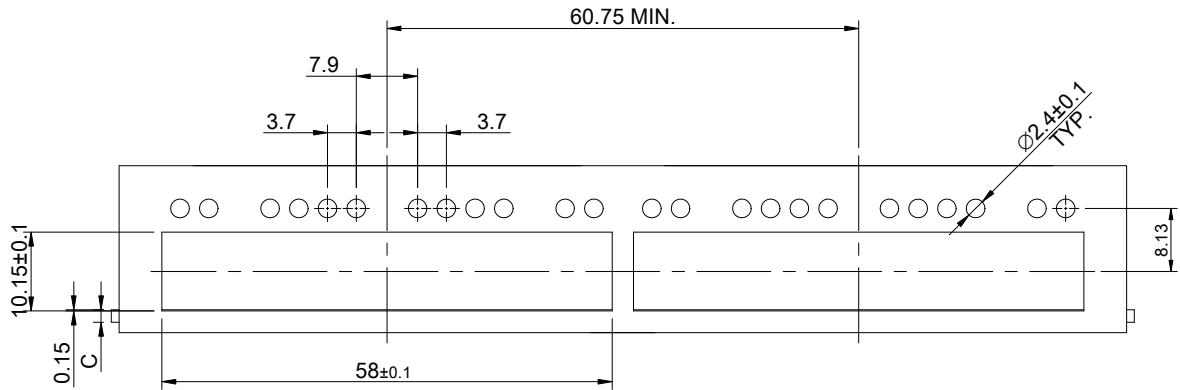


THIS PRINT IS
PRELIMINARY
 UNQUALIFIED PRODUCT
 CONTACT PRODUCT ENGINEERING
 BEFORE USING THIS PRINT

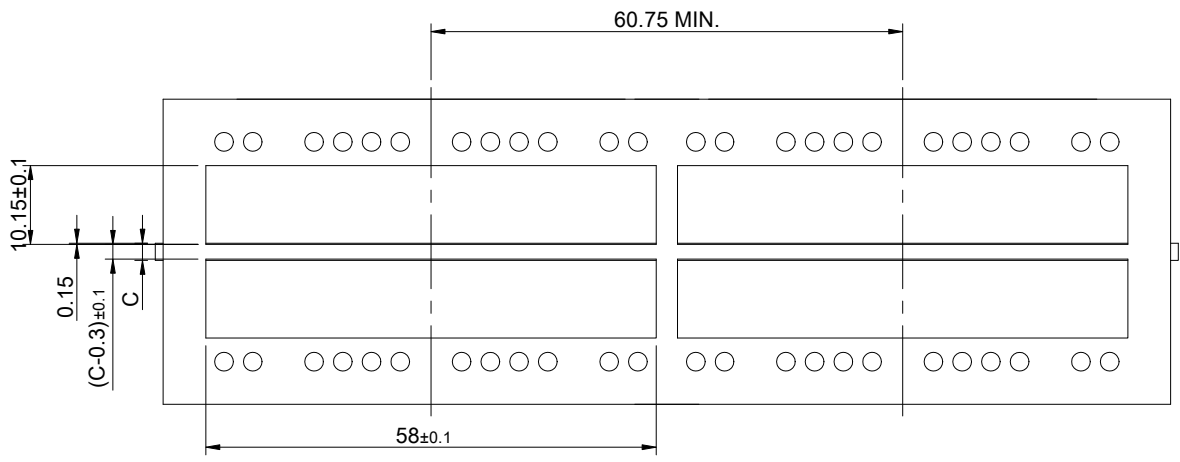
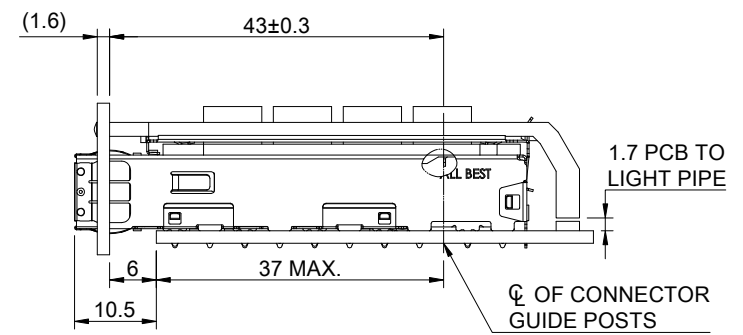


| | | | |
|--|---------------|--------------------------|------------------|
| TITLE: QSFP+ 1X2 Cage Assembly w/ Light Pipe & Heat Sink | | | |
| DWG#: R-OR-Q3-4CMEH | | SHEET: 1/4 | REV. REF |
| UNIT: mm | SCALE: A4 1:1 | FINISH: | CHECKED: |
| TOLERANCE: X± 0.25 .X± 0.20 .XX± 0.15 | | MATERIAL: RoHS Compliant | APPROVED: |
| THIRD ANGLE PROJECTION | | DRAWN: Gary | DATE: 03/15/2024 |

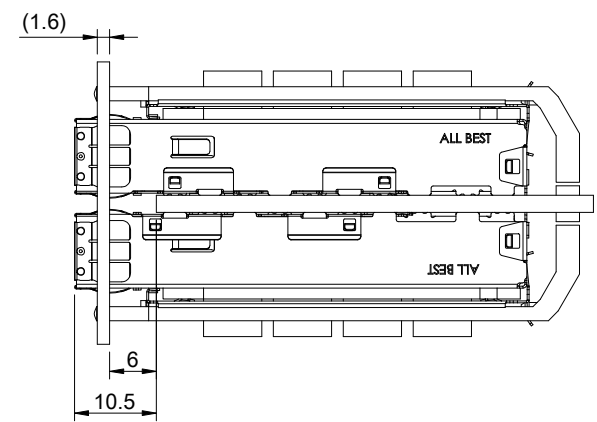
A B C D E F G H



SINGLE-SIDE CONFIGURATION



BELLY TO BELLY CONFIGURATION

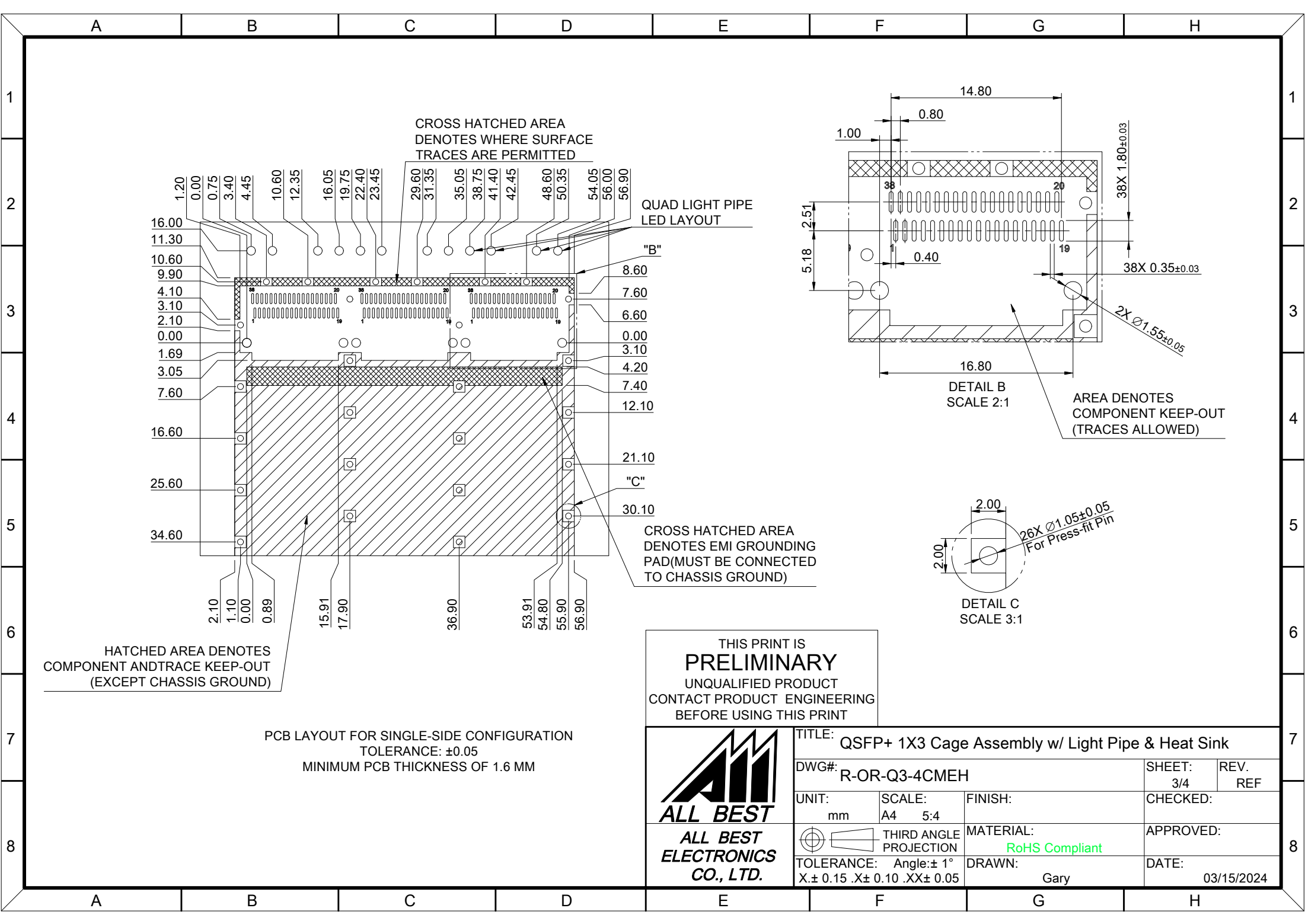


C = THICKNESS OF PC BOARD
 SINGLE-SIDE = 1.6MM (MIN.)
 BELLY TO BELLY = 2.2MM (MIN.)

THIS PRINT IS
PRELIMINARY
 UNQUALIFIED PRODUCT
 CONTACT PRODUCT ENGINEERING
 BEFORE USING THIS PRINT



| | | | |
|--|---------------|--------------------------|------------------|
| TITLE: QSFP+ 1X3 Cage Assembly w/ Light Pipe & Heat Sink | | | |
| DWG#: R-OR-Q3-4CMEH | | SHEET: 2/4 | REV. REF |
| UNIT: mm | SCALE: A4 1:1 | CHECKED: | |
| THIRD ANGLE PROJECTION | | APPROVED: | |
| TOLERANCE: Angle: ± 1° | | MATERIAL: RoHS Compliant | DATE: 03/15/2024 |
| X.± 0.15 .X± 0.10 .XX± 0.05 | | DRAWN: Gary | |



CROSS HATCHED AREA
DENOTES WHERE SURFACE
TRACES ARE PERMITTED

QUAD LIGHT PIPE
LED LAYOUT

"B"

"C"

CROSS HATCHED AREA
DENOTES EMI GROUNDING
PAD (MUST BE CONNECTED
TO CHASSIS GROUND)

AREA DENOTES
COMPONENT KEEP-OUT
(TRACES ALLOWED)

DETAIL C
SCALE 3:1

HATCHED AREA DENOTES
COMPONENT AND TRACE KEEP-OUT
(EXCEPT CHASSIS GROUND)

PCB LAYOUT FOR SINGLE-SIDE CONFIGURATION
TOLERANCE: ±0.05
MINIMUM PCB THICKNESS OF 1.6 MM

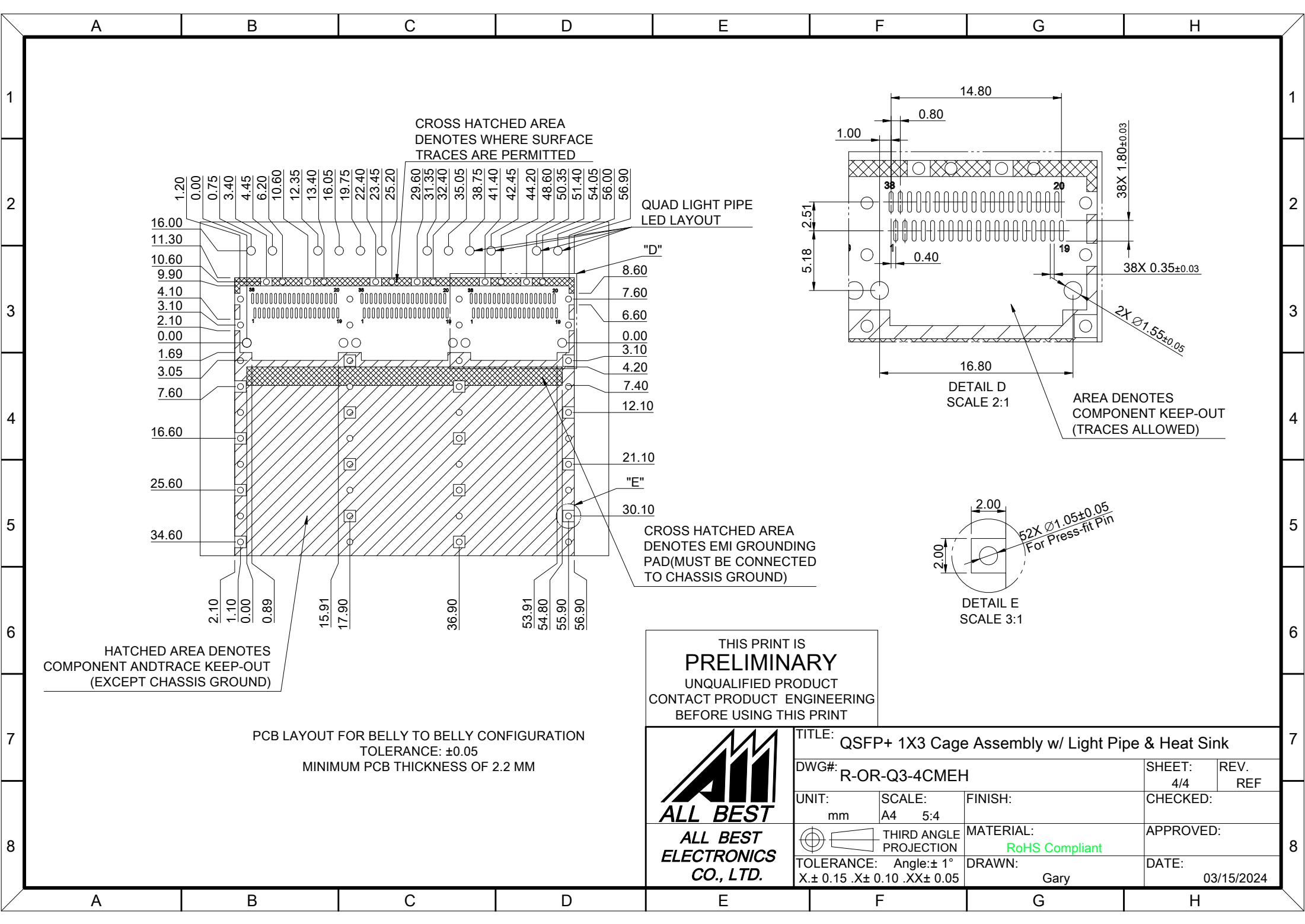
THIS PRINT IS
PRELIMINARY
UNQUALIFIED PRODUCT
CONTACT PRODUCT ENGINEERING
BEFORE USING THIS PRINT



| | | | |
|--|---------------|--------------------------|------------------|
| TITLE: QSFP+ 1X3 Cage Assembly w/ Light Pipe & Heat Sink | | | |
| DWG#: R-OR-Q3-4CMEH | | SHEET: 3/4 | REV. REF |
| UNIT: mm | SCALE: A4 5:4 | FINISH: | |
| THIRD ANGLE PROJECTION | | MATERIAL: RoHS Compliant | |
| TOLERANCE: Angle: ± 1° X ± 0.15 .X ± 0.10 .XX ± 0.05 | | DRAWN: Gary | DATE: 03/15/2024 |


CHECKED:

APPROVED:



PCB LAYOUT FOR BELLY TO BELLY CONFIGURATION
 TOLERANCE: ± 0.05
 MINIMUM PCB THICKNESS OF 2.2 MM

THIS PRINT IS
PRELIMINARY
 UNQUALIFIED PRODUCT
 CONTACT PRODUCT ENGINEERING
 BEFORE USING THIS PRINT

| | | | | | |
|--|---|----------------------|--------------------|---------------------------------|------------------|
|  <p>ALL BEST ELECTRONICS CO., LTD.</p> | TITLE: QSFP+ 1X3 Cage Assembly w/ Light Pipe & Heat Sink | | SHEET: 4/4 | | REV. REF |
| | DWG#: R-OR-Q3-4CMEH | | CHECKED: | | APPROVED: |
| | UNIT: mm | SCALE: A4 5:4 | FINISH: | MATERIAL: RoHS Compliant | |
| | TOLERANCE: Angle: $\pm 1^\circ$ $X \pm 0.15 .X \pm 0.10 .XX \pm 0.05$ | | DRAWN: Gary | DATE: 03/15/2024 | |