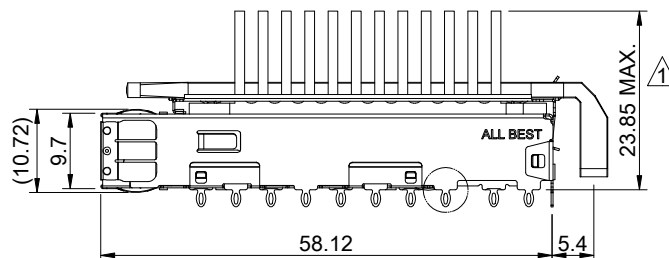
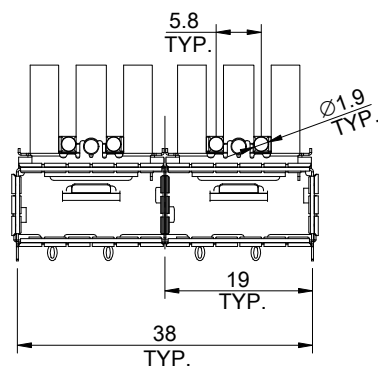
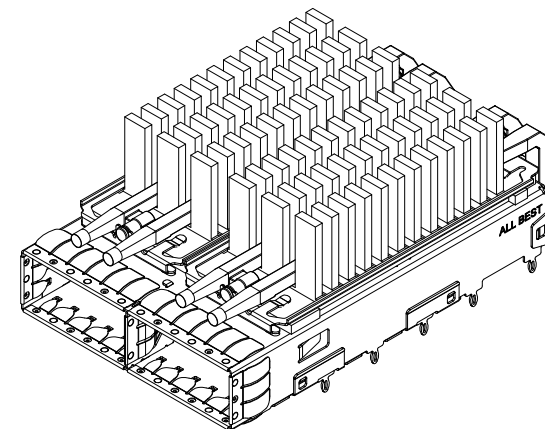


DETAIL A
SCALE 5 : 1



MATERIAL
 CAGE: NICKEL SILVER
 HEAT SINK: ALUMINUM
 LIGHT PIPE CLIP: STAINLESS STEEL
 EMI SPRING: STAINLESS STEEL
 LIGHT PIPE: PC

FINISH
 HEAT SINK: ANODE PROCESS

NOTE
 ▲ DIMENSION APPLIES WITH MODULE INSERTED IN CAGE

THIS PRINT IS
PRELIMINARY
 UNQUALIFIED PRODUCT
 CONTACT PRODUCT ENGINEERING
 BEFORE USING THIS PRINT



TITLE: QSFP+ 1X2 Cage Assbmbly w/ Light Pipe & Heat Sink			
DWG#: R-OR-Q2-4CME3		SHEET: 1/4	REV. REF
UNIT: mm	SCALE: A4 1:1	CHECKED:	
TOLERANCE: Angle: ± 1° X ± 0.25 .X ± 0.20 .XX ± 0.15		MATERIAL: RoHS Compliant	APPROVED:
THIRD ANGLE PROJECTION		DRAWN: Gary	DATE: 03/15/2024

A B C D E F G H

1

1

2

2

3

3

4

4

5

5

6

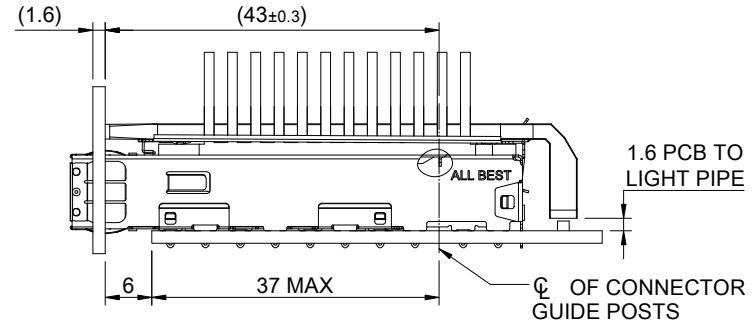
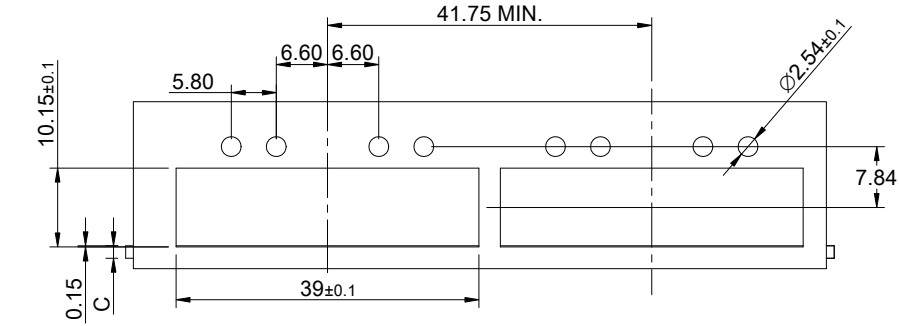
6

7

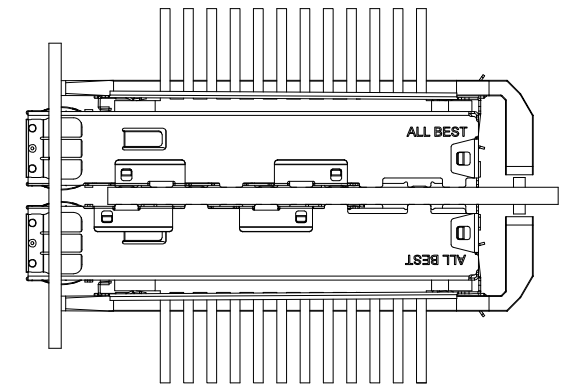
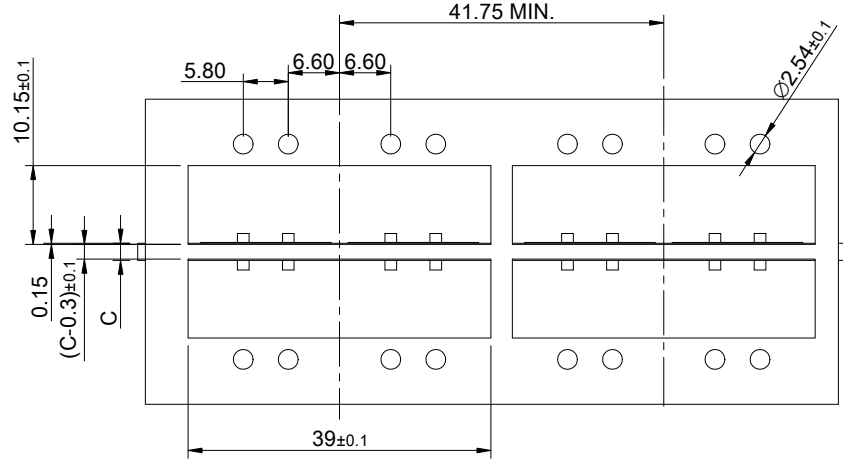
7

8

8



ONE SIDED CONFIGURATION



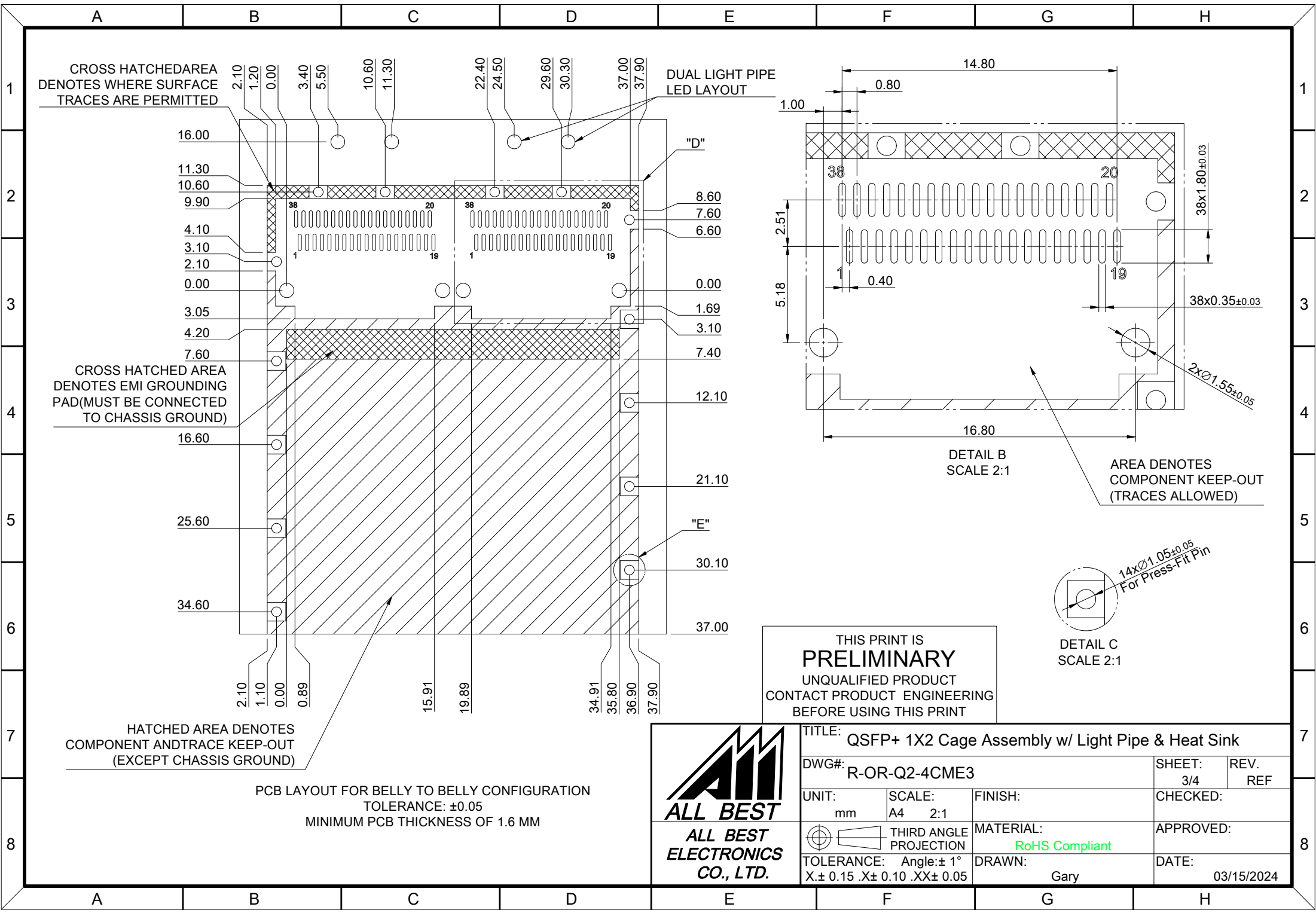
BELLY TO BELLY CONFIGURATION

C=THICKNESS OF PC BOARD
 SINGLE SIDED=1.6MM(MIN)
 DOUBLE SIDE=2.2MM(MIN)

THIS PRINT IS PRELIMINARY
 UNQUALIFIED PRODUCT
 CONTACT PRODUCT ENGINEERING
 BEFORE USING THIS PRINT

	TITLE: QSFP+ 1X2 Cage Assbmbly w/ Light Pipe & Heat Sink			SHEET: 2/4		REV. REF	
	DWG#: R-OR-Q2-4CME3			CHECKED:		APPROVED:	
	UNIT: mm	SCALE: A4 1:1	FINISH:		MATERIAL: RoHS Compliant		DATE: 03/15/2024
	TOLERANCE: X± 0.15 .X± 0.10 .XX± 0.05		THIRD ANGLE PROJECTION	DRAWN: Gary			

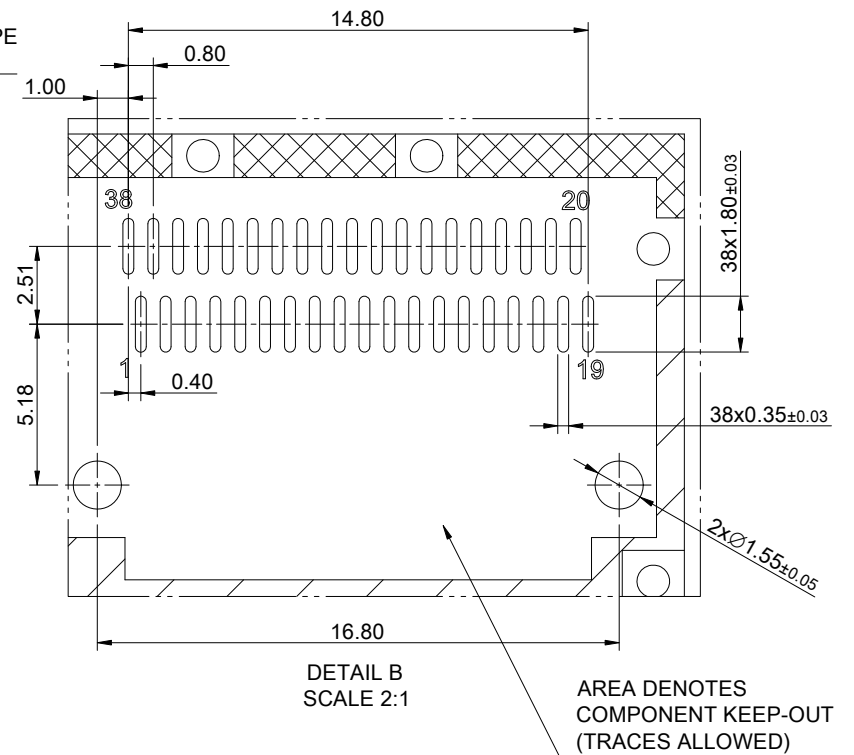
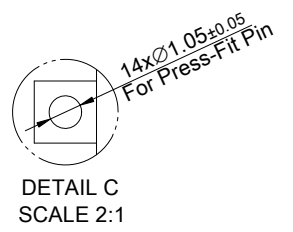
A B C D E F G H

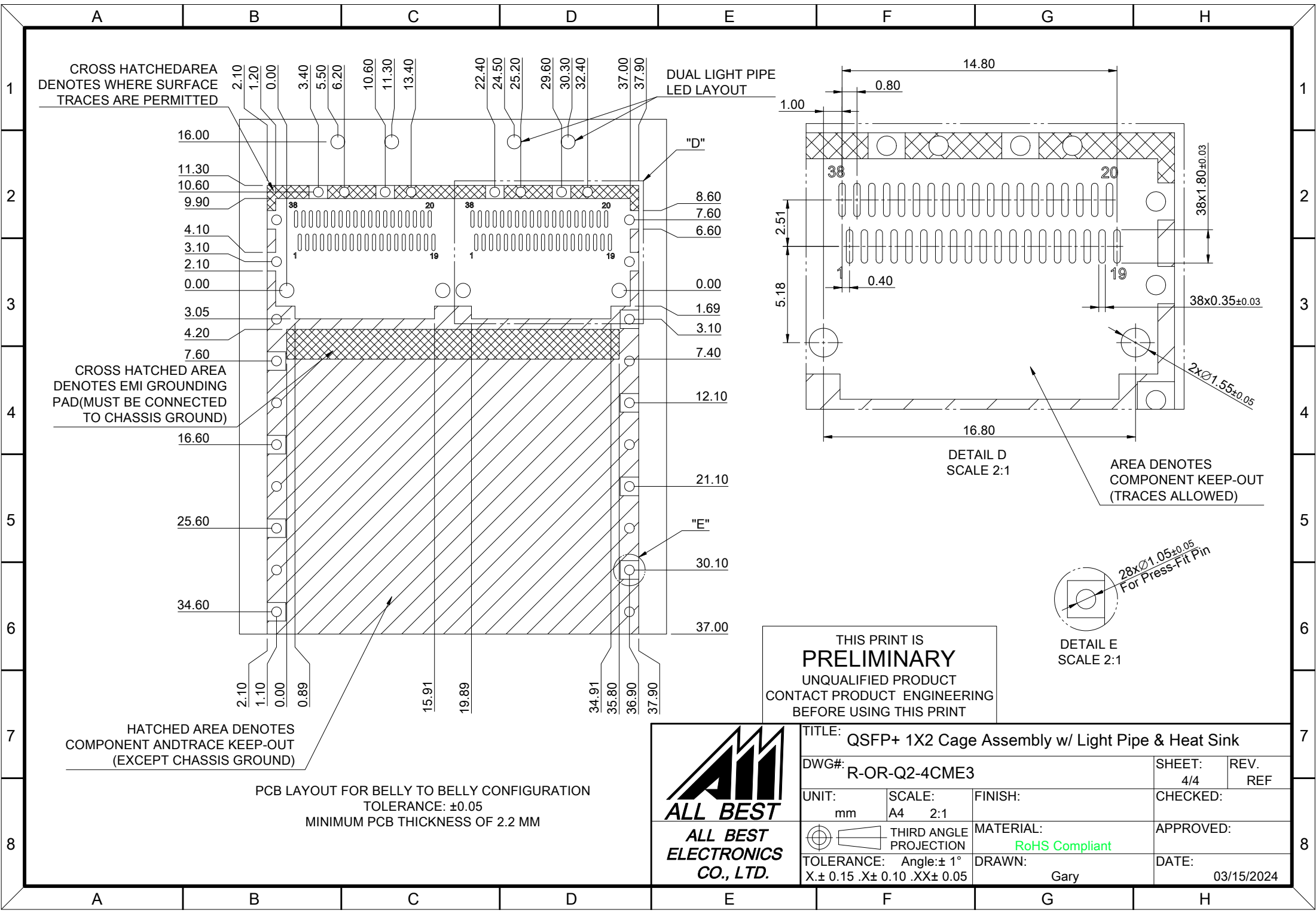


THIS PRINT IS
PRELIMINARY
UNQUALIFIED PRODUCT
CONTACT PRODUCT ENGINEERING
BEFORE USING THIS PRINT



TITLE: QSFP+ 1X2 Cage Assembly w/ Light Pipe & Heat Sink			
DWG#: R-OR-Q2-4CME3		SHEET: 3/4	REV. REF
UNIT: mm	SCALE: A4 2:1	FINISH:	CHECKED:
THIRD ANGLE PROJECTION		MATERIAL: RoHS Compliant	APPROVED:
TOLERANCE: Angle: ± 1° X ± 0.15 .X ± 0.10 .XX ± 0.05		DRAWN: Gary	DATE: 03/15/2024





THIS PRINT IS
PRELIMINARY
UNQUALIFIED PRODUCT
CONTACT PRODUCT ENGINEERING
BEFORE USING THIS PRINT



TITLE: QSFP+ 1X2 Cage Assembly w/ Light Pipe & Heat Sink			
DWG#: R-OR-Q2-4CME3		SHEET: 4/4	REV. REF
UNIT: mm	SCALE: A4 2:1	CHECKED:	
TOLERANCE: Angle: ± 1° X ± 0.15 .X ± 0.10 .XX ± 0.05		MATERIAL: RoHS Compliant	APPROVED:
DRAWN: Gary		DATE: 03/15/2024	

