

MATERIALS
 CONTACTS: COPPER ALLOY
 INSULATOR: THERMOPLASTIC 94V-0 (BLACK)

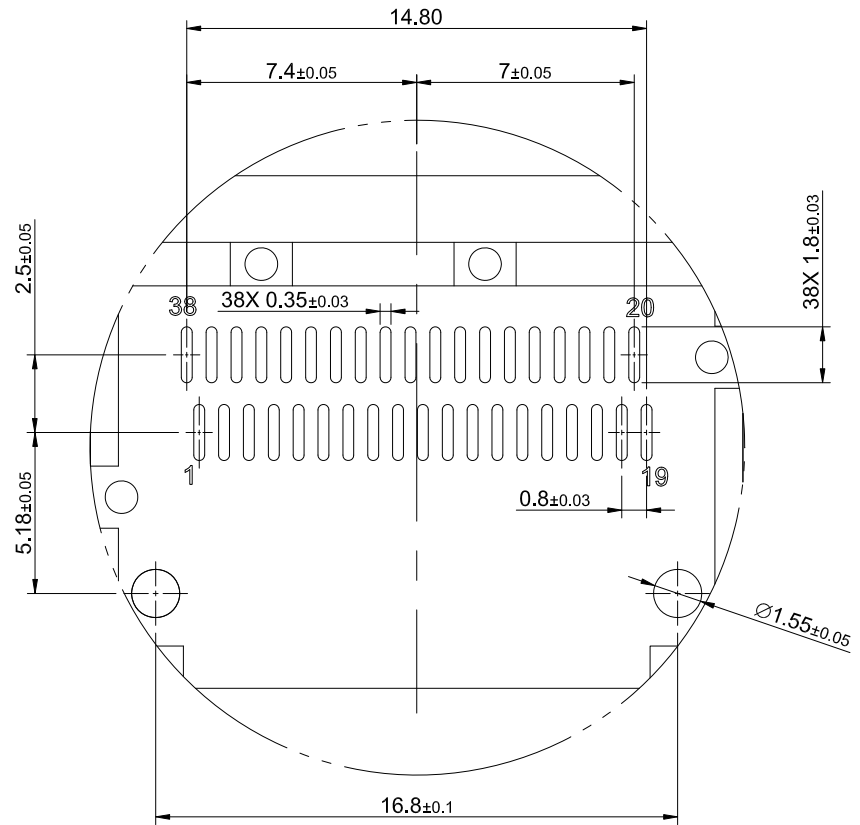
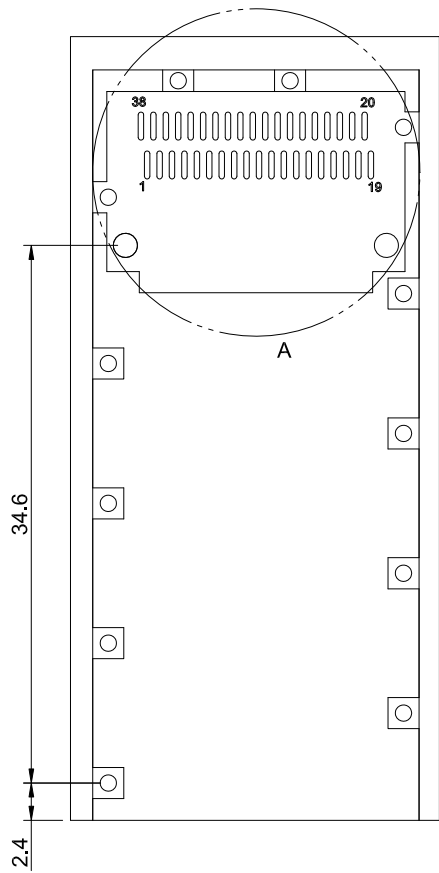
FINISHES
 CONTACT: 15µ" MIN. GOLD ON MATING END;
 MATTE TIN ON TERMINATION END;
 ALL UNDERPLATED NICKEL

ELECTRICAL CHARACTERISTICS
 CONTACT CURRENT RATING: 0.5AMPERE
 VOLTAGE RATING: 30VAC
 CONTACT RESISTANCE: 40 MILLOHMS MAX
 DIELECTRIC WITHSTANDING VOLTAGE: 300VDC

ENVIRONMENT
 OPERATION TEMPERATURE: -20° C TO 85° C
 SMT TEMPERATURE: 260° C



TITLE: QSFP+ 38Pin SMT Connector For One LANE 10 Gbs			
DWG#: R-CT-Q1-9CX2		SHEET: 1/2	REV. E
UNIT: mm	SCALE: A4 4:1	CHECKED: Gary Yang	
TOLERANCE: Angle: ± 1° X. ± 0.25 .X ± 0.20 .XX ± 0.15		MATERIAL: RoHS Compliant	APPROVED: George Yang
THIRD ANGLE PROJECTION		DRAWN: Boris	DATE: 01/10/2017



DETAIL A
SCALE 2:1



ALL BEST
ELECTRONICS
CO., LTD.

TITLE: QSFP+ 38Pin SMT Connector For One LANE 10 Gbs

DWG#: R-CT-Q1-9CX2

SHEET: 2/2
REV. E

UNIT: mm
SCALE: A4 2:1

FINISH: CHECKED: Gary Heng

THIRD ANGLE PROJECTION

MATERIAL: RoHS Compliant
APPROVED: George Yang

TOLERANCE: Angle:± 1°
X.± 0.15 .X± 0.10 .XX± 0.05

DRAWN: Boris
DATE: 01/10/2017