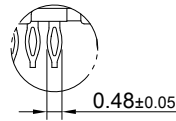
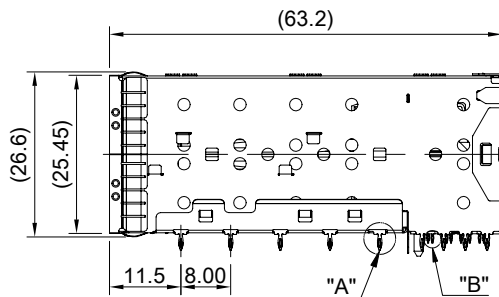
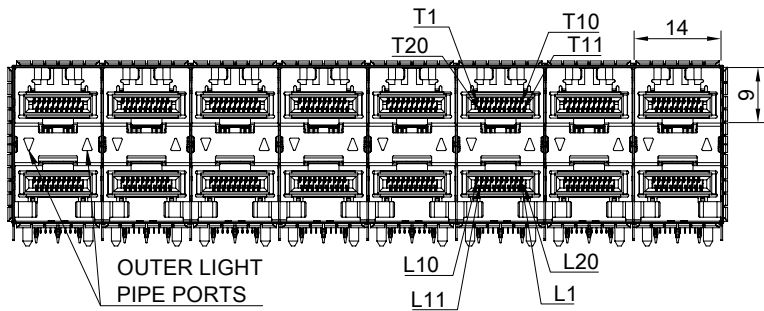
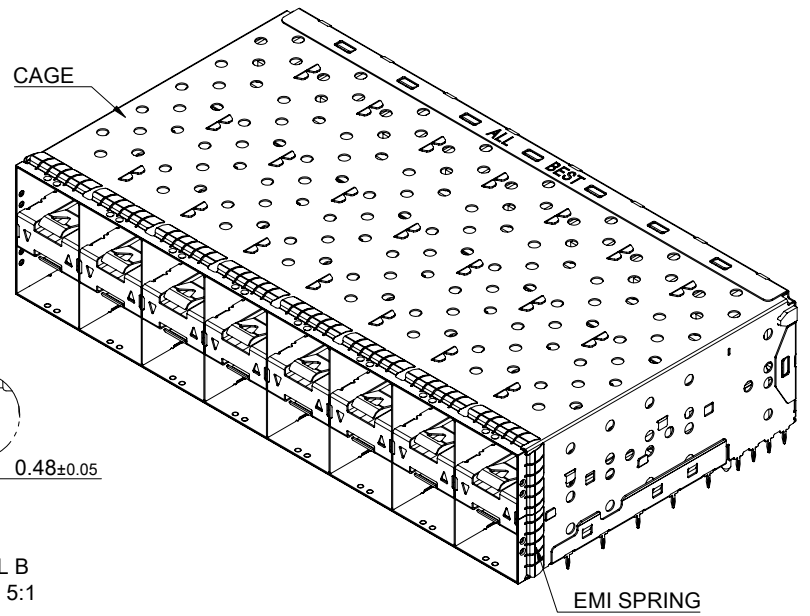


DETAIL A
SCALE 5:1



DETAIL B
SCALE 5:1



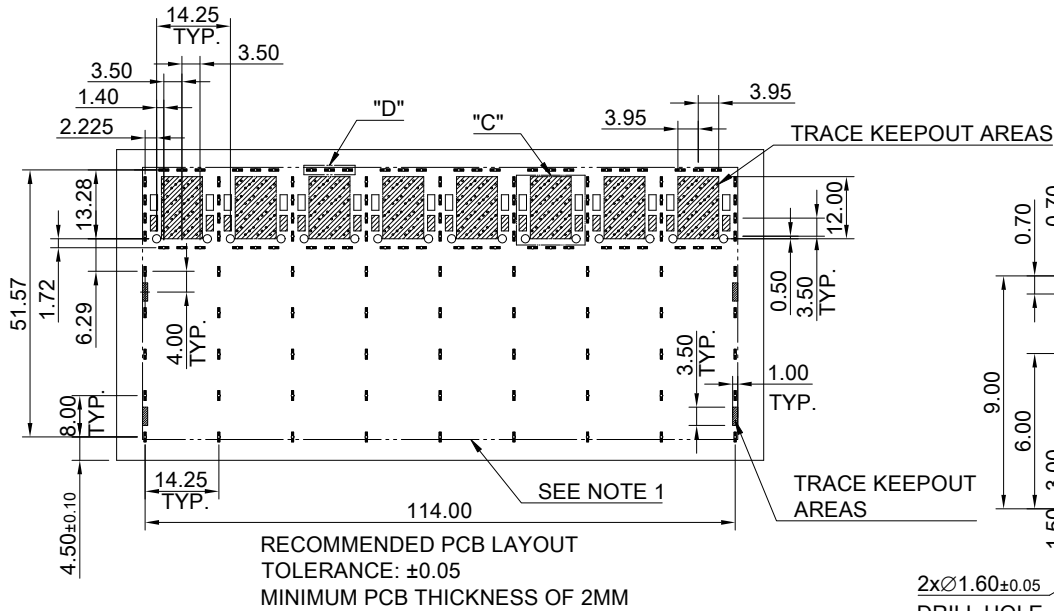
MATERIAL
 CAGE: NICKEL SILVER
 CONNECTOR HOUSING: THERMOPLASTIC, UL 94V-0
 CONNECTOR HOUSING SHIELD: STAINLESS STEEL
 INSULATOR COLOR: DEEP GRAY
 CONTACTS: COPPER ALLOY
 EMI SPRING: STAINLESS STEEL
 LIGHT PIPE: PC (CLEAR)

FINISH
 CONTACT: 15µ" MIN. GOLD ON MATING END;
 30µ" MIN. MATTE TIN ON TERMINATION END;
 ALL UNDERPLATED 50µ" MIN. NICKEL

ELECTRICAL CHARACTERISTICS
 CONTACT CURRENT RATING: 0.5 AMPERE
 DIELECTRIC WITHSTANDING VOLTAGE: 300 VAC
 VOLTAGE RATING: 30 VAC
 CONTACT RESISTANCE: 80 mΩ MAX

 ALL BEST ELECTRONICS CO., LTD.	TITLE: Stacked SFP56 2X8 ASS'Y w/ Light Pipe		SHEET: 1/2	REV. REF
	DWG#: R-OP-0562X8-PP-F-N3-01-OU		CHECKED:	APPROVED:
UNIT: mm	SCALE: A4 1:1	FINISH:	DATE: 03/26/2024	
TOLERANCE: X±0.25 .X±0.20 .XX±0.15		MATERIAL: RoHS Compliant	DRAWN: Tony	
THIRD ANGLE PROJECTION		DATE: 03/26/2024		

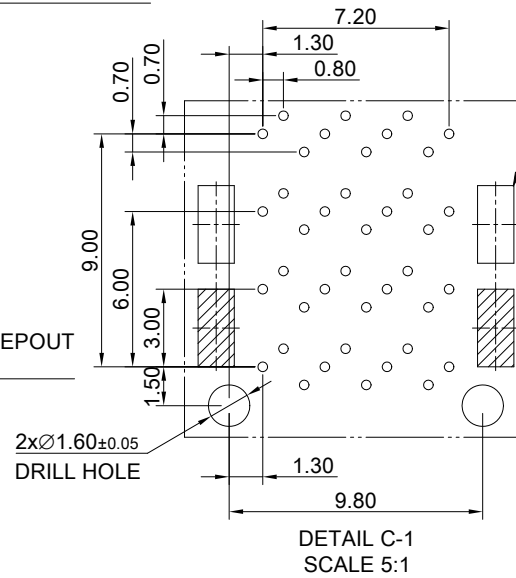
THIS PRINT IS
 PRELIMINARY
 UNQUALIFIED PRODUCT
 CONTACT PRODUCT ENGINEERING
 BEFORE USING THIS PRINT



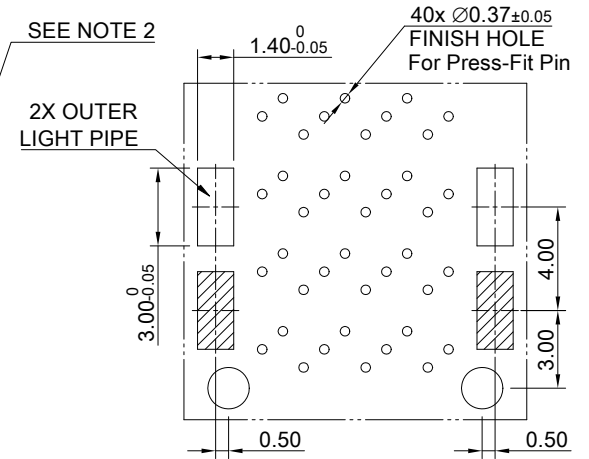
RECOMMENDED PCB LAYOUT
TOLERANCE: ±0.05
MINIMUM PCB THICKNESS OF 2MM

NOTE :

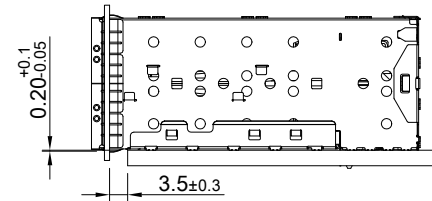
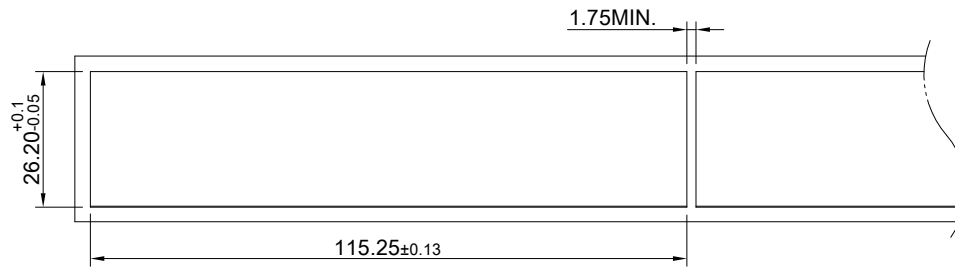
- 1.)THE ENTIRE AREA OF THE CONNECTOR FOOTPRINT, INDICATED BY THE DASHED LINE, TO BE CONSIDERED THE KEEPOUT AREA FOR COMPONENTS AND SIGNAL TRACES, TOP SIDE ONLY, TOP SIDE TRACES ALLOWED WITHIN CONNECTOR HOLE PATTERN.
- 2.)LIGHT PIPE PAD LAYOUT IS FOR 0805 LOW PROFILE LED PACKAGE WITH A HEIGHT OF 0.8mm



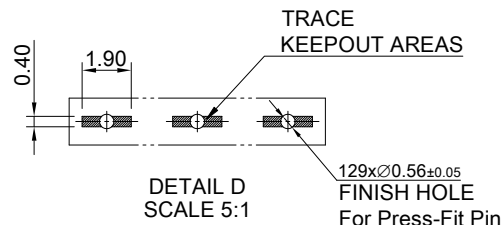
DETAIL C-1
SCALE 5:1



DETAIL C-2
SCALE 5:1



T19 ○	T16 ○	T13 ○
T20 ○	T17 ○	T14 ○
T18 ○	T15 ○	T12 ○
T2 ○	T5 ○	T8 ○
T1 ○	T4 ○	T7 ○
T3 ○	T6 ○	T9 ○
L9 ○	L6 ○	L3 ○
L10 ○	L7 ○	L4 ○
L8 ○	L5 ○	L2 ○
L12 ○	L15 ○	L18 ○
L11 ○	L14 ○	L17 ○
L13 ○	L16 ○	L19 ○



DETAIL D
SCALE 5:1

THIS PRINT IS
PRELIMINARY
UNQUALIFIED PRODUCT
CONTACT PRODUCT ENGINEERING
BEFORE USING THIS PRINT



TITLE: Stacked SFP56 2X8 ASS'Y w/ Light Pipe

DWG#: R-OP-0562X8-PP-F-N3-01-OU

UNIT: mm

SCALE: A4 1:1

FINISH: RoHS Compliant

SHEET: 2/2
REV. REF

THIRD ANGLE PROJECTION

MATERIAL: RoHS Compliant

CHECKED:

TOLERANCE: Angle: ± 1°
X ± 0.15 .X ± 0.10 .XX ± 0.05

DRAWN: Tony

APPROVED:
DATE: 03/26/2024