

MATERIAL  
 CAGE: NICKEL SILVER  
 CONNECTOR HOUSING: THERMOPLASTIC, UL 94V-0  
 CONNECTOR HOUSING SHIELD: STAINLESS STEEL  
 INSULATOR COLOR: DEEP GRAY  
 CONTACTS: COPPER ALLOY  
 EMI SPRING: STAINLESS STEEL  
 LIGHT PIPE: PC (CLEAR)

FINISH  
 CONTACT: 15µ" MIN. GOLD ON MATING END;  
 30µ" MIN. MATTE TIN ON TERMINATION END;  
 ALL UNDERPLATED 50µ" MIN. NICKEL

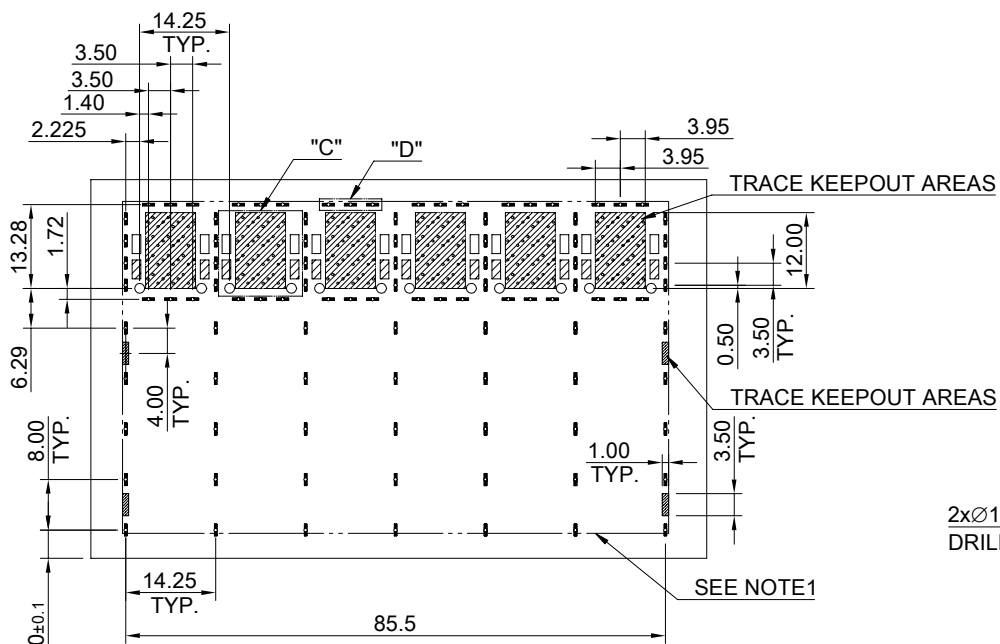
ELECTRICAL CHARACTERISTICS  
 CONTACT CURRENT RATING: 0.5 AMPERE  
 DIELECTRIC WITHSTANDING VOLTAGE: 300 VAC  
 VOLTAGE RATING: 30 VAC



THIS PRINT IS  
 PRELIMINARY  
 UNQUALIFIED PRODUCT  
 CONTACT PRODUCT ENGINEERING  
 BEFORE USING THIS PRINT

TITLE: Stacked SFP56 2X6 ASS'Y w/ Light Pipe		SHEET: 1/2	REV. REF
DWG#: R-OP-0562X6-PP-F-N3-01-OU		CHECKED:	APPROVED:
UNIT: mm	SCALE: A4 4:5	MATERIAL: RoHS Compliant	
THIRD ANGLE PROJECTION		DRAWN: Tony	
TOLERANCE: Angle: ± 1° X ± 0.25 .X ± 0.20 .XX ± 0.15		DATE: 03/26/2024	

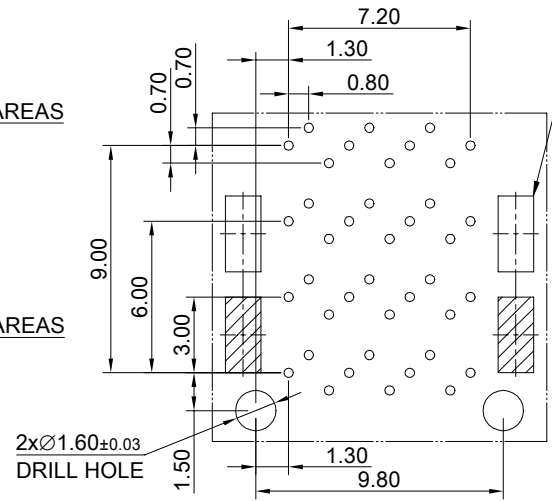
CONTACT RESISTANCE: 80 mΩ MAX



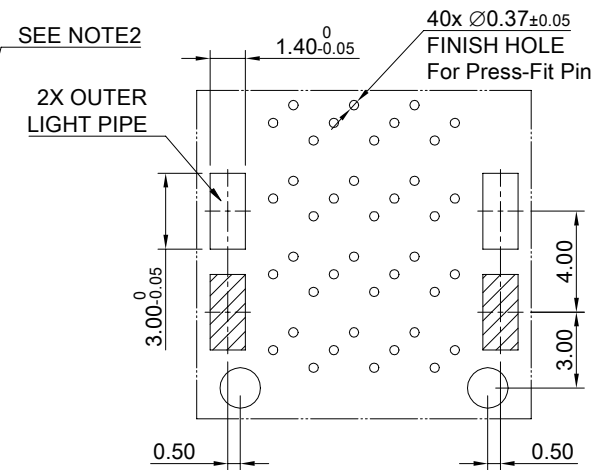
RECOMMENDED PCB LAYOUT  
TOLERANCE: ±0.05  
MINIMUM PCB THICKNESS OF 2MM

NOTE :

- 1.)THE ENTIRE AREA OF THE CONNECTOR FOOTPRINT, INDICATED BY THE DASHED LINE, TO BE CONSIDERED THE KEEPOUT AREA FOR COMPONENTS AND SIGNAL TRACES, TOP SIDE ONLY, TOP SIDE TRACES ALLOWED WITHIN CONNECTOR HOLE PATTERN.
- 2.)LIGHT PIPE PAD LAYOUT IS FOR 0805 LOW PROFILE LED PACKAGE WITH A HEIGHT OF 0.8mm

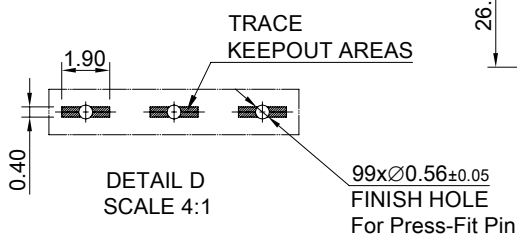


DETAIL C-1  
SCALE 4:1



DETAIL C-2  
SCALE 4:1

- T19 ○ T16 ○ T13 ○
- T20 ○ T17 ○ T14 ○ T11 ○
- T18 ○ T15 ○ T12 ○
- T2 ○ T5 ○ T8 ○
- T1 ○ T4 ○ T7 ○ T10 ○
- T3 ○ T6 ○ T9 ○
- L9 ○ L6 ○ L3 ○
- L10 ○ L7 ○ L4 ○ L1 ○
- L8 ○ L5 ○ L2 ○
- L12 ○ L15 ○ L18 ○
- L11 ○ L14 ○ L17 ○ L20 ○
- L13 ○ L16 ○ L19 ○



DETAIL D  
SCALE 4:1

THIS PRINT IS  
PRELIMINARY  
UNQUALIFIED PRODUCT  
CONTACT PRODUCT ENGINEERING  
BEFORE USING THIS PRINT



TITLE: Stacked SFP56 2X6 ASS'Y w/ Light Pipe			
DWG#: R-OP-0562X6-PP-F-N3-01-OU		SHEET: 2/2	REV. REF
UNIT: mm	SCALE: A4 4:5	FINISH: CHECKED:	
TOLERANCE: Angle:± 1° X± 0.15 .X± 0.10 .XX± 0.05		MATERIAL: RoHS Compliant	APPROVED:
		DRAWN: Tony	DATE: 03/26/2024