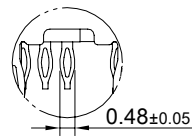
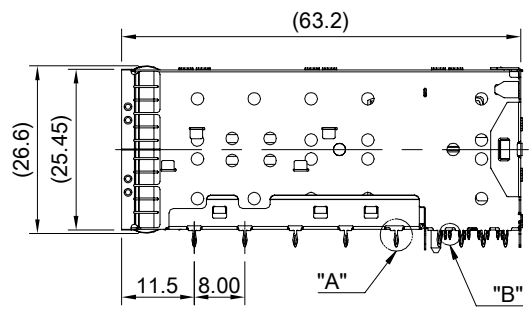
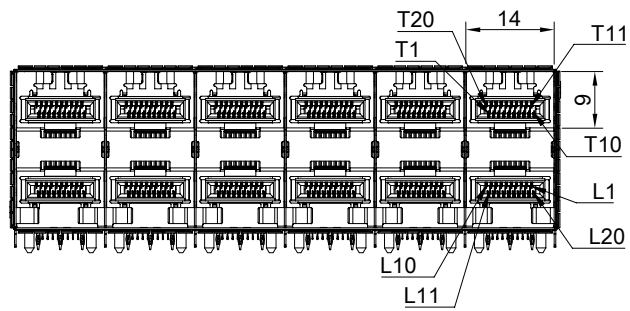
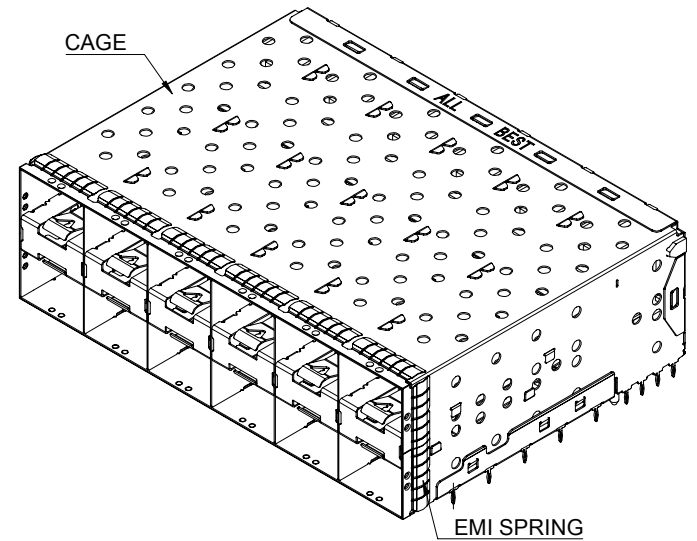


DETAIL A  
SCALE 5:1



DETAIL B  
SCALE 5:1



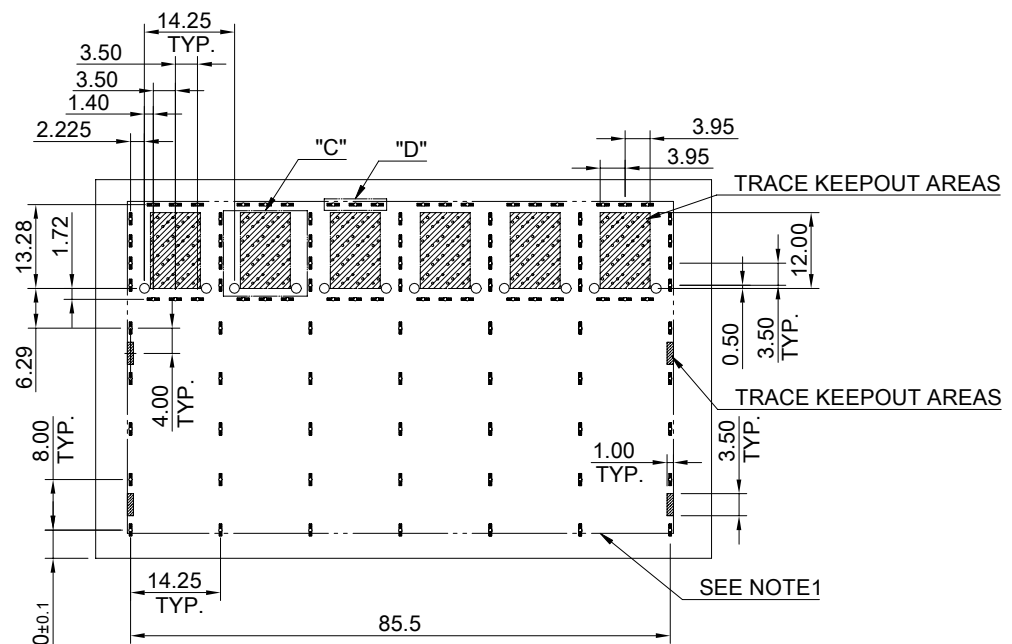
**MATERIAL**  
 CAGE: NICKEL SILVER  
 CONNECTOR HOUSING: THERMOPLASTIC, UL 94V-0  
 CONNECTOR HOUSING SHIELD: STAINLESS STEEL  
 INSULATOR COLOR: DEEP GRAY  
 CONTACTS: COPPER ALLOY  
 EMI SPRING: STAINLESS STEEL

**FINISH**  
 CONTACT: 15µ" MIN. GOLD ON MATING END;  
 30µ" MIN. MATTE TIN ON TERMINATION END;  
 ALL UNDERPLATED 50µ" MIN. NICKEL

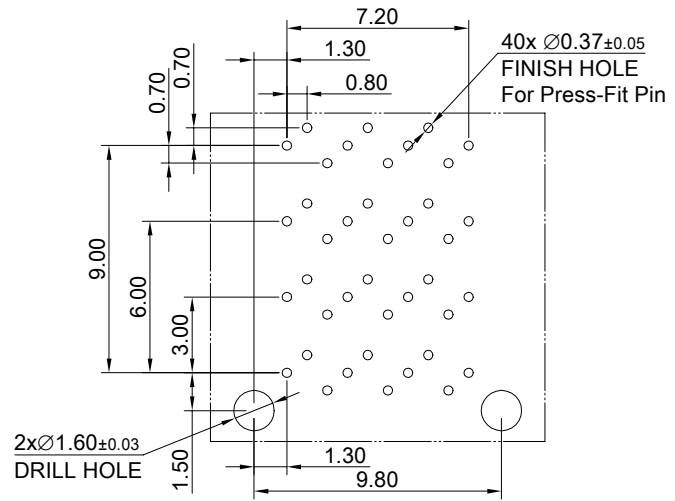
**ELECTRICAL CHARACTERISTICS**  
 CONTACT CURRENT RATING: 0.5 AMPERE  
 DIELECTRIC WITHSTANDING VOLTAGE: 300V AC  
 VOLTAGE RATING: 30 VDC  
 CONTACT RESISTANCE: 80 mΩ MAX

 <b>ALL BEST</b> <b>ELECTRONICS</b> <b>CO., LTD.</b>	TITLE: Stacked SFP56 2X6 ASS'Y		SHEET: 1/2	REV. REF
	DWG#: R-OP-0562X6-PP-F-N3-01-NO		CHECKED:	APPROVED:
<small>THIS PRINT IS PRELIMINARY        UNQUALIFIED PRODUCT        CONTACT PRODUCT ENGINEERING        BEFORE USING THIS PRINT</small>	UNIT: mm	SCALE: A4 4:5	FINISH: RoHS Compliant	
	THIRD ANGLE PROJECTION		DRAWN: Tony	
	TOLERANCE: Angle: ± 1° X ± 0.25 .X ± 0.20 .XX ± 0.15		DATE: 03/26/2024	

A B C D E F G H



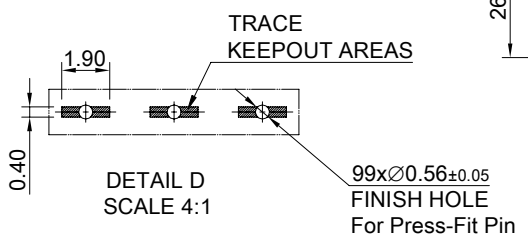
RECOMMENDED PCB LAYOUT  
TOLERANCE: ±0.05  
MINIMUM PCB THICKNESS OF 2MM



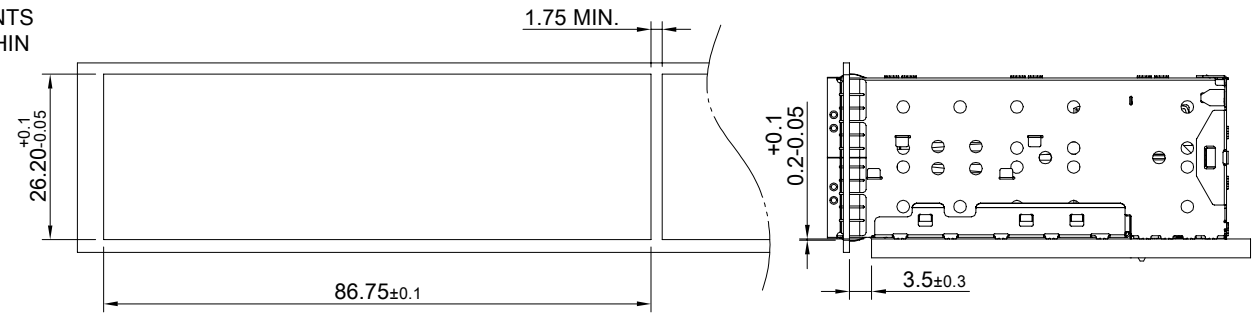
DETAIL C-1  
SCALE 4:1

NOTE :  
1.)THE ENTIRE AREA OF THE CONNECTOR FOOTPRINT, INDICATED BY THE DASHED LINE, TO BE CONSIDERED THE KEEPOUT AREA FOR COMPONENTS AND SIGNAL TRACES, TOP SIDE ONLY, TOP SIDE TRACES ALLOWED WITHIN CONNECTOR HOLE PATTERN.

- T19 ○ T16 ○ T13 ○
- T20 ○ T17 ○ T14 ○ T11 ○
- T18 ○ T15 ○ T12 ○
  
- T2 ○ T5 ○ T8 ○
- T1 ○ T4 ○ T7 ○ T10 ○
- T3 ○ T6 ○ T9 ○
  
- L9 ○ L6 ○ L3 ○
- L10 ○ L7 ○ L4 ○ L1 ○
- L8 ○ L5 ○ L2 ○
  
- L12 ○ L15 ○ L18 ○
- L11 ○ L14 ○ L17 ○ L20 ○
- L13 ○ L16 ○ L19 ○



DETAIL D  
SCALE 4:1



THIS PRINT IS  
PRELIMINARY  
UNQUALIFIED PRODUCT  
CONTACT PRODUCT ENGINEERING  
BEFORE USING THIS PRINT



TITLE: Stacked SFP56 2X6 ASS'Y			
DWG#: R-OP-0562X6-PP-F-N3-01-NO			SHEET: 2/2
			REV. REF
UNIT: mm	SCALE: A4 4:5	FINISH:	CHECKED:
TOLERANCE: Angle:± 1° X± 0.15 .X± 0.10 .XX± 0.05		MATERIAL: RoHS Compliant	APPROVED:
		DRAWN: Tony	DATE: 03/26/2024

A B C D E F G H

1  
2  
3  
4  
5  
6  
7  
8

1  
2  
3  
4  
5  
6  
7  
8