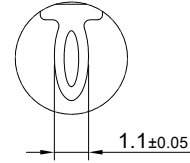
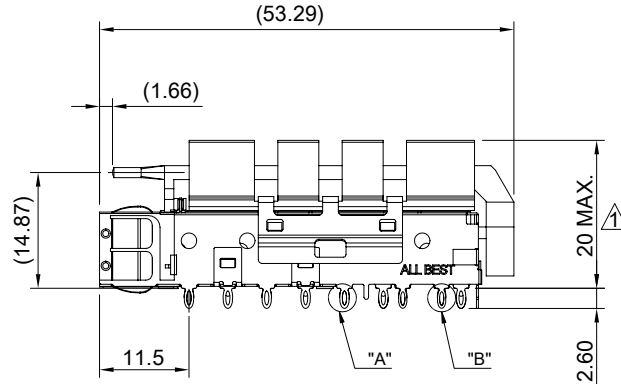
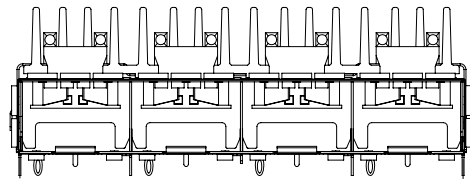
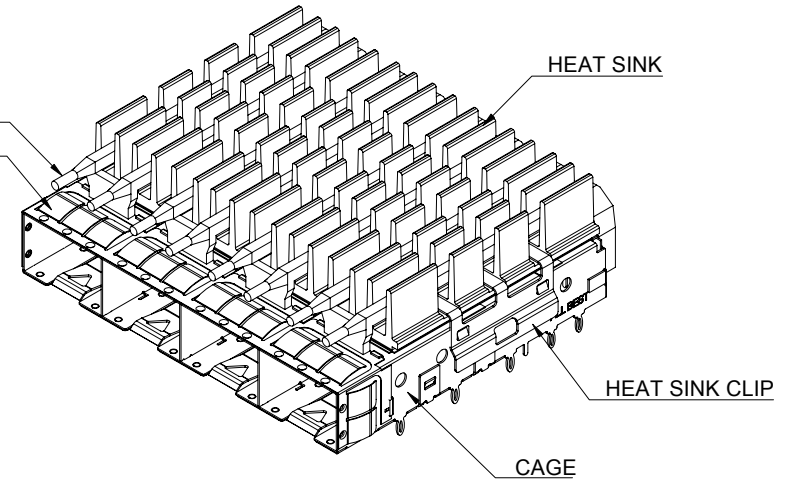


DETAIL A
SCALE 4:1



DETAIL B
SCALE 4:1



MATERIAL
 CAGE: NICKEL SILVER
 HEAT SINK: ALUMINUM
 HEAT SINK CLIP: STAINLESS STEEL
 EMI SPRING: STAINLESS STEEL
 LIGHT PIPE: PC

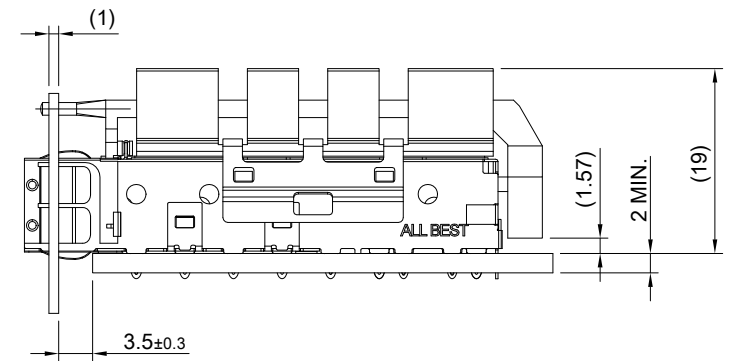
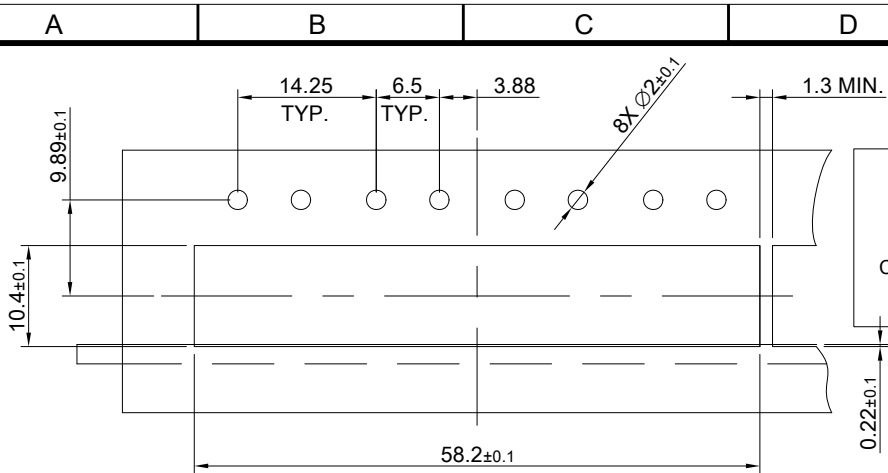
FINISH
 HEAT SINK: ANODE PROCESS

NOTE
 ▲ DIMENSION APPLIES WITH MODULE INSERTED IN CAGE

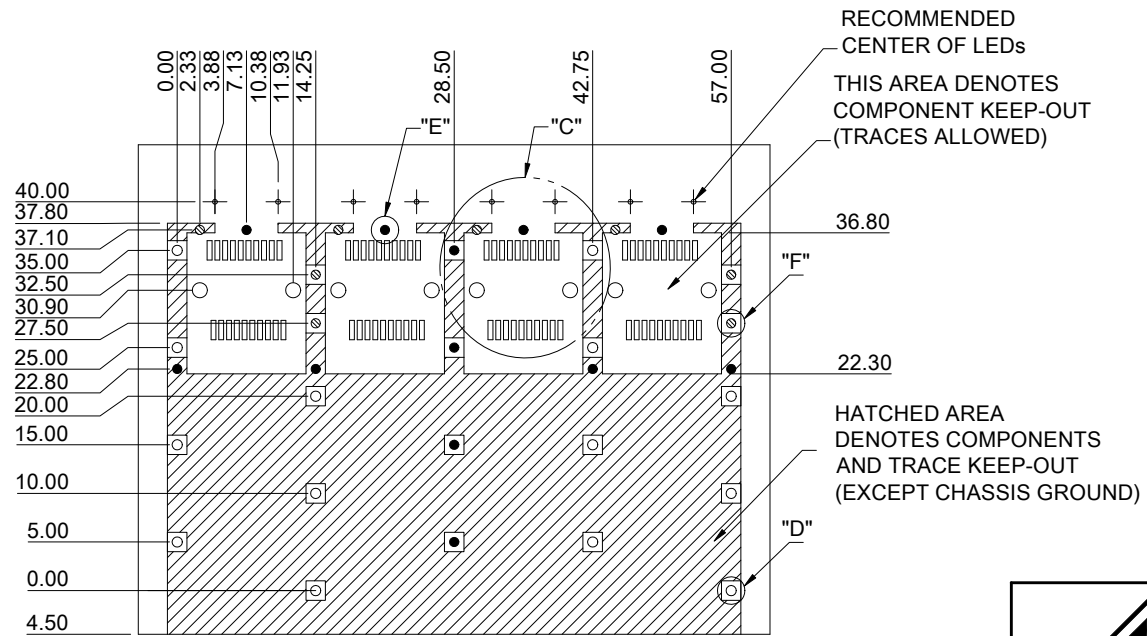
THIS PRINT IS
PRELIMINARY
 UNQUALIFIED PRODUCT
 CONTACT PRODUCT ENGINEERING
 BEFORE USING THIS PRINT



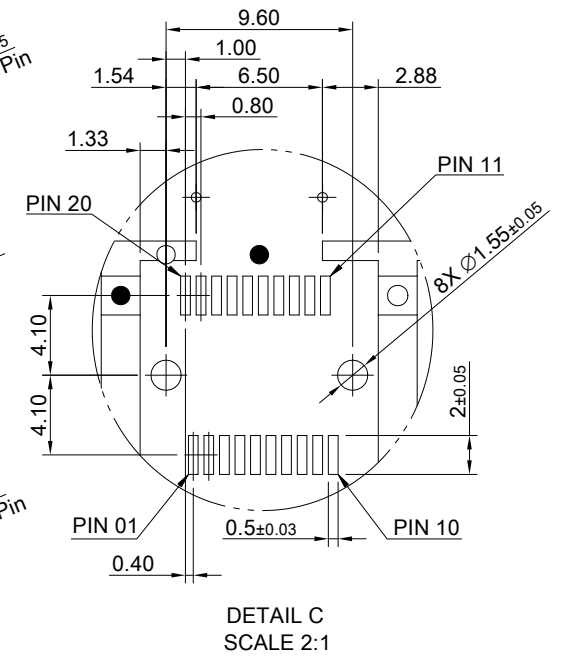
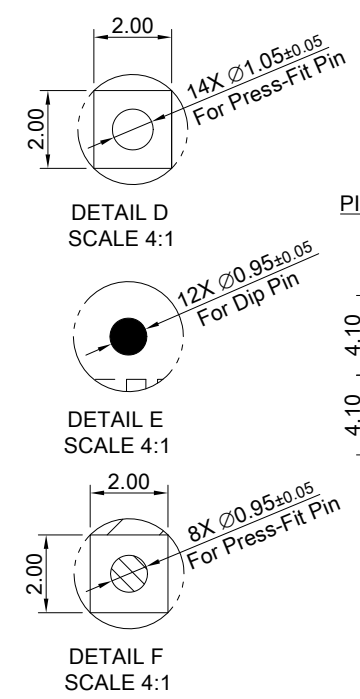
TITLE: SFP56 1X4 Cage Assembly w/ NET Heat Sink & Light Pipe			
DWG#: R-SH-0561X4-7-T-A1		SHEET: 1/3	REV. REF
UNIT: mm	SCALE: A4 1:1	CHECKED:	
THIRD ANGLE PROJECTION		MATERIAL: RoHS Compliant	
TOLERANCE: Angle: ± 1° X.± 0.25 .X± 0.20 .XX± 0.15		DRAWN: Ting	APPROVED:
		DATE: 03/22/2024	



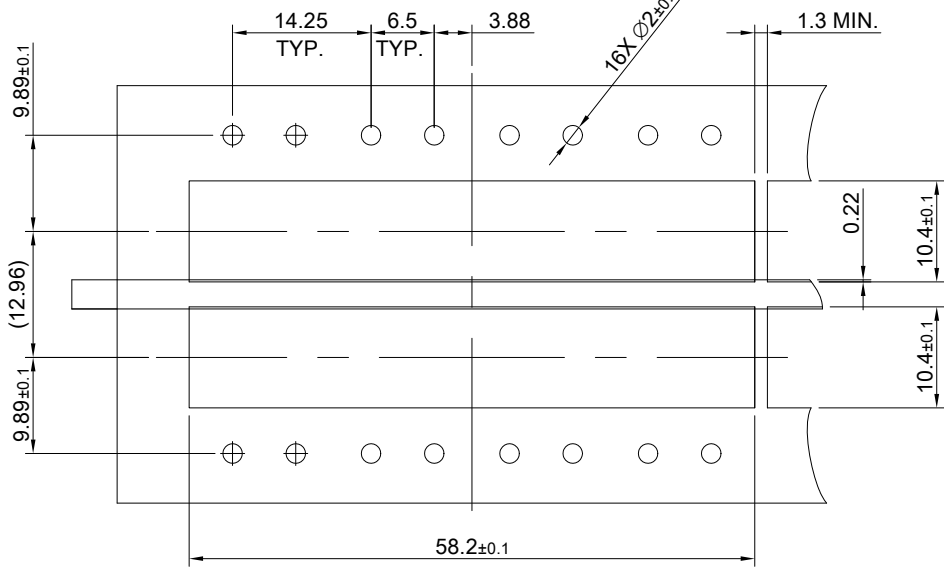
RECOMMENDED BEZEL CUT-OUT
SINGLE-SIDE APPLICATIONS



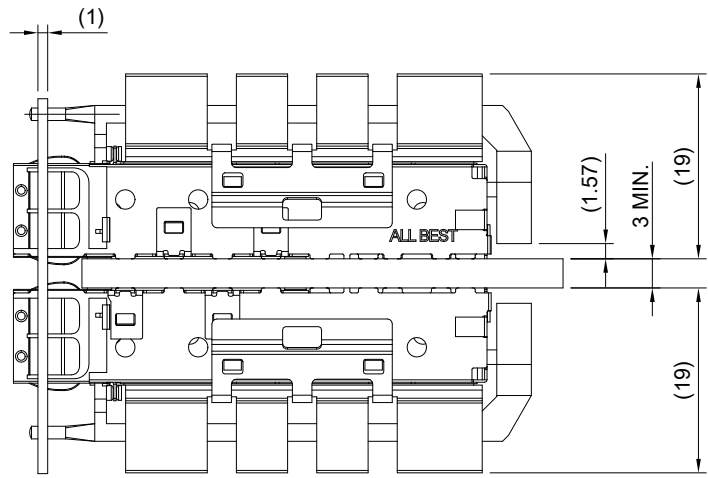
PCB LAYOUT FOR SINGLE-SIDE CONFIGURATION
TOLERANCE: ±0.05



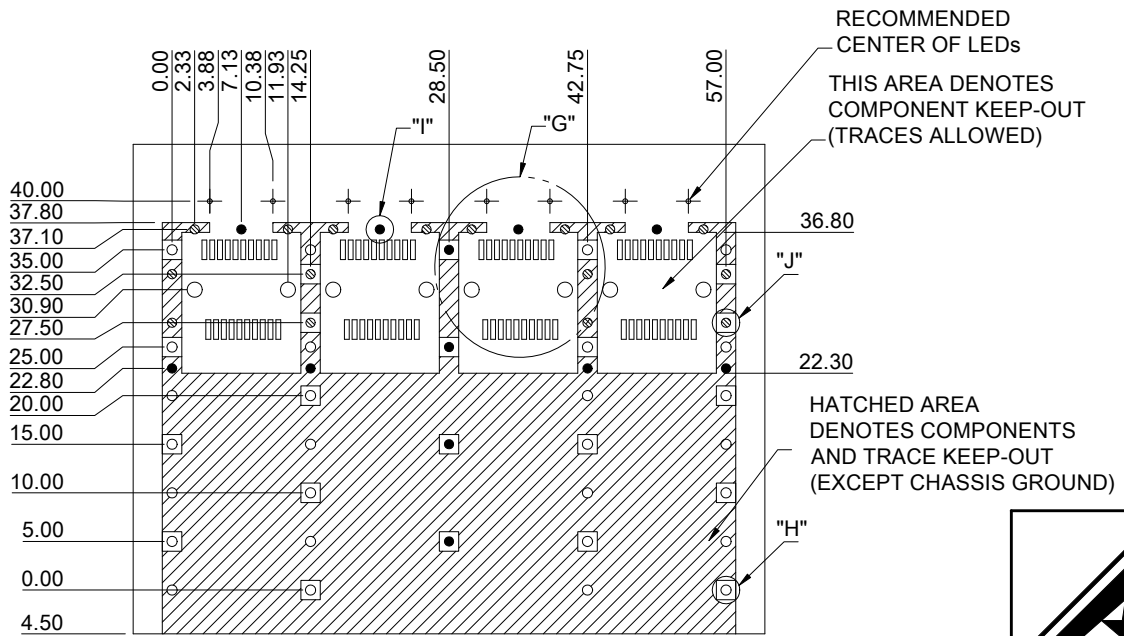
<p>ALL BEST ALL BEST ELECTRONICS CO., LTD.</p>	TITLE: SFP56 1X4 Cage Assembly w/ NET Heat Sink & Light Pipe		SHEET: 2/3		REV. REF	
	DWG#: R-SH-0561X4-7-T-A1		CHECKED:		APPROVED:	
UNIT: mm	SCALE: A4 5:4	FINISH:		DATE: 03/22/2024		
TOLERANCE: Angle: ± 1° X ± 0.15 .X ± 0.1 .XX ± 0.05		MATERIAL: RoHS Compliant	DRAWN: Ting			
THIRD ANGLE PROJECTION						



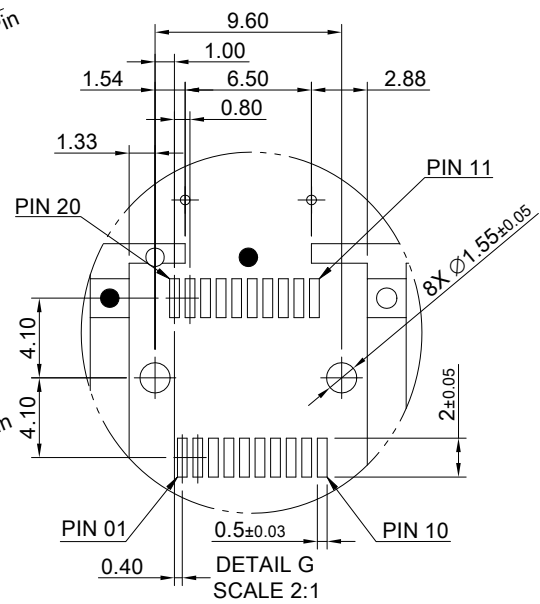
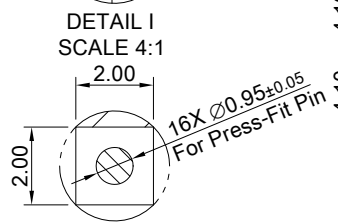
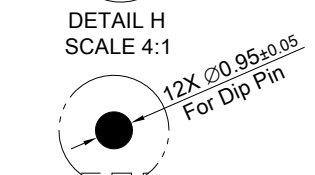
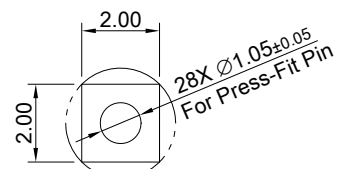
THIS PRINT IS
PRELIMINARY
 UNQUALIFIED PRODUCT
 CONTACT PRODUCT ENGINEERING
 BEFORE USING THIS PRINT



RECOMMENDED BEZEL CUT-OUT
 BELLY TO BELLY APPLICATIONS



RECOMMENDED PCB LAYOUT
 FOR BELLY TO BELLY MOUNTING
 TOLERANCE: ±0.05



TITLE: SFP56 1X4 Cage Assembly w/ NET Heat Sink & Light Pipe		SHEET: 3/3		REV. REF	
DWG#: R-SH-0561X4-7-T-A1		CHECKED:		APPROVED:	
UNIT: mm	SCALE: A4 5:4	FINISH:	MATERIAL: RoHS Compliant		
TOLERANCE: Angle: ±1° X.± 0.15 .X± 0.1 .XX± 0.05		DRAWN: Ting	DATE: 03/22/2024		