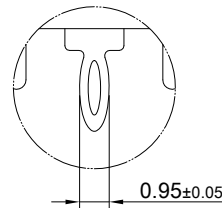
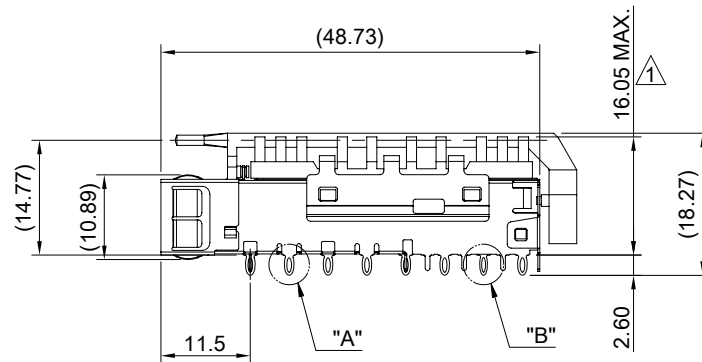
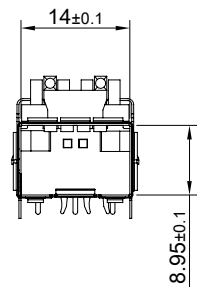
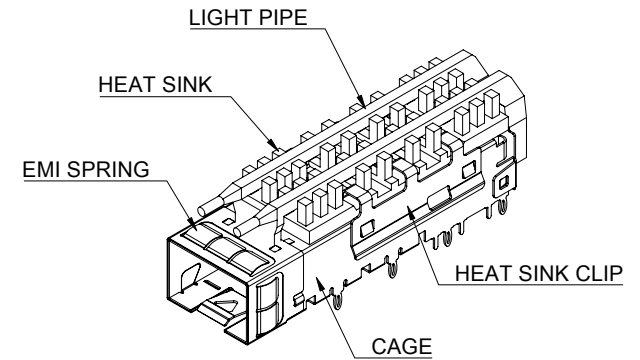


DETAIL A
SCALE 4:1



DETAIL B
SCALE 4:1



MATERIAL
 CAGE: NICKEL SILVER
 EMI SPRING: STAINLESS STEEL
 HEAT SINK: ALUMINUM
 HEAT SINK CLIP: STAINLESS STEEL
 LIGHT PIPE: PC

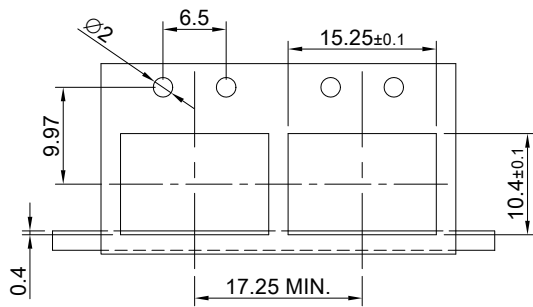
FINISH
 HEAT SINK: ANODE PROCESS

NOTE
 ▲ DIMENSION APPLIES WITH MODULE INSERTED IN CAGE

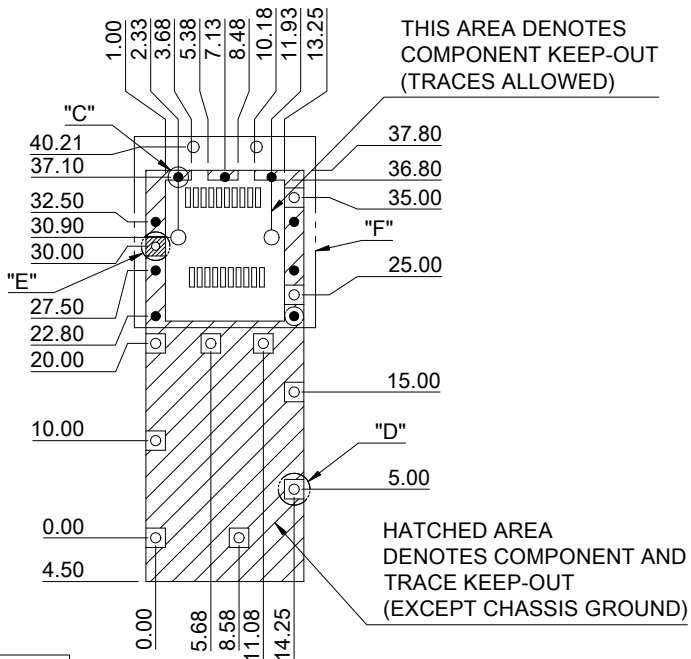
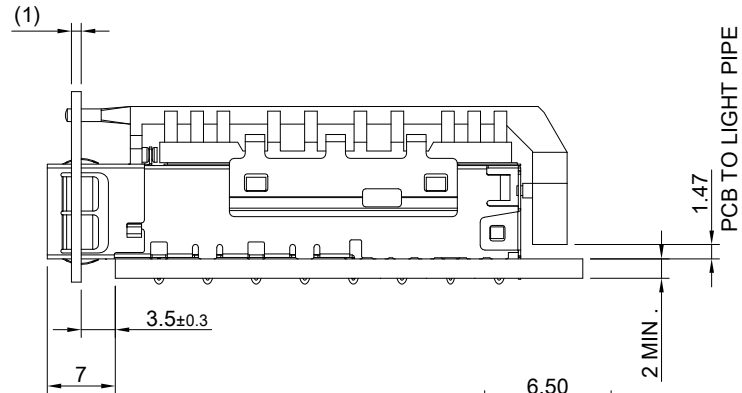
THIS PRINT IS
PRELIMINARY
 UNQUALIFIED PRODUCT
 CONTACT PRODUCT ENGINEERING
 BEFORE USING THIS PRINT



TITLE: SFP56 1X1 Cage Assembly w/ SAN Heat Sink & Light Pipe		SHEET: 1/3		REV. REF	
DWG#: R-SH-056020-7-T-A2		CHECKED:		APPROVED:	
UNIT: mm	SCALE: A4 1:1	FINISH:		MATERIAL: RoHS Compliant	
TOLERANCE: Angle: ± 1° X.± 0.25 .X± 0.20 .XX± 0.15		DRAWN: Ting		DATE: 03/22/2024	



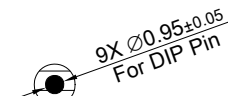
RECOMMENDED BEZEL CUT-OUT
SINGLE SIDED APPLICATIONS



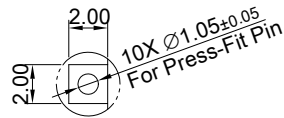
THIS AREA DENOTES
COMPONENT KEEP-OUT
(TRACES ALLOWED)

HATCHED AREA
DENOTES COMPONENT AND
TRACE KEEP-OUT
(EXCEPT CHASSIS GROUND)

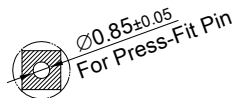
RECOMMENDED PCB LAYOUT
TOLERANCE: ±0.05



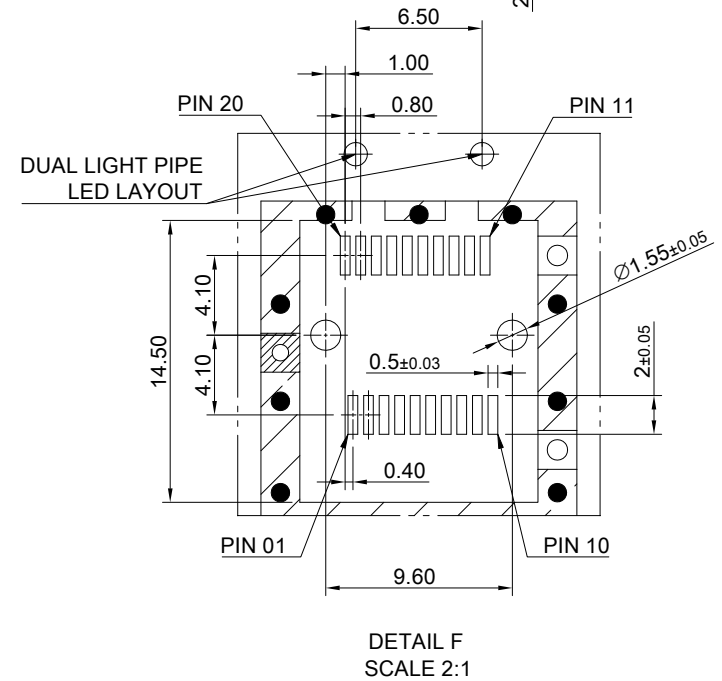
DETAIL C
SCALE 2:1



DETAIL D
SCALE 2:1



DETAIL E
SCALE 2:1

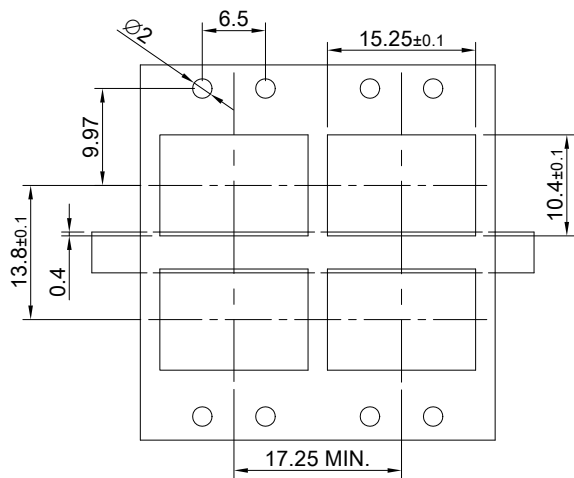


DETAIL F
SCALE 2:1

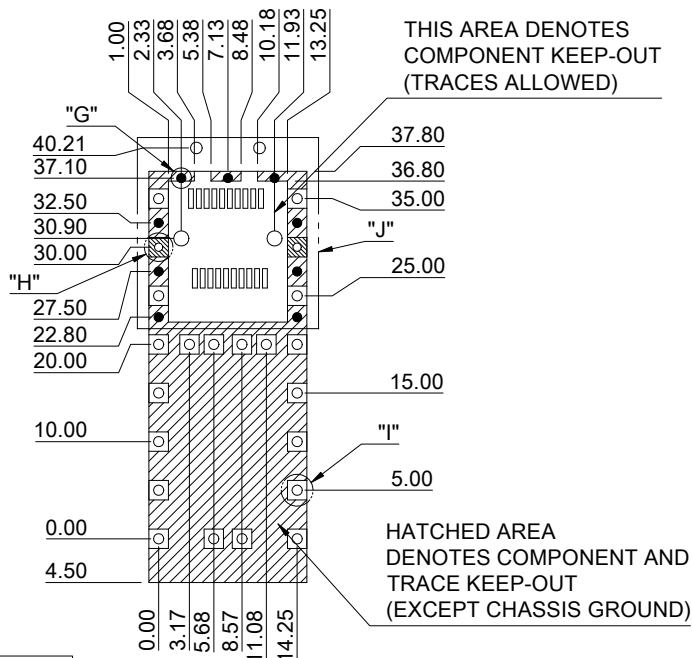
THIS PRINT IS
PRELIMINARY
UNQUALIFIED PRODUCT
CONTACT PRODUCT ENGINEERING
BEFORE USING THIS PRINT



TITLE: SFP56 1X1 Cage Assembly w/ SAN Heat Sink & Light Pipe			
DWG#: R-SH-056020-7-T-A2		SHEET: 2/3	REV. REF
UNIT: mm	SCALE: A4 5:4	FINISH:	CHECKED:
THIRD ANGLE PROJECTION		MATERIAL: RoHS Compliant	APPROVED:
TOLERANCE: Angle: ±1° X ± 0.15 .X ± 0.10 .XX ± 0.05		DRAWN: Ting	DATE: 03/22/2024

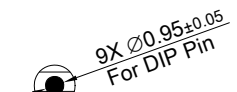
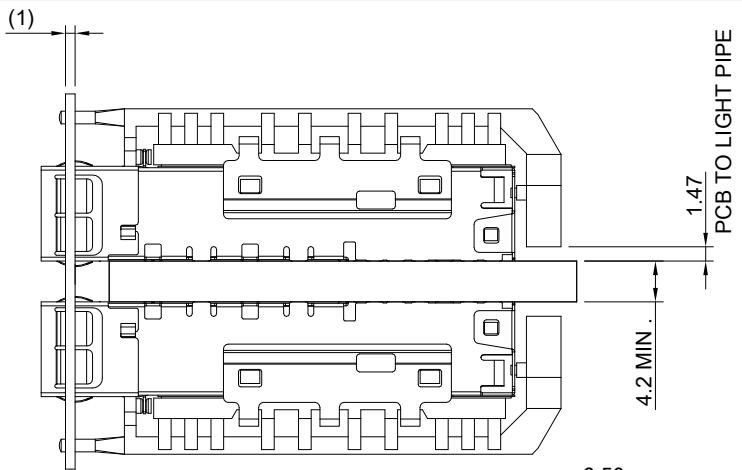


RECOMMENDED BEZEL CUT-OUT
BELLY TO BELLY APPLICATIONS

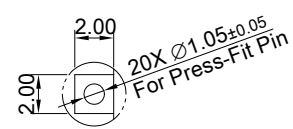


RECOMMENDED PCB LAYOUT
FOR BELLY TO BELLY MOUNTING
TOLERANCE: ±0.05

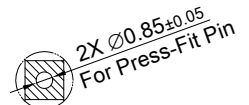
THIS PRINT IS
PRELIMINARY
UNQUALIFIED PRODUCT
CONTACT PRODUCT ENGINEERING
BEFORE USING THIS PRINT



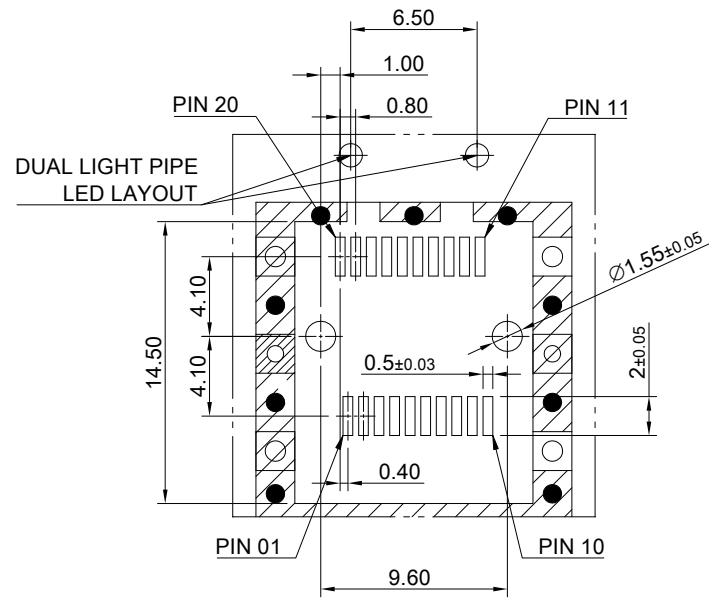
DETAIL G
SCALE 2:1



DETAIL H
SCALE 2:1



DETAIL I
SCALE 2:1



DETAIL J
SCALE 2:1

		TITLE: SFP56 1X1 Cage Assembly w/ SAN Heat Sink & Light Pipe	
		DWG#: R-SH-056020-7-T-A2	SHEET: 3/3 REV. REF
UNIT: mm	SCALE: A4 5:4	FINISH:	CHECKED:
THIRD ANGLE PROJECTION		MATERIAL: RoHS Compliant	APPROVED:
TOLERANCE: Angle: ±1° X ± 0.15 .X ± 0.10 .XX ± 0.05		DRAWN: Ting	DATE: 03/22/2024