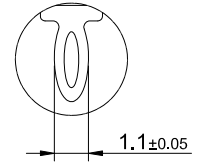
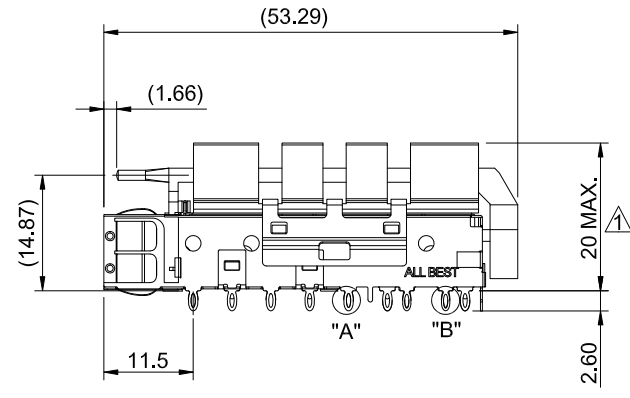
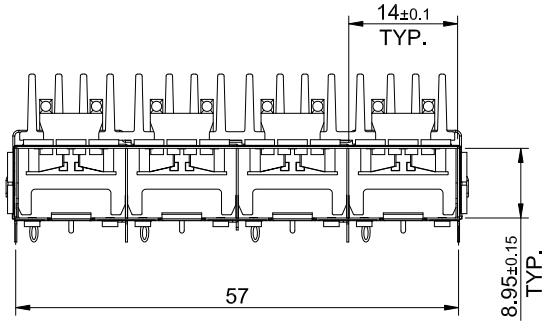
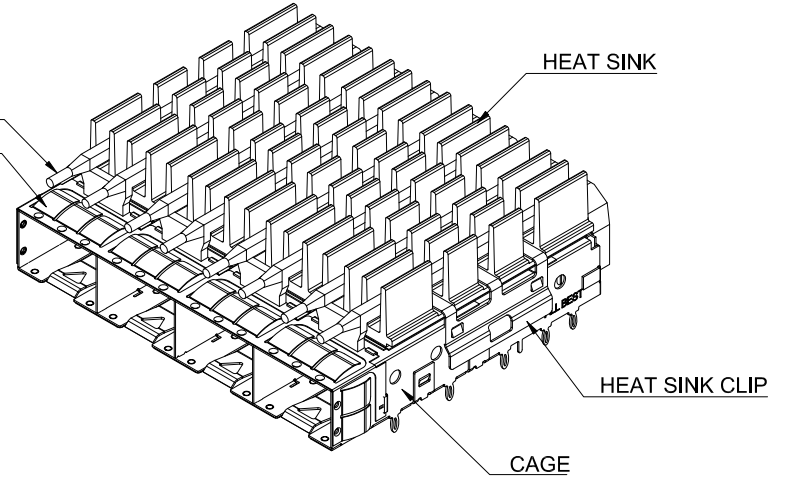


DETAIL A
SCALE 4:1



DETAIL B
SCALE 4:1



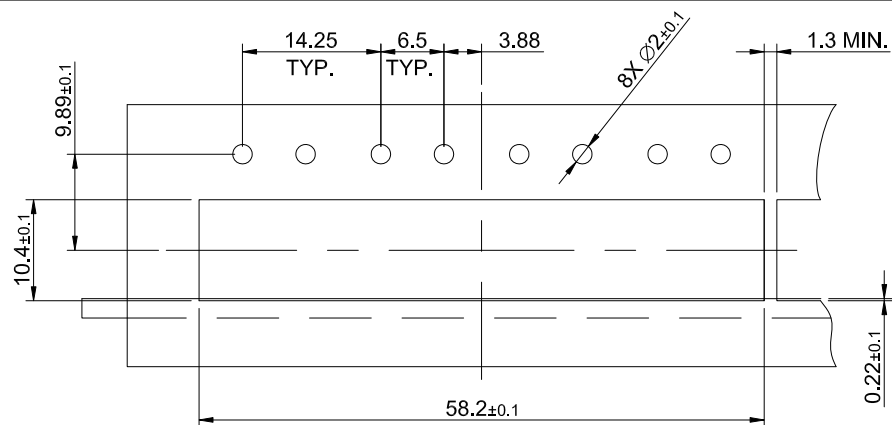
MATERIAL
 CAGE: NICKEL SILVER
 HEAT SINK: ALUMINUM
 HEAT SINK CLIP: STAINLESS STEEL
 EMI SPRING: STAINLESS STEEL
 LIGHT PIPE: PC

FINISH
 HEAT SINK: ANODE PROCESS

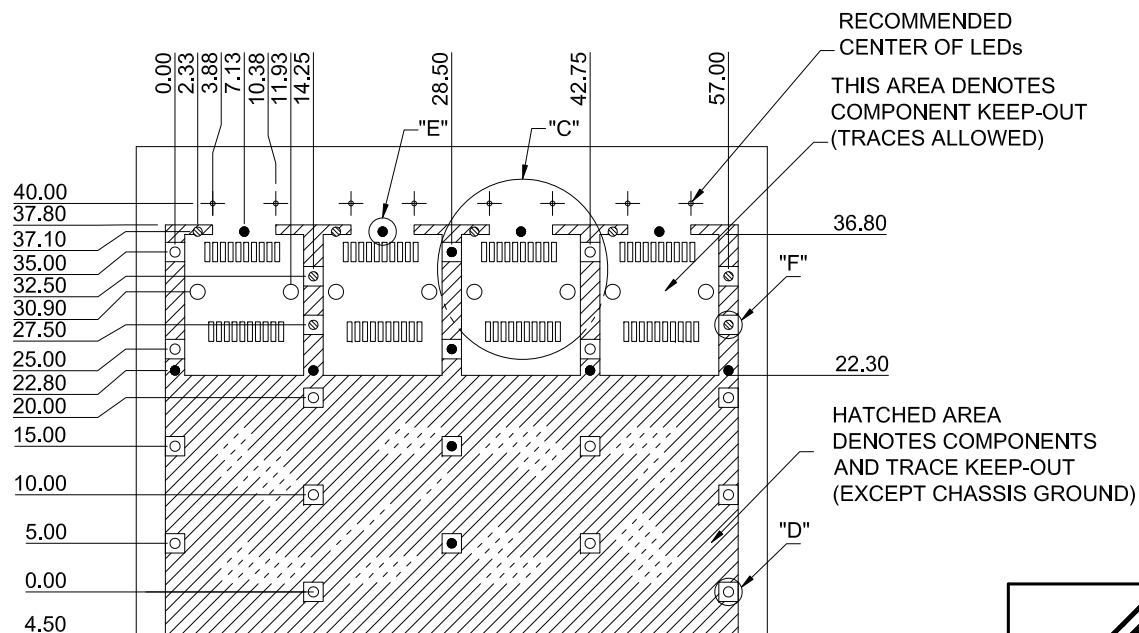
NOTE
 ▲ DIMENSION APPLIES WITH MODULE INSERTED IN CAGE



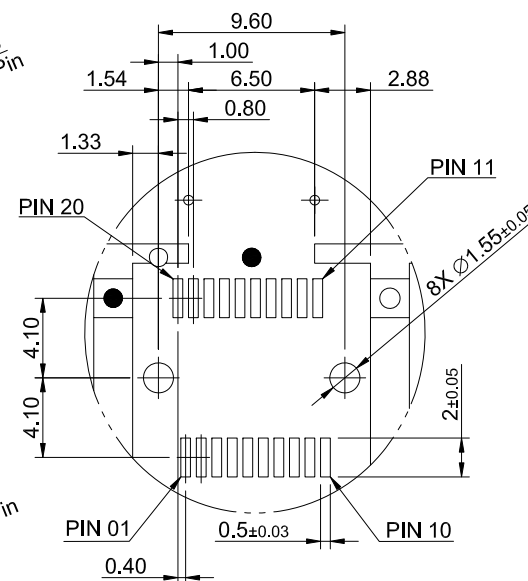
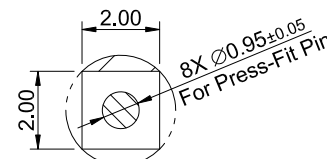
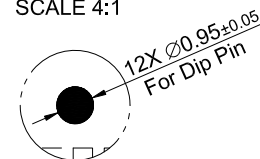
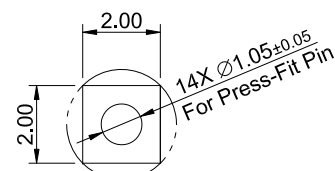
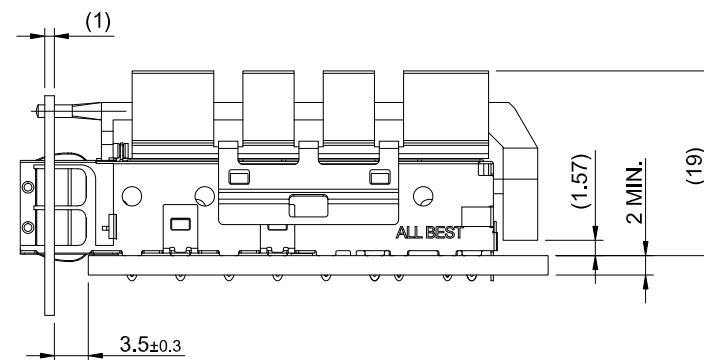
TITLE: SFP28 1X4 Cage Assembly w/ NET Heat Sink & Light Pipe			
DWG#: R-SH-0091X4-7-T-A1		SHEET: 1/3	REV. A
UNIT: mm	SCALE: A4 1:1	FINISH:	CHECKED: Gary Kang
TOLERANCE: Angle: ± 1° X.± 0.25 .X± 0.20 .XX± 0.15		MATERIAL: RoHS Compliant	APPROVED: George Yang
THIRD ANGLE PROJECTION		DRAWN: Andy	DATE: 12/22/2018



RECOMMENDED BEZEL CUT-OUT
SINGLE-SIDE APPLICATIONS



PCB LAYOUT FOR SINGLE-SIDE CONFIGURATION
TOLERANCE: ±0.05



TITLE: SFP28 1X4 Cage Assembly w/ NET Heat Sink & Light Pipe

DWG#: R-SH-0091X4-7-T-A1

SHEET: 2/3
REV. A

UNIT: mm

SCALE: A4 5:4

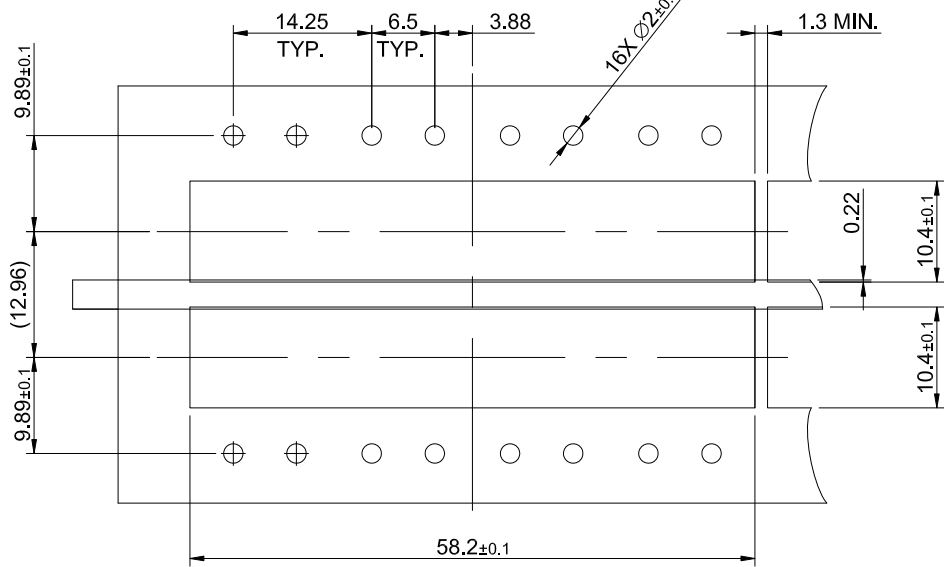
FINISH: CHECKED: Gary Yang

THIRD ANGLE PROJECTION

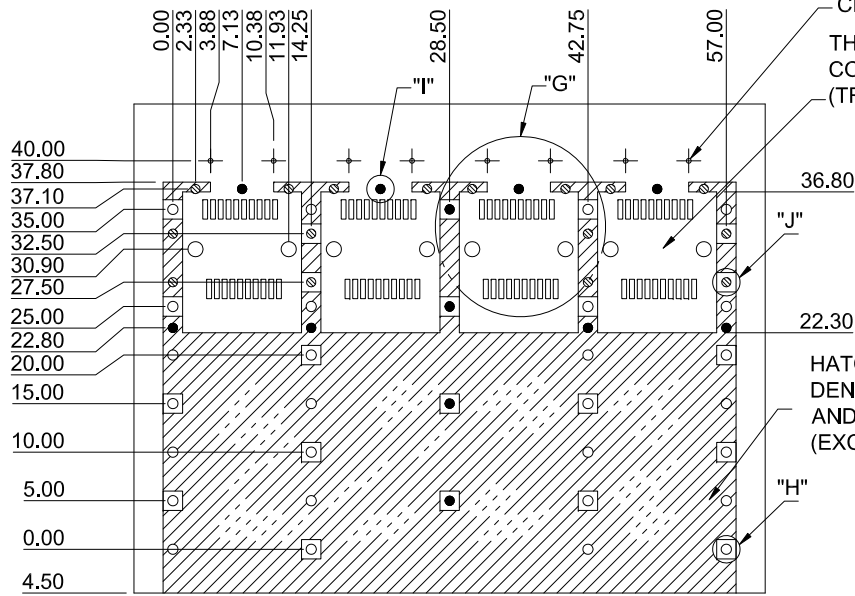
MATERIAL: RoHS Compliant
APPROVED: George Yang

TOLERANCE: Angle: ±1°
X.± 0.15 .X± 0.1 .XX± 0.05

DRAWN: Andy
DATE: 12/22/2018



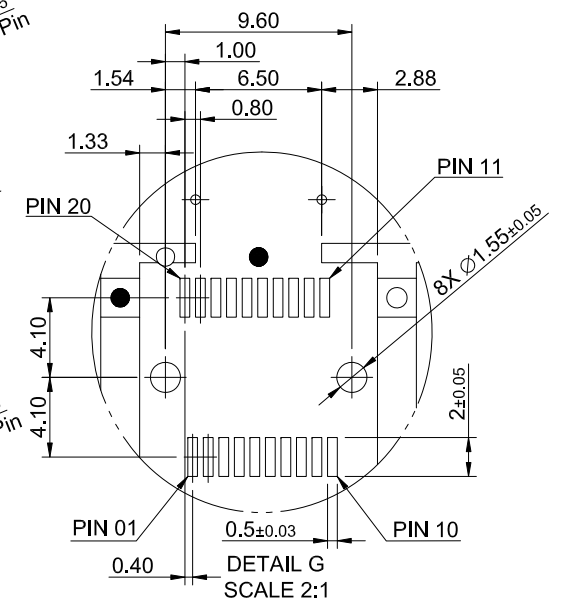
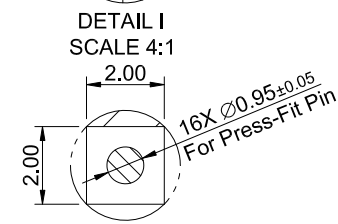
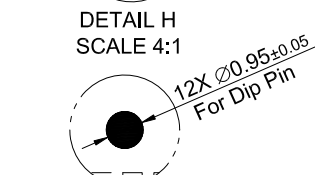
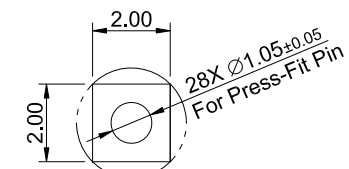
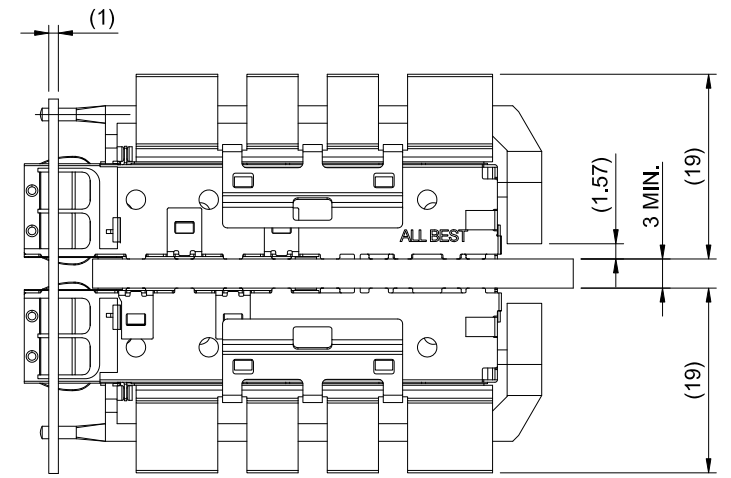
RECOMMENDED BEZEL CUT-OUT BELLY TO BELLY APPLICATIONS



RECOMMENDED PCB LAYOUT FOR BELLY TO BELLY MOUNTING TOLERANCE: ±0.05

RECOMMENDED CENTER OF LEDs THIS AREA DENOTES COMPONENT KEEP-OUT (TRACES ALLOWED)

HATCHED AREA DENOTES COMPONENTS AND TRACE KEEP-OUT (EXCEPT CHASSIS GROUND)



ALL BEST ELECTRONICS CO., LTD.

TITLE: SFP28 1X4 Cage Assembly w/ NET Heat Sink & Light Pipe

DWG#: R-SH-0091X4-7-T-A1 SHEET: 3/3 REV. A

UNIT: mm SCALE: A4 5:4 FINISH: CHECKED: Gary Kang

MATERIAL: RoHS Compliant APPROVED: George Yang

TOLERANCE: Angle: ±1° DATE: 12/22/2018
X.± 0.15 .X± 0.1 .XX± 0.05 DRAWN: Andy

