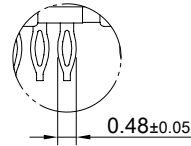
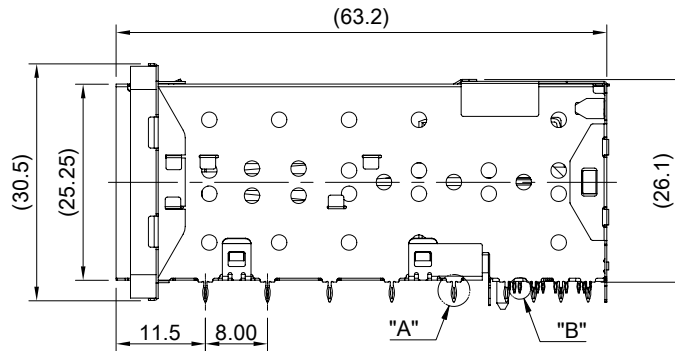
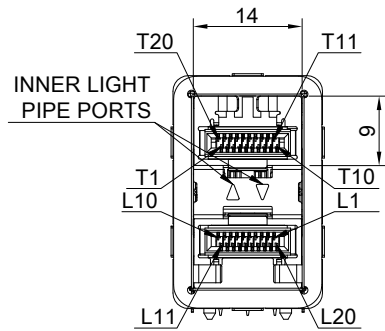
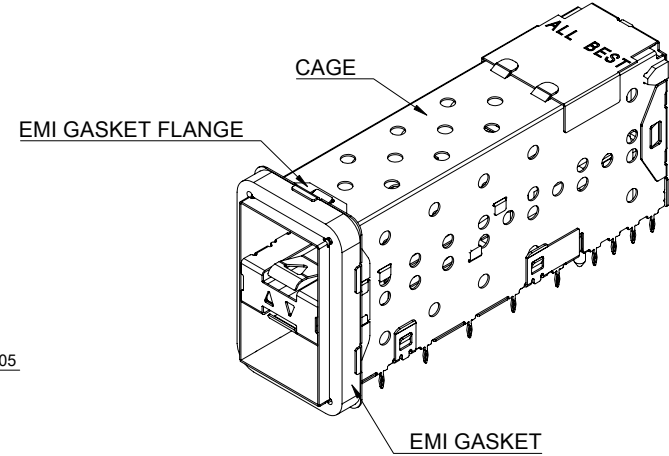


DETAIL A
SCALE 5:1



DETAIL B
SCALE 5:1



MATERIAL
 CAGE: NICKEL SILVER
 CONNECTOR HOUSING: THERMOPLASTIC, UL 94V-0
 CONNECTOR HOUSING SHIELD: STAINLESS STEEL
 CONTACTS: COPPER ALLOY
 EMI ELASTIC GASKET: CONDUCTIVE ELASTOMER
 EMI GASKET FLANGE: NICKEL SILVER
 LIGHT PIPE: PC (CLEAR)

FINISH
 CONTACT: 15µ" MIN. GOLD ON MATING END;
 30µ" MIN. MATTE TIN ON TERMINATION END;
 ALL UNDERPLATED 50µ" MIN. NICKEL

ELECTRICAL CHARACTERISTICS
 CONTACT CURRENT RATING: 0.5 AMPERE
 DIELECTRIC WITHSTANDING VOLTAGE: 300 VAC
 VOLTAGE RATING: 30 VAC
 CONTACT RESISTANCE: 80 mΩ MAX.



THIS PRINT IS
PRELIMINARY
 UNQUALIFIED PRODUCT
 CONTACT PRODUCT ENGINEERING
 BEFORE USING THIS PRINT

TITLE: Stacked SFP28 2X1 ASS'Y w/ Light Pipe

DWG#: R-DP-0092X1-P-F-N3-00-IN

UNIT: mm

SCALE: A4 1:1

FINISH:

SHEET: 1/2
 REV. REF

THIRD ANGLE PROJECTION

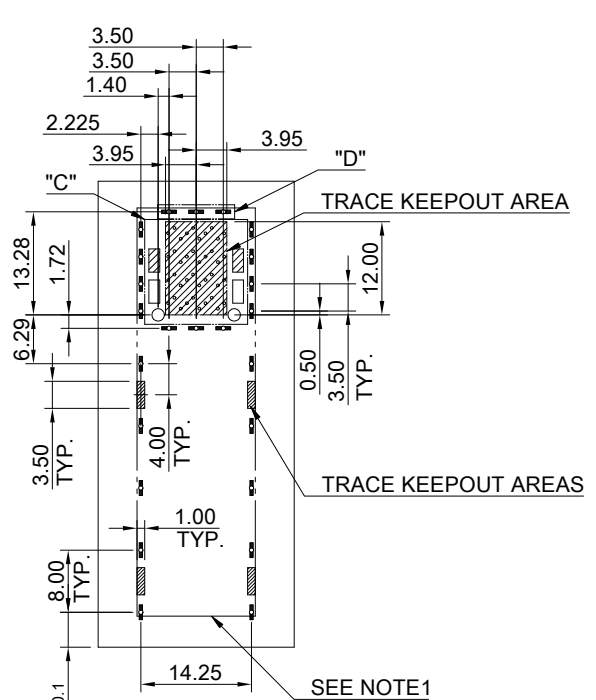
MATERIAL: RoHS Compliant

APPROVED:

TOLERANCE: X± 0.25 .X± 0.20 .XX± 0.15

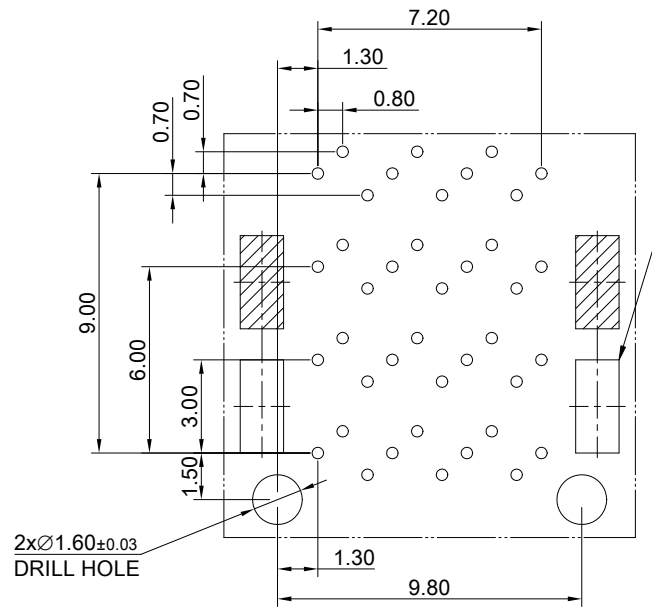
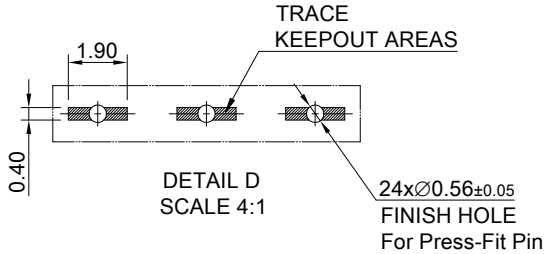
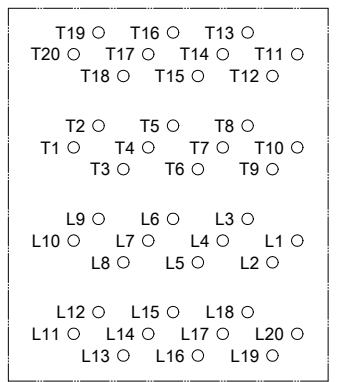
DRAWN: Tony

DATE: 03/26/2024

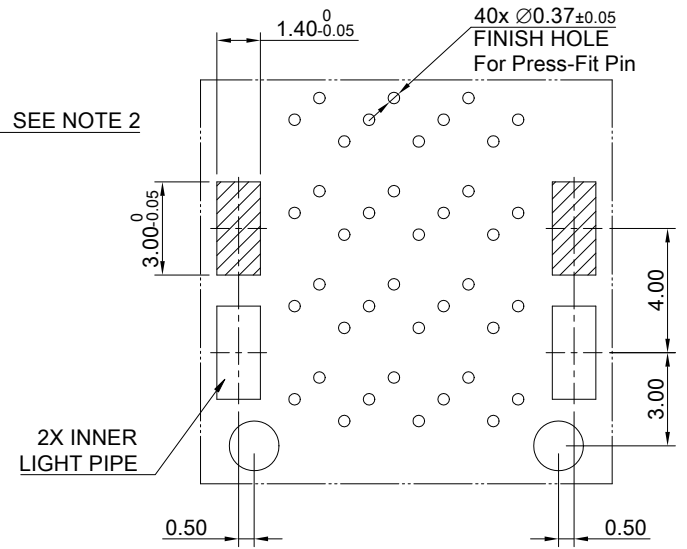


RECOMMENDED PCB LAYOUT
TOLERANCE: ±0.05
MINIMUM PCB THICKNESS OF 2MM

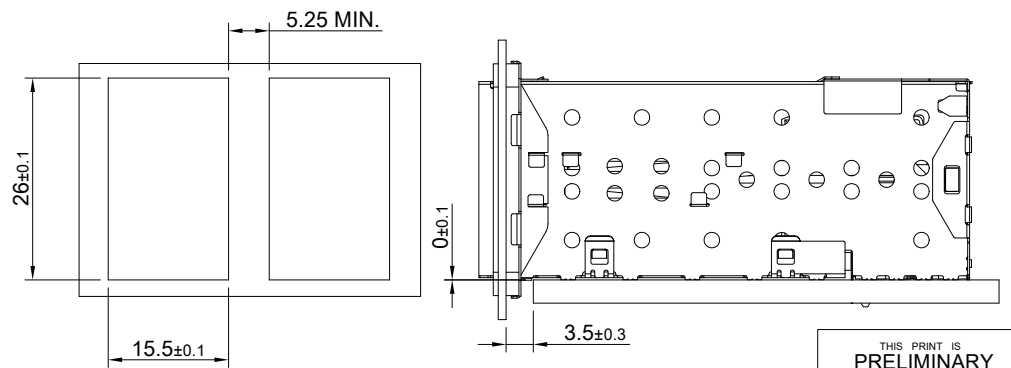
NOTE :
1.)THE ENTIRE AREA OF THE CONNECTOR FOOTPRINT, INDICATED BY THE DASHED LINE, TO BE CONSIDERED THE KEEPOUT AREA FOR COMPONENTS AND SIGNAL TRACES, TOP SIDE ONLY, TOP SIDE TRACES ALLOWED WITHIN CONNECTOR HOLE PATTERN.
2.)LIGHT PIPE PAD LAYOUT IS FOR 0805 LOW PROFILE LED PACKAGE WITH A HEIGHT OF 0.8mm



DETAIL C-1
SCALE 4:1



DETAIL C-2
SCALE 4:1



THIS PRINT IS
PRELIMINARY
UNQUALIFIED PRODUCT
CONTACT PRODUCT ENGINEERING
BEFORE USING THIS PRINT

	TITLE: Stacked SFP28 2X1 ASS'Y w/ Light Pipe			
	DWG#: R-DP-0092X1-P-F-N3-00-IN		SHEET: 2/2	REV. REF
	UNIT: mm	SCALE: A4 1:1	CHECKED:	
	THIRD ANGLE PROJECTION		APPROVED:	
	TOLERANCE: Angle: ± 1° X ± 0.15 .X ± 0.10 .XX ± 0.05		MATERIAL: RoHS Compliant	DATE: 03/26/2024
		DRAWN: Tony		