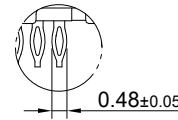
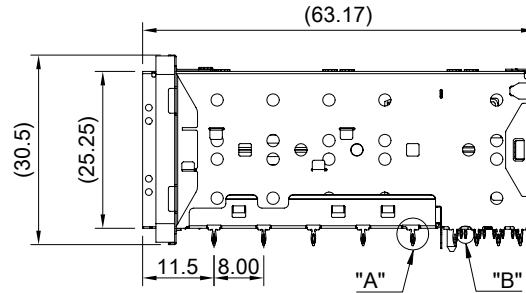
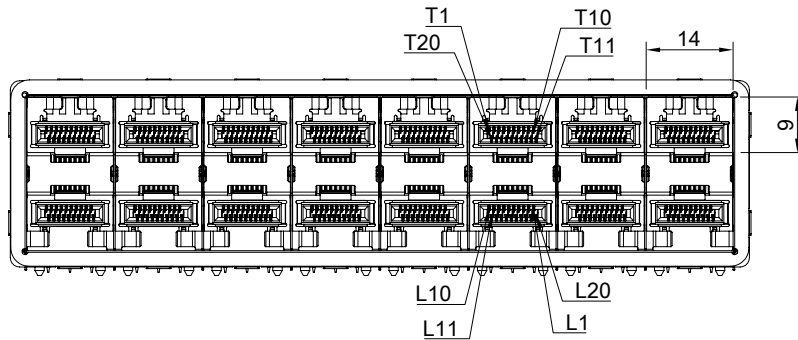
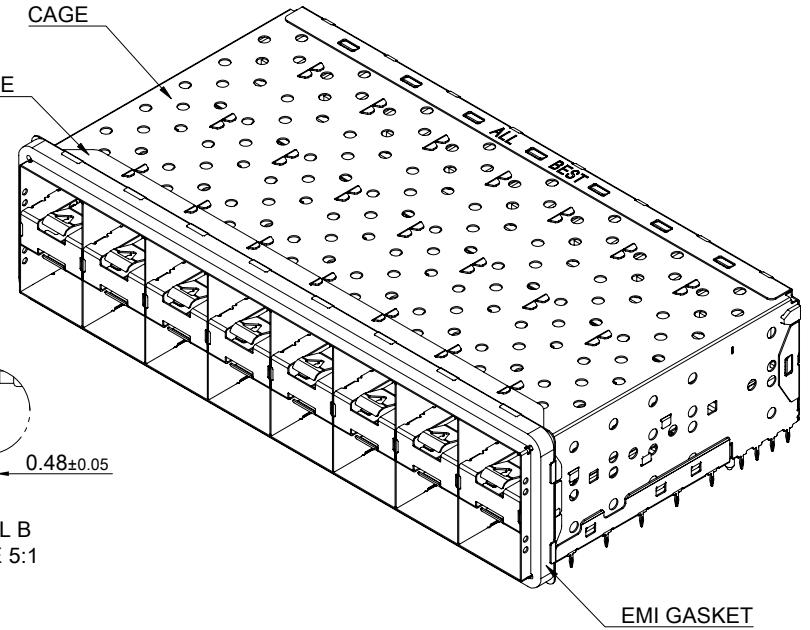


DETAIL A  
SCALE 5:1



DETAIL B  
SCALE 5:1



**MATERIAL**  
 CAGE: NICKEL SILVER  
 CONNECTOR HOUSING: THERMOPLASTIC, UL 94V-0  
 CONNECTOR HOUSING SHIELD: STAINLESS STEEL  
 CONTACTS: COPPER ALLOY  
 EMI ELASTIC GASKET: CONDUCTIVE ELASTOMER  
 EMI GASKET FLANGE: NICKEL SILVER

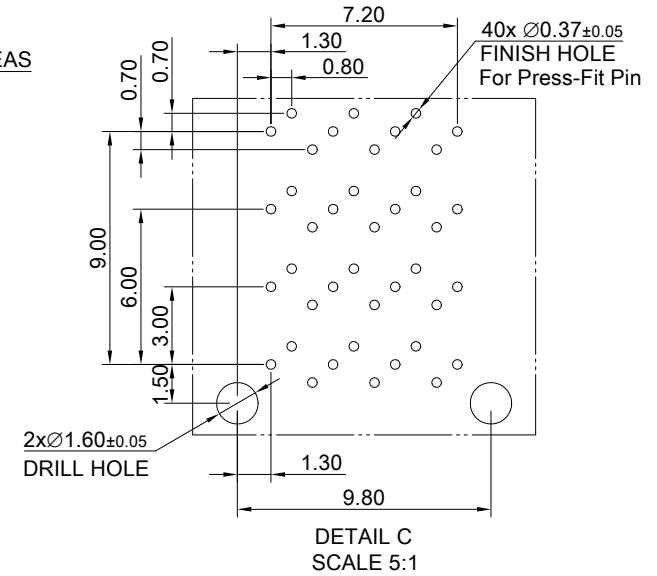
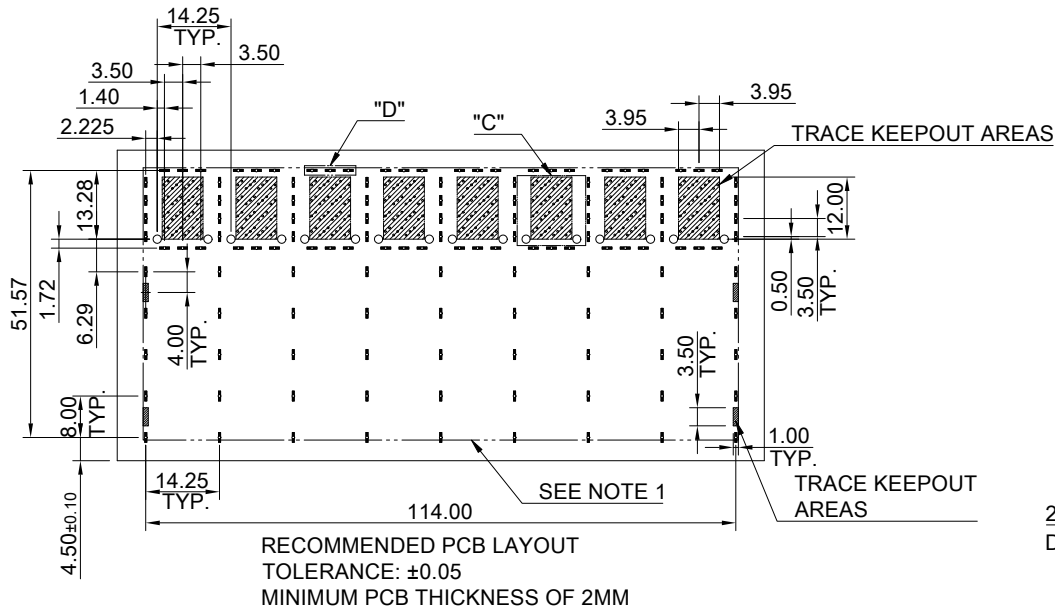
**FINISH**  
 CONTACT: 15µ" MIN. GOLD ON MATING END;  
 30µ" MIN. MATTE TIN ON TERMINATION END;  
 ALL UNDERPLATED 50µ" MIN. NICKEL

**ELECTRICAL CHARACTERISTICS**  
 CONTACT CURRENT RATING: 0.5 AMPERE  
 DIELECTRIC WITHSTANDING VOLTAGE: 300 VAC  
 VOLTAGE RATING: 30 VAC  
 CONTACT RESISTANCE: 80 mΩ MAX.

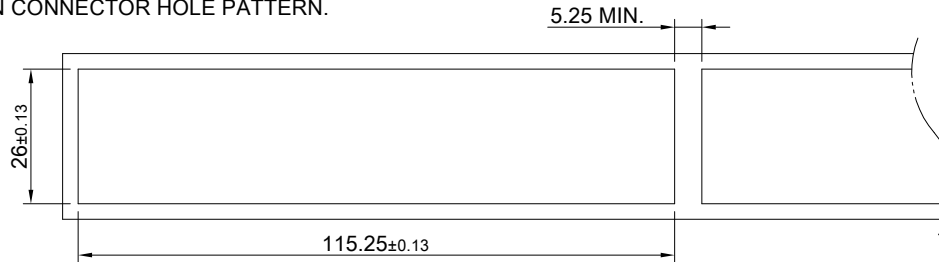
THIS PRINT IS  
**PRELIMINARY**  
 UNQUALIFIED PRODUCT  
 CONTACT PRODUCT ENGINEERING  
 BEFORE USING THIS PRINT



<b>TITLE:</b> Stacked SFP28 2X8 ASS'Y		<b>SHEET:</b> 1/2	<b>REV.</b> REF
<b>DWG#:</b> R-OP-0092X8-PP-F-N3-00-NO		<b>CHECKED:</b>	
<b>UNIT:</b> mm	<b>SCALE:</b> A4 4:5	<b>APPROVED:</b>	
<b>FINISH:</b>		<b>DATE:</b> 03/26/2024	
<b>MATERIAL:</b> RoHS Compliant		<b>DATE:</b>	
<b>TOLERANCE:</b> X.± 0.25 .X± 0.20 .XX± 0.15		<b>DATE:</b>	
<b>THIRD ANGLE PROJECTION</b>		<b>DATE:</b>	
<b>DRAWN:</b> Tony		<b>DATE:</b>	

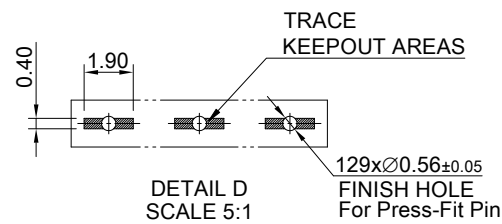


NOTE :  
 1.)THE ENTIRE AREA OF THE CONNECTOR FOOTPRINT, INDICATED BY THE DASHED LINE, TO BE CONSIDERED THE KEEPOUT AREA FOR COMPONENTS AND SIGNAL TRACES, TOP SIDE ONLY, TOP SIDE TRACES ALLOWED WITHIN CONNECTOR HOLE PATTERN.



THIS PRINT IS  
 PRELIMINARY  
 UNQUALIFIED PRODUCT  
 CONTACT PRODUCT ENGINEERING  
 BEFORE USING THIS PRINT

- T19 ○ T16 ○ T13 ○
- T20 ○ T17 ○ T14 ○ T11 ○
- T18 ○ T15 ○ T12 ○
  
- T2 ○ T5 ○ T8 ○
- T1 ○ T4 ○ T7 ○ T10 ○
- T3 ○ T6 ○ T9 ○
  
- L9 ○ L6 ○ L3 ○
- L10 ○ L7 ○ L4 ○ L1 ○
- L8 ○ L5 ○ L2 ○
  
- L12 ○ L15 ○ L18 ○
- L11 ○ L14 ○ L17 ○ L20 ○
- L13 ○ L16 ○ L19 ○



	TITLE: Stacked SFP28 2X8 ASS'Y		SHEET: 2/2	REV. REF
	DWG#: R-OP-0092X8-PP-F-N3-00-NO		CHECKED:	APPROVED:
	UNIT: mm	SCALE: A4 2:3	FINISH: RoHS Compliant	DATE: 03/26/2024
	TOLERANCE: X±0.15 .X±0.10 .XX±0.05		MATERIAL: RoHS Compliant	APPROVED:
	THIRD ANGLE PROJECTION		DRAWN: Tony	DATE: 03/26/2024