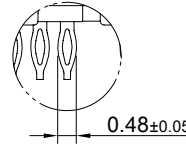
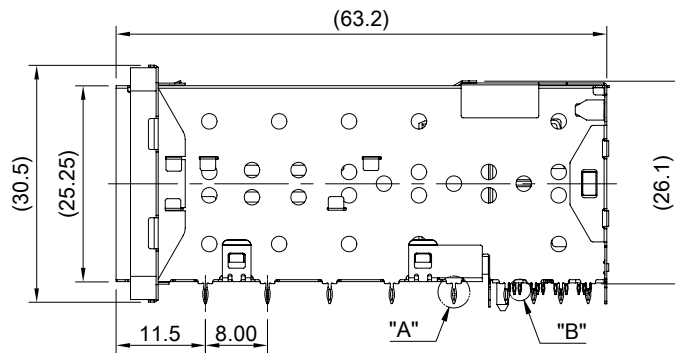
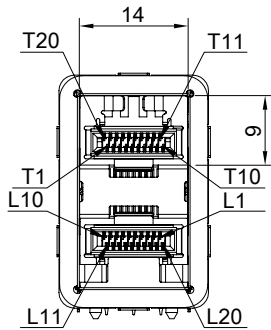
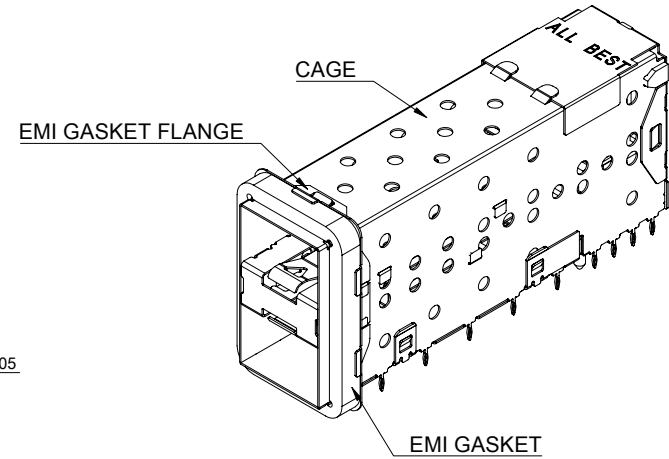


DETAIL A
SCALE 5:1



DETAIL B
SCALE 5:1



MATERIAL
 CAGE: NICKEL SILVER
 CONNECTOR HOUSING: THERMOPLASTIC, UL 94V-0
 CONNECTOR HOUSING SHIELD: STAINLESS STEEL
 CONTACTS: COPPER ALLOY
 EMI ELASTIC GASKET: CONDUCTIVE ELASTOMER
 EMI GASKET FLANGE: NICKEL SILVER

FINISH
 CONTACT: 15µ" MIN. GOLD ON MATING END;
 30µ" MIN. MATTE TIN ON TERMINATION END;
 ALL UNDERPLATED 50µ" MIN. NICKEL

ELECTRICAL CHARACTERISTICS
 CONTACT CURRENT RATING: 0.5 AMPERE
 DIELECTRIC WITHSTANDING VOLTAGE: 300 VAC
 VOLTAGE RATING: 30 VAC
 CONTACT RESISTANCE: 80 mΩ MAX.

THIS PRINT IS
PRELIMINARY
 UNQUALIFIED PRODUCT
 CONTACT PRODUCT ENGINEERING
 BEFORE USING THIS PRINT



| | | | |
|--|---------------|------------------|----------|
| TITLE: Stacked SFP28 2X1 ASS'Y | | | |
| DWG#: R-DP-0092X1-P-F-N3-00-NO | | SHEET: 1/2 | REV. REF |
| UNIT: mm | SCALE: A4 1:1 | CHECKED: | |
| TOLERANCE: X.± 0.25 .X± 0.20 .XX± 0.15 | | APPROVED: | |
| THIRD ANGLE PROJECTION | | DATE: 03/26/2024 | |
| MATERIAL: RoHS Compliant | | DRAWN: Tony | |

A B C D E F G H

1 1

2 2

3 3

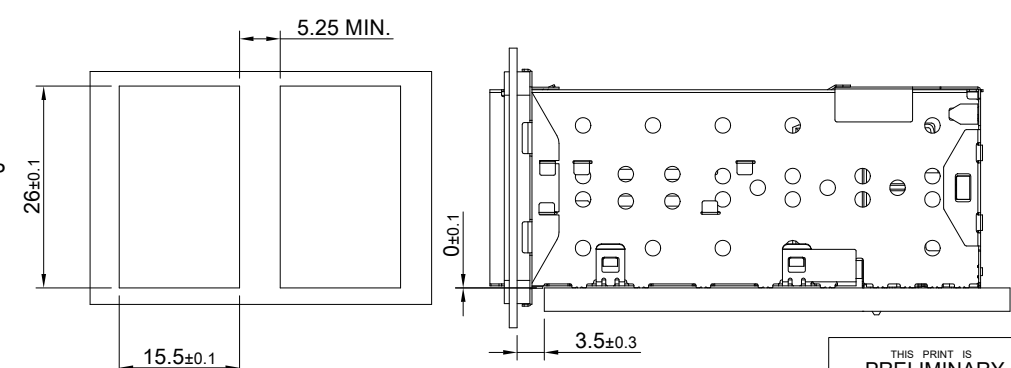
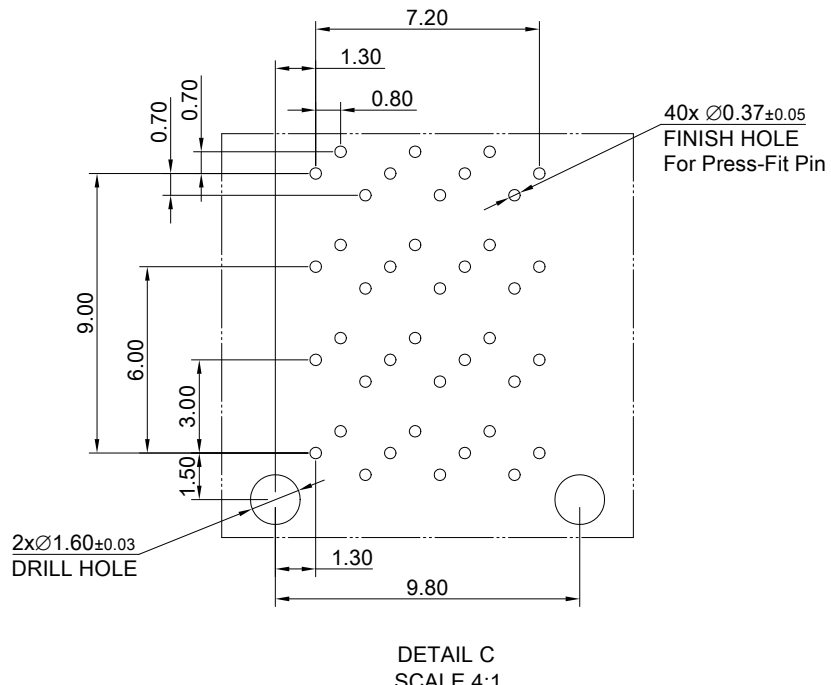
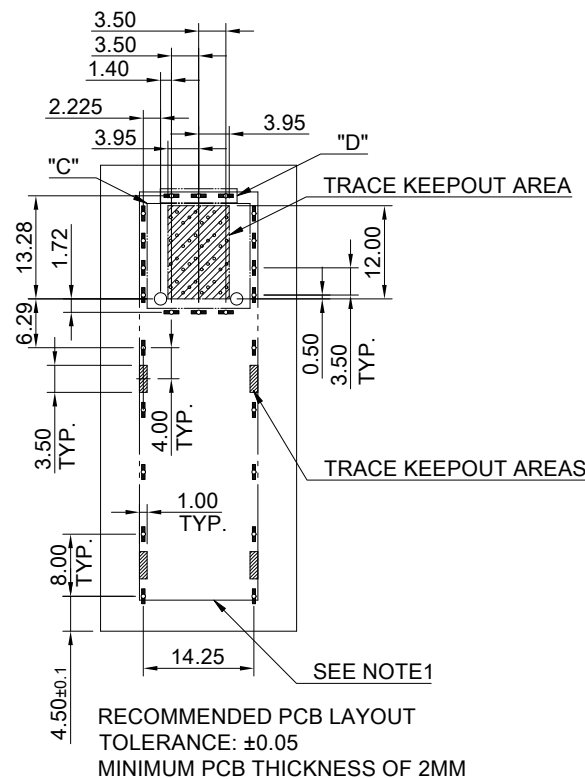
4 4

5 5

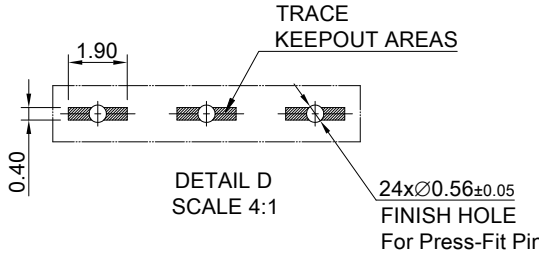
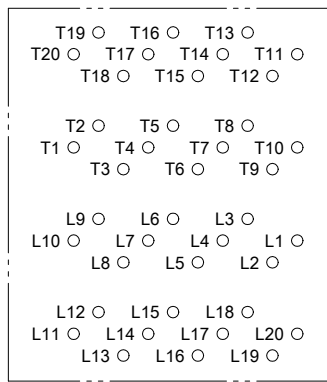
6 6

7 7

8 8



NOTE :
 1.)THE ENTIRE AREA OF THE CONNECTOR FOOTPRINT, INDICATED BY THE DASHED LINE, TO BE CONSIDERED THE KEEPOUT AREA FOR COMPONENTS AND SIGNAL TRACES, TOP SIDE ONLY, TOP SIDE TRACES ALLOWED WITHIN CONNECTOR HOLE PATTERN.



THIS PRINT IS
PRELIMINARY
 UNQUALIFIED PRODUCT
 CONTACT PRODUCT ENGINEERING
 BEFORE USING THIS PRINT

| | | | |
|---|--|--------------------------|------------------|
| ALL BEST ELECTRONICS CO., LTD. | TITLE: Stacked SFP28 2X1 ASS'Y w/ Light Pipe | | |
| | DWG#: R-DP-0092X1-P-F-N3-00-NO | | SHEET: 2/2 |
| | UNIT: mm | SCALE: A4 1:1 | REV. REF |
| | FINISH: RoHS Compliant | | CHECKED: |
| THIRD ANGLE PROJECTION | | MATERIAL: RoHS Compliant | APPROVED: |
| TOLERANCE: Angle: ± 1° X ± 0.15 .X ± 0.10 .XX ± 0.05 | | DRAWN: Tony | DATE: 03.26/2024 |

A B C D E F G H