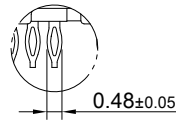
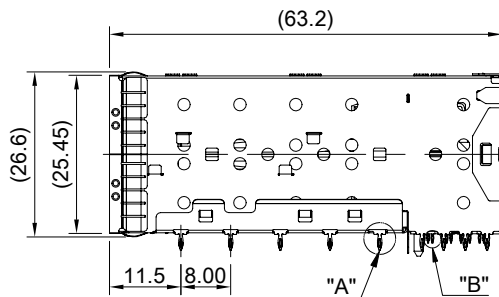
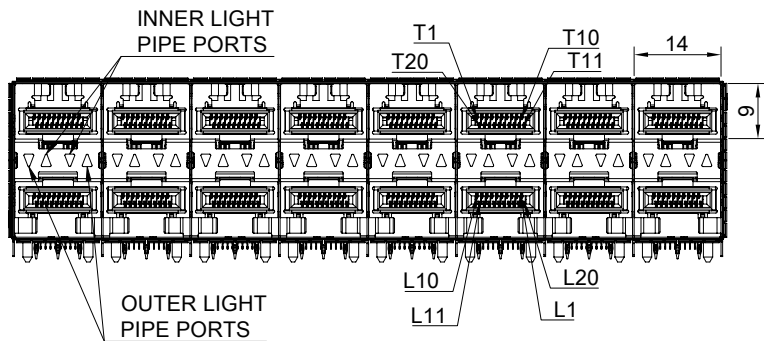
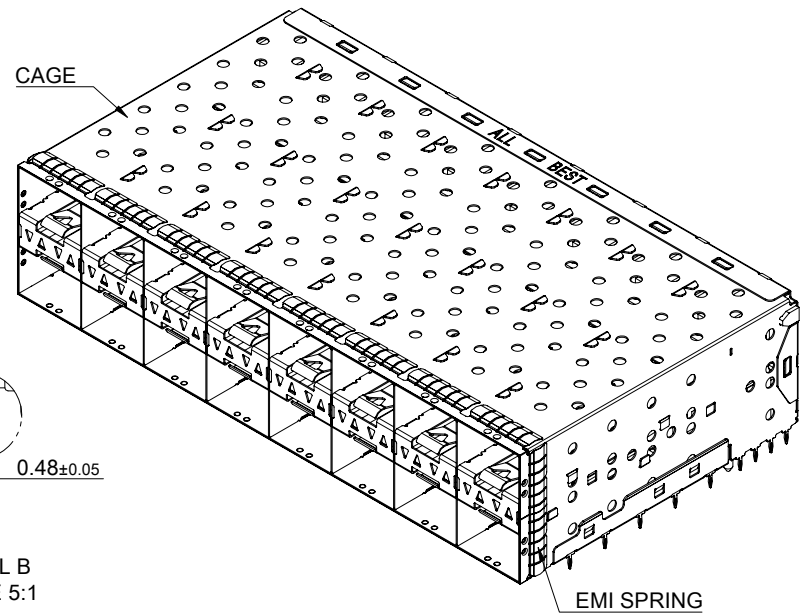


DETAIL A
SCALE 5:1



DETAIL B
SCALE 5:1



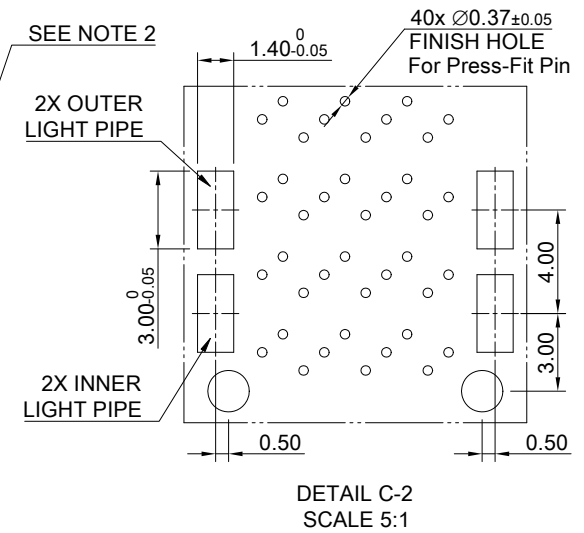
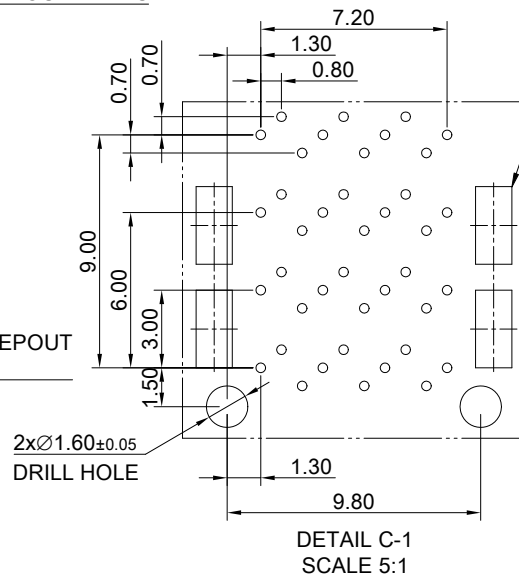
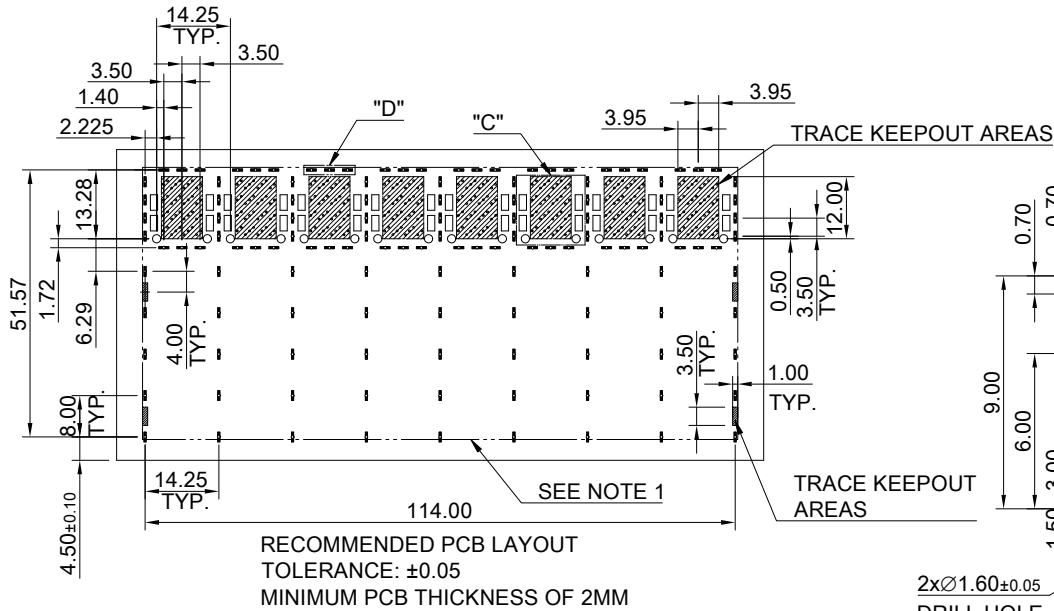
MATERIAL
 CAGE: NICKEL SILVER
 CONNECTOR HOUSING: THERMOPLASTIC, UL 94V-0
 CONNECTOR HOUSING SHIELD: STAINLESS STEEL
 CONTACTS: COPPER ALLOY
 EMI SPRING: STAINLESS STEEL
 LIGHT PIPE: PC (CLEAR)

FINISH
 CONTACT: 15µ" MIN. GOLD ON MATING END;
 30µ" MIN. MATTE TIN ON TERMINATION END;
 ALL UNDERPLATED 50µ" MIN. NICKEL

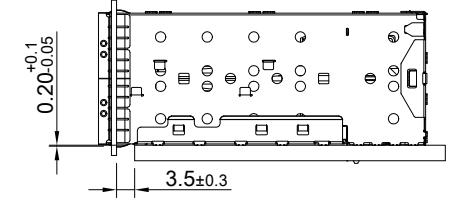
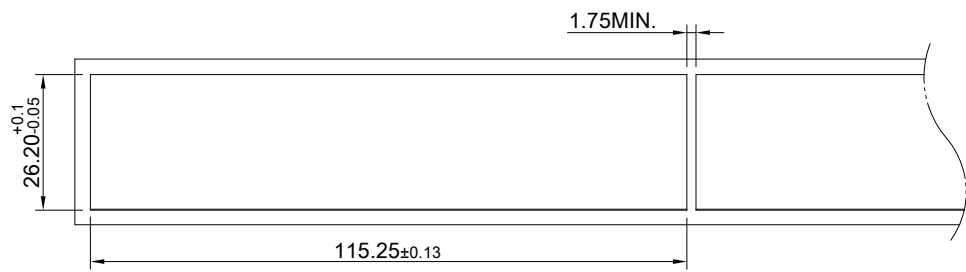
ELECTRICAL CHARACTERISTICS
 CONTACT CURRENT RATING: 0.5 AMPERE
 DIELECTRIC WITHSTANDING VOLTAGE: 300 VAC
 VOLTAGE RATING: 30 VAC
 CONTACT RESISTANCE: 80 mΩ MAX

 ALL BEST ELECTRONICS CO., LTD.	TITLE: Stacked SFP28 2X8 ASS'Y w/ Light Pipe		SHEET: 1/2	REV. REF
	DWG#: R-OP-0092X8-PP-F-N3-01-IO		CHECKED:	APPROVED:
UNIT: mm	SCALE: A4 1:1	FINISH:	DATE: 03/26/2024	
TOLERANCE: X±0.25 .X±0.20 .XX±0.15		MATERIAL: RoHS Compliant	DRAWN: Tony	
THIRD ANGLE PROJECTION				

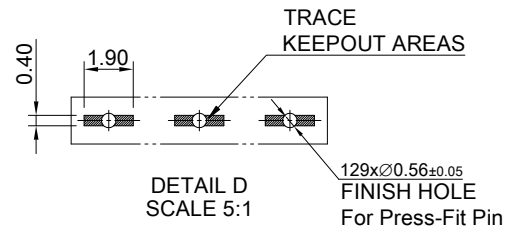
THIS PRINT IS
PRELIMINARY
 UNQUALIFIED PRODUCT
 CONTACT PRODUCT ENGINEERING
 BEFORE USING THIS PRINT



NOTE :
 1.)THE ENTIRE AREA OF THE CONNECTOR FOOTPRINT, INDICATED BY THE DASHED LINE, TO BE CONSIDERED THE KEEPOUT AREA FOR COMPONENTS AND SIGNAL TRACES, TOP SIDE ONLY, TOP SIDE TRACES ALLOWED WITHIN CONNECTOR HOLE PATTERN.
 2.)LIGHT PIPE PAD LAYOUT IS FOR 0805 LOW PROFILE LED PACKAGE WITH A HEIGHT OF 0.8mm



T19 ○	T16 ○	T13 ○
T20 ○	T17 ○	T14 ○
T18 ○	T15 ○	T12 ○
T2 ○	T5 ○	T8 ○
T11 ○	T4 ○	T7 ○
T3 ○	T6 ○	T9 ○
L9 ○	L6 ○	L3 ○
L10 ○	L7 ○	L4 ○
L8 ○	L5 ○	L2 ○
L12 ○	L15 ○	L18 ○
L11 ○	L14 ○	L17 ○
L13 ○	L16 ○	L19 ○



THIS PRINT IS PRELIMINARY UNQUALIFIED PRODUCT CONTACT PRODUCT ENGINEERING BEFORE USING THIS PRINT

	TITLE: Stacked SFP28 2X8 ASS'Y w/ Light Pipe		SHEET: 2/2	REV. REF
	DWG#: R-OP-0092X8-PP-F-N3-01-IO		CHECKED:	APPROVED:
	UNIT: mm	SCALE: A4 1:1	FINISH: RoHS Compliant	DATE: 03/26/2024
	TOLERANCE: Angle: ±1° X ± 0.15 .X ± 0.10 .XX ± 0.05		MATERIAL: RoHS Compliant	DRAWN: Tony