


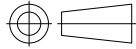
SCALE Z-Z

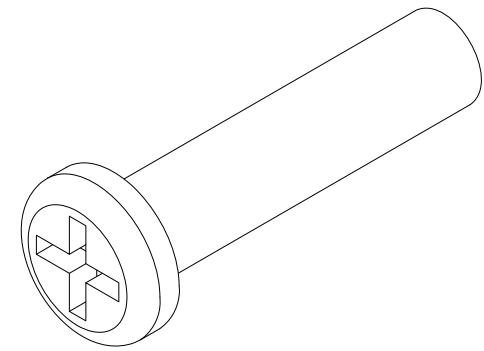
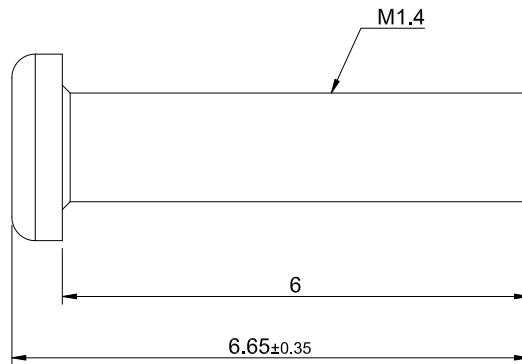
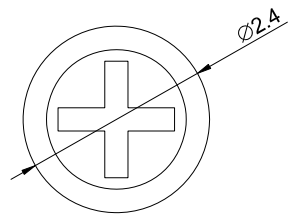
SCALE Y-Y

MATERIAL  
CONNECTOR COVER: ZINC ALLOY

FINISH  
CONNECTOR COVER: NICKEL PLATED


NOTE  
TWO MOUNTING SCREWS ARE USED WITH A CONNECTOR COVER .

	TITLE: CFP4 1X1 Connector Cover & Screws			
	DWG#: H-MG-CF6-2XB00		SHEET: 1/2	REV. A
	UNIT: mm	SCALE: A4 2:1	FINISH:	CHECKED: Gary Yang
	 THIRD ANGLE PROJECTION		MATERIAL: RoHS, HF Compliant	APPROVED: George Yang
TOLERANCE: Angle: ± 1° X: ± 0.25 .X: ± 0.20 .XX: ± 0.15		DRAWN: Ting	DATE: 10/04/2016	



MATERIAL  
SCREW: STEEL

FINISH  
SCREW: NICKEL PLATED

 <b>ALL BEST</b> ALL BEST ELECTRONICS CO., LTD.	TITLE: CFP4 1X1 Connector Cover & Screws		
	DWG#: H-MG-CF6-2XB00		SHEET: 2/2
	UNIT: mm	SCALE: A4 10:1	REV. A
	THIRD ANGLE PROJECTION		CHECKED: Gary Kang
TOLERANCE: Angle: ± 1°		MATERIAL: RoHS, HF Compliant	APPROVED: George Yang
X: ± 0.25 .X: ± 0.20 .XX: ± 0.15		DRAWN: Ting	DATE: 10/04/2016