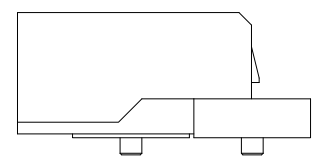
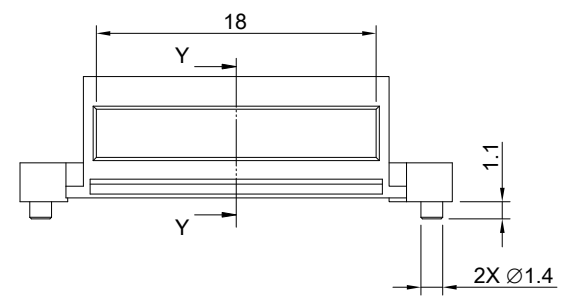
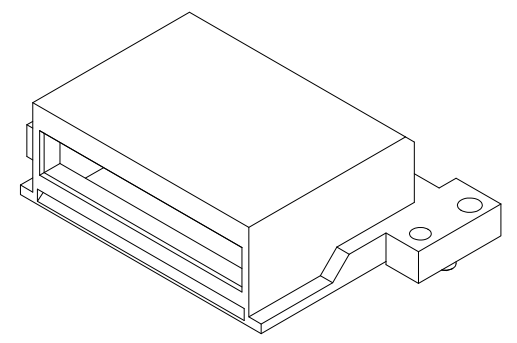


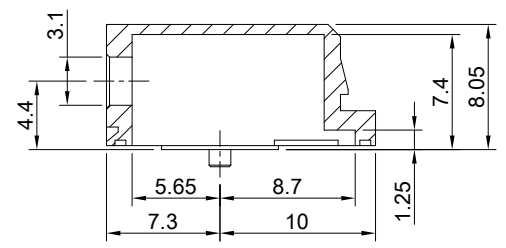
SCALE Z-Z



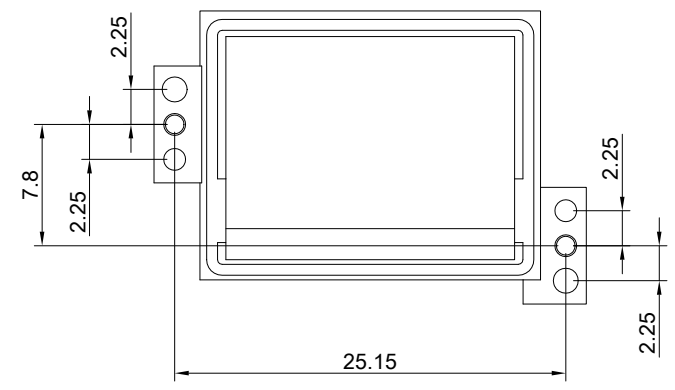
MATERIAL  
CONNECTOR COVER: ZINC ALLOY

FINISH  
CONNECTOR COVER: NICKEL PLATED

NOTE  
TWO MOUNTING SCREWS ARE USED WITH A CONNECTOR COVER AND PURCHASED SEPARATELY. (P/N: H-SW-CF6-4B00)  
SCREWS TIGHTENING TORQUE : 0.591 ~ 1.06 Kgf-cm



SCALE Y-Y



<p><b>ALL BEST</b> ELECTRONICS CO., LTD.</p>	TITLE: CFP4 1X1 Connector Cover		SHEET: 1/1	REV. B	
	DWG#: H-CO-CF6-2B04		CHECKED: Gary Kang		
	UNIT: mm	SCALE: A4 2:1	FINISH: RoHS, HF Compliant	APPROVED: George Yang	
	TOLERANCE: Angle: ± 1° X: ± 0.25 .X: ± 0.20 .XX: ± 0.15		DRAWN: Joe	DATE: 07/13/2023	